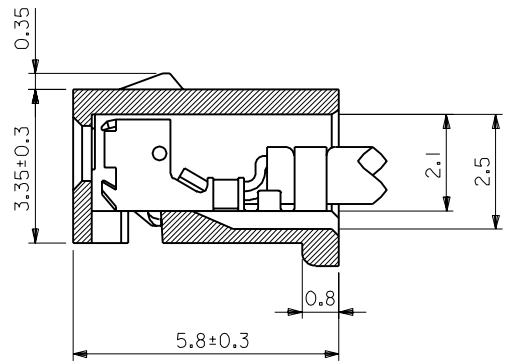
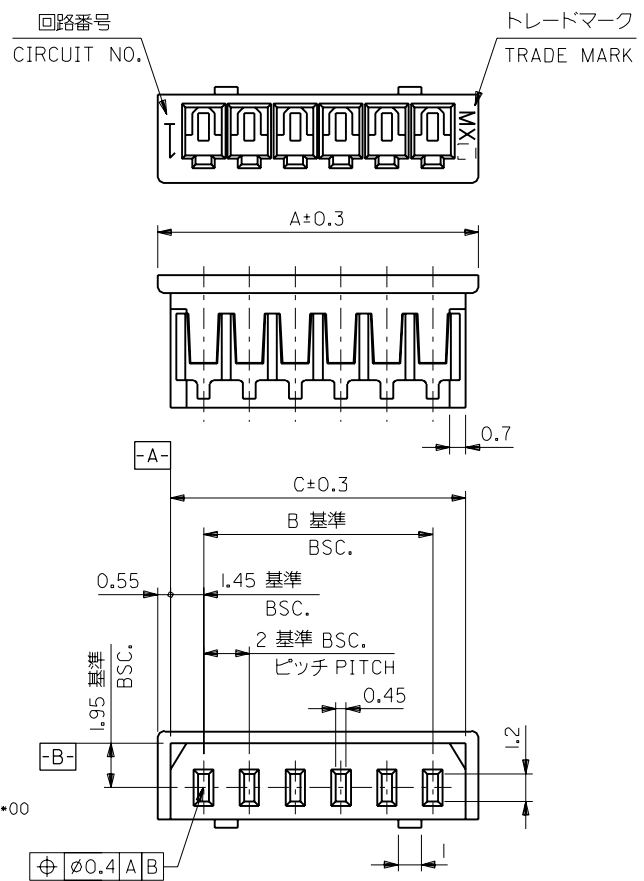


DWG. NO. SD-51004-***00



ターミナル装着状態
TERMINAL ASSEMBLY DRAWING
(10:1)

注)
NOTE.

1. 適合ターミナル : 50011-8**0
ACCEPTS TERMINAL

2. 嵌合相手 : 53014-***10
MATES WITH 53015-***10
53025-***10

2種の場合
IN CASE OF 2 CIRCUIT HSG.

32	30.9	28	51004-1500	15
30	28.9	26	-1400	14
28	26.9	24	-1300	13
26	24.9	22	-1200	12
24	22.9	20	-1100	11
22	20.9	18	-1000	10
20	18.9	16	-0900	9
18	16.9	14	-0800	8
16	14.9	12	-0700	7
14	12.9	10	-0600	6
12	10.9	8	-0500	5
10	8.9	6	-0400	4
8	6.9	4	-0300	3
6	4.9	2	51004-0200	2
A	C	B	ENG.NO.	極数 CIRCUIT

DO NOT SCALE DRAWING

EC NO. DRWN: CHK: APPR:	EC NO. DRWN: CHK: APPR:	EC NO. DRWN: CHK: APPR:	EC NO. DRWN: CHK: APPR:	REDRAWN EC NO. JC2000-0629 DRWN: K.KOHAMA CHK: T.YAMAGUCHI APPR: M.FUKUSHIMA	MATERIAL 材料 PBT. UL94V-0 POLYESTER UL94V-0	GENERAL TOLERANCES: (UNLESS SPECIFIED) 一般公差	SCALE 5:1	DESIGN UNITS <input checked="" type="checkbox"/> mm <input type="checkbox"/> INCH	THIRD ANGLE PROJECTION <input type="checkbox"/> mm <input type="checkbox"/> INCH <input checked="" type="checkbox"/> mm ONLY	TITLE: 2.0 LOW-PRO REC. HSG.	DIMENSIONS: SHT REV	REVISIONS: REVISE ON CAD ONLY
					FINISH 仕上り	10 UNDER 未満	+0.2	DRAWN BY & DATE K.KOHAMA 007/3/28				
					WIRE RANGE 適用電線番号	10 OVER 以上	+0.25	CHECKED BY & DATE T.YAMAGUCHI 007/3/30				
					INS. RANGE 被覆外径	30 OVER 以上	+0.3	APPROVED BY & DATE M.FUKUSHIMA 007/3/30				
						ANGLE 角度	+3*	CAD FILENAME S51004.S01	MATERIAL NO. 51004-***00	DRAWING NO. SD-51004-***00	SHEET NO. 1	SIZE B
THIS DRAWING CONTAINS INFORMATION THAT IS PROPRIETARY TO MOLEX INCORPORATED AND SHOULD NOT BE USED WITHOUT WRITTEN PERMISSION.												