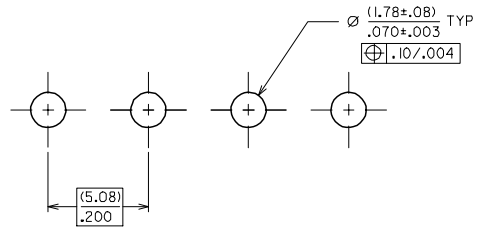
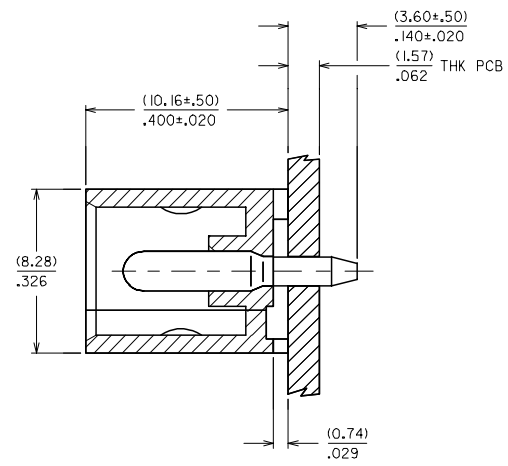
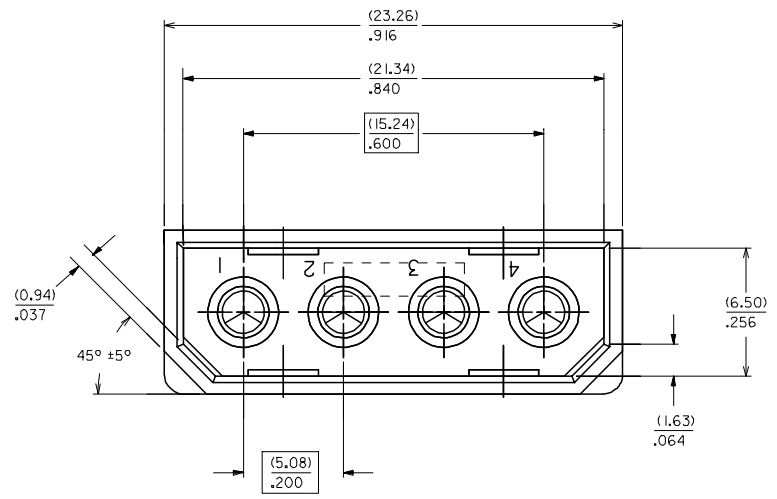


MAT'L NO.	ENG NO.	PLATING OPTION
15-24-4049	A-8981-4V	TIN/LEAD
15-24-4449	A-8981-4V-LF	TIN



RECOMMENDED P C B HOLE LAYOUT

NOTES:

- PART INTENDED FOR USE WITH PLUG PN: 8981-4P & 8981-4P2
- PRODUCT SPEC. 8981 APPLIES

MATERIAL :

HOUSING : NYLON, TYPE 6/6. 94V-2, COLOR - NATURAL
 TERMINAL : PHOSPHOR BRONZE, C51000
 PLATING : POSTPLATE (0.00254)/.000100 MIN. TIN/LEAD OR TIN OVER (0.00127)/.000050 MIN. NICKEL OVERALL

ADD ASSY P/N FOR LF EC NO: S2005-0209 DRAWN:KMG0H CHKD:PTLIM APPR:SCLOW	2004/09/28 2004/09/29 2004/09/29	QUALITY SYMBOLS ▽=0 ▽=0	GENERAL TOLERANCES (UNLESS SPECIFIED)		DIMENSION STYLE	SCALE	DESIGN UNITS	THIRD ANGLE PROJECTION				
					MM/IN	NTS	METRIC					
					mm	INCH	DRAWN BY		DATE		TITLE	
			4 PLACES	± ---	± ---	± ---	TAY	1989/05/26		SALES DRAWING HEADER, 4 CKTS VERTICAL MOUNT		
3 PLACES	± ---	± .008	± ---	CHECKED BY		DATE						
2 PLACES	± 0.20	± ---	± ---	NK		1989/05/26		MOLEX INCORPORATED				
1 PLACE	± ---	± ---	± ---	APPROVED BY		DATE						
			ANGULAR ± 3 °		AB		1989/05/26					
			DRAFT WHERE APPLICABLE MUST REMAIN WITHIN DIMENSIONS		MATERIAL NO.		DOCUMENT NO.		SHEET NO.			
					SEE TABLE		SDA-8981-4V		1 OF 1			
THIS DRAWING CONTAINS INFORMATION THAT IS PROPRIETARY TO MOLEX INCORPORATED AND SHOULD NOT BE USED WITHOUT WRITTEN PERMISSION												