

OPTION D

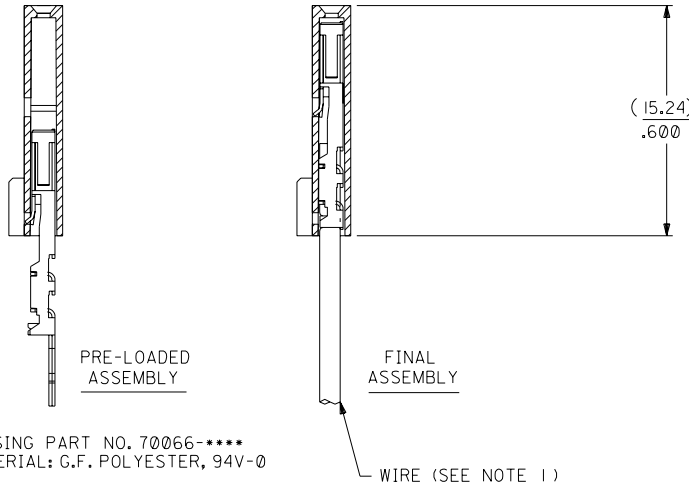
NOTES:

- TO BE USED WITH (22) AWG. STRANDED WIRE WITH (1.35)/.053 DIA. MAX. INSULATION.
- SEE CHART FOR CIRCUIT SIZES.
- STANDARD PACKAGING PER PK-70873-0001. OPTIONAL PACKAGING MAY BE AVAILABLE , REQUEST DWG. PK-70400
- PARTS STACKABLE END TO END ON (2.54)/.100 CENTERS.
- REFER TO PRODUCT SPECIFICATION: PS-70400.
- SEE DWG. SDA-70400-**** (SHT. 5) FOR OPTIONAL HOUSING DETAILS.
- 4 CIRCUIT SHOWN. 3 - 25 CKT'S. HAVE (2) RIBS.
- TO MATE WITH MOLEX PART NO'S.: 70004-****, 70013-****

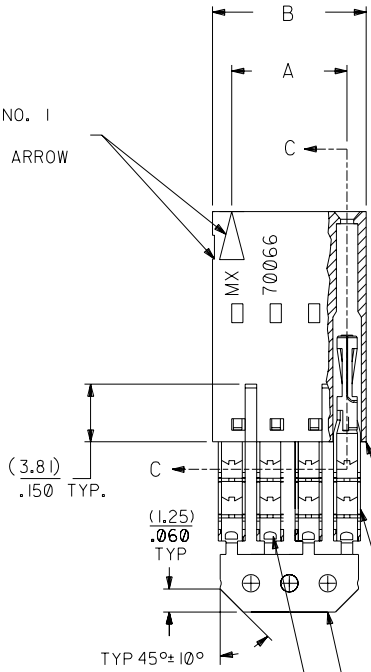
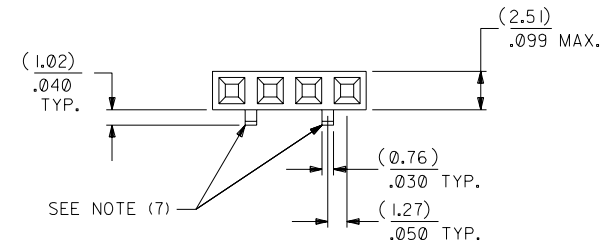
9) 2 CIRCUIT ASSEMBLIES SUPPLIED AS GROUPED PAIRS.



SECTION C-C



CIRCUIT NO. 1
SLOT OR ARROW



I.D. SLOT CODE TO WIRE GAUGE CHART

I.D. SLOT CODE	WIRE GAUGE
D	22 AWG.

PLATING CODE (STRIPE ON CARRIER STRIP)

PLATING	COLOR
30 GOLD	RED

TERMINAL PART NO. 70028-****
MATERIAL: PHOSPHOR BRONZE
PLATING PER ES-88-***

30 GOLD - .000030 MIN. GOLD IN SELECT AREA WITH .000075 MIN. TIN IN SELECT AREA OVER .000050 MIN. NICKEL OVER-ALL.

*THE PRIMARY SHIPPING CARTON WILL BE LABELED "COMPLIANT TO ROHS DIRECTIVE 2002/95/EC AND ELV ANNEX II OF DIRECTIVE 2000/53/EC". CARTONS WITHOUT THIS LABEL MAY CONTAIN PRODUCT WITH LEAD.

CKT. SIZE	A	B	EDP. NO.	ENG. NO.
2	(2.54) .100	(5.05) .199	14-56-8021	A-70400-3420
3	(5.08) .200	(7.59) .299	14-56-8031	A-70400-3421
4	(7.62) .300	(10.13) .399	14-56-8041	A-70400-3422
5	(10.16) .400	(12.67) .499	14-56-8051	A-70400-3423
6	(12.70) .500	(15.21) .599	14-56-8061	A-70400-3424
7	(15.24) .600	(17.75) .699	14-56-8071	A-70400-3425
8	(17.78) .700	(20.29) .799	14-56-8081	A-70400-3426
9	(20.32) .800	(22.83) .899	14-56-8091	A-70400-3427
10	(22.86) .900	(25.37) .999	14-56-8101	A-70400-3428
11	(25.54) 1.000	(27.91) 1.099	14-56-8111	A-70400-3429
12	(27.94) 1.100	(30.45) 1.199	14-56-8121	A-70400-3430
13	(30.48) 1.200	(32.99) 1.299	14-56-8131	A-70400-3431
14	(33.02) 1.300	(35.53) 1.399	14-56-8141	A-70400-3432
15	(35.56) 1.400	(38.07) 1.499	14-56-8151	A-70400-3433
16	(38.01) 1.500	(40.61) 1.599	14-56-8161	A-70400-3434
17	(40.64) 1.600	(43.15) 1.699	14-56-8171	A-70400-3435
18	(43.18) 1.700	(45.69) 1.799	14-56-8181	A-70400-3436
19	(45.72) 1.800	(48.23) 1.899	14-56-8191	A-70400-3437
20	(48.26) 1.900	(50.77) 1.999	14-56-8201	A-70400-3438
21	(50.80) 2.000	(53.31) 2.099	14-56-8211	A-70400-3439
22	(53.34) 2.100	(55.85) 2.199	14-56-8221	A-70400-3440
23	(55.88) 2.200	(58.39) 2.299	14-56-8231	A-70400-3441
24	(58.42) 2.300	(60.93) 2.399	14-56-8241	A-70400-3442
25	(60.96) 2.400	(63.47) 2.499	14-56-8251	A-70400-3443

LT.	REVISIONS	LT.	REVISIONS

DRWG. BY	CHK'D. BY	SCALE
AAB	WAZ	4:1

DIMENSIONS SHOWN (METRIC) INCH UNLESS OTHERWISE SPECIFIED TOLERANCES: ANGULAR ± 1/2°		REVISE ONLY ON CAD SYSTEM	
3 PLACE ± .010	INCH	TITLE	
2 PLACE ± .014 ± 0.25	METRIC	ASSEMBLY, SL CONNECTOR (SINGLE ROW- (2.54)/.100 GRID)	
1 PLACE --- ± 0.35		MOLEX INCORPORATED SHEET NO. DATE 10/26/87	
DRAFT WHERE APPLICABLE MUST REMAIN WITHIN DIMENSIONS		PART NO. SDA-70400-3420-3443	
THIS DRAWING CONTAINS INFORMATION THAT IS PROPRIETARY TO MOLEX INC. AND SHOULD NOT BE USED WITHOUT WRITTEN PERMISSION.		DIV. DA	