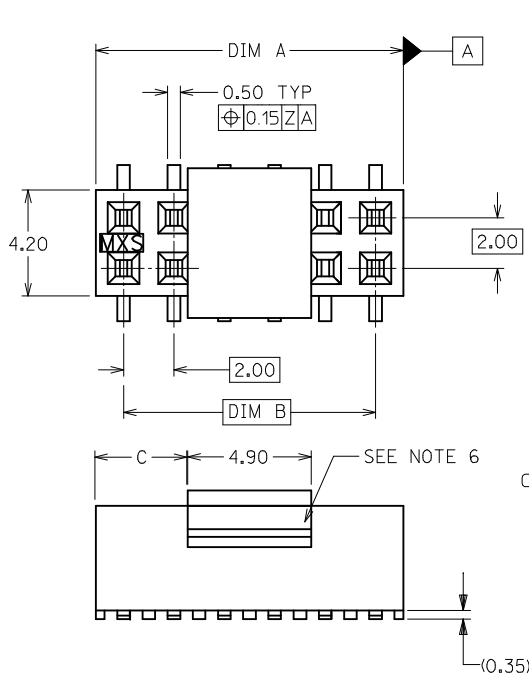


10 9 8 7 6 5 4 3 2 1

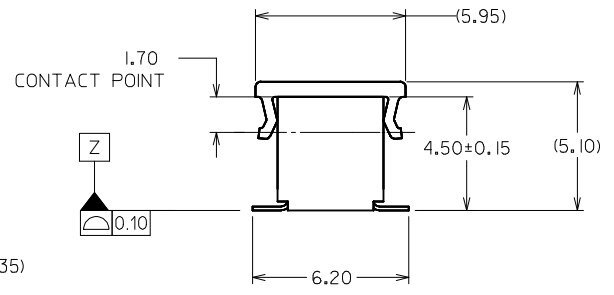


PART NO. LEGEND  
FOR TUBE PACKAGING ONLY

87381 - \* \* \* \*

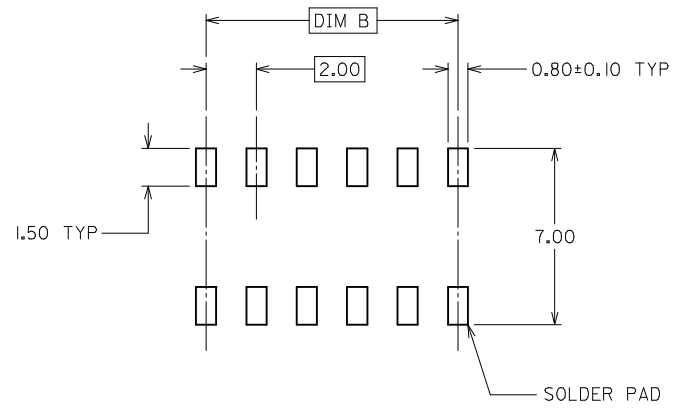
CIRCUIT SIZE ——— PLATING (SEE NOTE 1)  
3  
4

6 COVER  
7 NO COVER



| PART NUMBER<br>(SEE NOTE 5) | CKT.<br>SIZE | DIM A | DIM B | DIM C |
|-----------------------------|--------------|-------|-------|-------|
| 87381-06**                  | 6            | 6.00  | 4.00  | 0.55  |
| 87381-08**                  | 8            | 8.00  | 6.00  | 1.55  |
| 87381-10**                  | 10           | 10.00 | 8.00  | 2.55  |
| 87381-12**                  | 12           | 12.00 | 10.00 | 3.55  |
| 87381-14**                  | 14           | 14.00 | 12.00 | 4.55  |
| 87381-16**                  | 16           | 16.00 | 14.00 | 5.55  |
| 87381-18**                  | 18           | 18.00 | 16.00 | 6.55  |
| 87381-20**                  | 20           | 20.00 | 18.00 | 7.55  |
| 87381-22**                  | 22           | 22.00 | 20.00 | 8.55  |
| 87381-24**                  | 24           | 24.00 | 22.00 | 9.55  |
| 87381-26**                  | 26           | 26.00 | 24.00 | 10.55 |
| 87381-28**                  | 28           | 28.00 | 26.00 | 11.55 |
| 87381-30**                  | 30           | 30.00 | 28.00 | 12.55 |
| 87381-32**                  | 32           | 32.00 | 30.00 | 13.55 |
| 87381-34**                  | 34           | 34.00 | 32.00 | 14.55 |
| 87381-36**                  | 36           | 36.00 | 34.00 | 15.55 |
| 87381-38**                  | 38           | 38.00 | 36.00 | 16.55 |
| 87381-40**                  | 40           | 40.00 | 38.00 | 17.55 |
| 87381-42**                  | 42           | 42.00 | 40.00 | 18.55 |
| 87381-44**                  | 44           | 44.00 | 42.00 | 19.55 |
| 87381-46**                  | 46           | 46.00 | 44.00 | 20.55 |
| 87381-48**                  | 48           | 48.00 | 46.00 | 21.55 |
| 87381-50**                  | 50           | 50.00 | 48.00 | 22.55 |

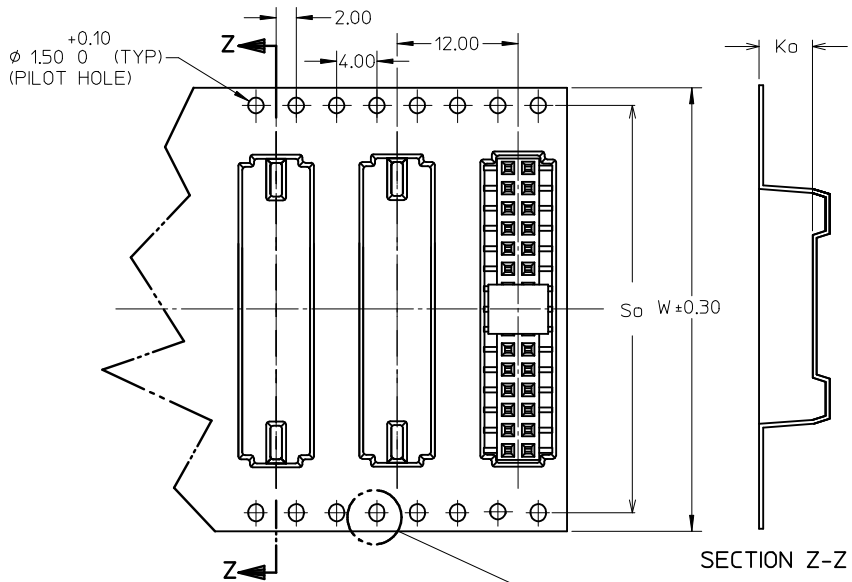
- NOTES:
- PLATING FINISH:
    - 3 - 0.76um MIN. GOLD IN CONTACT AREA 1.27um MIN. TIN IN SOLDER TAIL AREA BOTH OVER 1.27um MIN. NICKEL OVERALL
    - 4 - 0.38um MIN. GOLD IN CONTACT AREA 1.27um MIN. TIN IN SOLDER TAIL AREA BOTH OVER 1.27um MIN. NICKEL OVERALL
  - 12 CKT SIZE SHOWN FOR ASSY ILLUSTRATION ONLY. (SEE CHART FOR ALL PART SIZES), 6 CKT & 30 CKT ILLUSTRATED FOR TAPE/REEL VERSION ON SHT 2.
  - PRODUCT SPECIFICATION PS-87380 APPLIES.
  - COPLANARITY OF SOLDER TAILS ARE TO BE MEASURED BY RESTING THE PART ON A FLAT GAUGE SURFACE.
  - TUBE PACKAGING STANDARD.
  - COVER IS OPTIONAL, SEE LEGEND.
  - PARTS SHALL BE PACKED IN MOISTURE BARRIER BAG.
  - REFER SHT 3 FOR P/N: 87381-6000 T&R ILLUSTRATION.



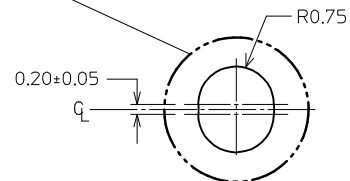
RECOMMENDED PCB LAYOUT

|   |                               |                                       |              |   |              |              |   |                        |  |  |
|---|-------------------------------|---------------------------------------|--------------|---|--------------|--------------|---|------------------------|--|--|
| ADD P/N: 87381-3200<br>EC NO: S2009-0725<br>DRWN:SKANG 2009/04/07<br>CHKD:ATSEE 2009/04/06<br>APPR:MLONG 2009/04/07 | QUALITY SYMBOLS<br>▽=0<br>◻=0 | GENERAL TOLERANCES (UNLESS SPECIFIED) |              | DIMENSION STYLE<br>MM ONLY  |              | SCALE<br>NTS | DESIGN UNITS<br>METRIC                      | THIRD ANGLE PROJECTION |  |  |
|   |                               |                                       | mm           | INCH  | DRAWN BY     | DATE         | TITLE                                       |                        |  |  |
|   |                               | 4 PLACES                              | ± ---        | ± ---   | JAMES        | 1998/01/08   | MGRID, TOP ENTRY RECEPT.<br>4.50MM HT., SMT |                        |  |  |
|   |                               | 3 PLACES                              | ± ---        | ± ---   | CHECKED BY   | DATE         | MOLEX INCORPORATED                          |                        |  |  |
|   | 2 PLACES                      | ± 0.20                                | ± ---        | LCHANG  | 1999/04/23   | DOCUMENT NO. |   |                        |  |  |
|   | 1 PLACE                       | ± ---                                 | ± ---        | APPROVED BY   | DATE         | SHEET NO.    |   |                        |  |  |
|   | ANGULAR ± 3 °                 |                                       | MATERIAL NO. |   | DOCUMENT NO. |              | SHEET NO.                                   |                        |  |  |
| DRAFT WHERE APPLICABLE MUST REMAIN WITHIN DIMENSIONS  |                               | SEE TABLE                             |              | SD-87381-***6*  |              | 1 OF 4       |   |                        |  |  |
|   |                               | SIZE A3                               |              | THIS DRAWING CONTAINS INFORMATION THAT IS PROPRIETARY TO MOLEX INCORPORATED AND SHOULD NOT BE USED WITHOUT WRITTEN PERMISSION |              |              |   |                        |  |  |

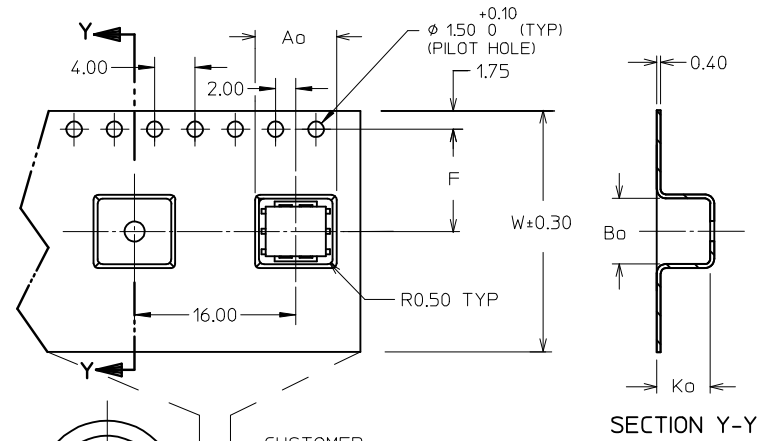
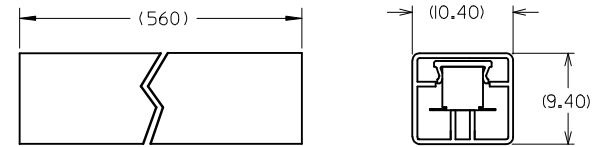
9 8 7 6 5 4 3 2 1



30 CKT FOR ILLUSTRATION ONLY  
TAPE & REEL TYPE 'B'



CONNECTOR ORIENTATION  
IN TUBE



6 CKT FOR ILLUSTRATION ONLY  
TAPE & REEL TYPE 'A'

NOTES:

- LEADER AND TRAILER TAPE
- PEELING OFF FORCE OF THE TOP TAPE: 20-80gf.  
(PEELING DIRECTION AS SHOWN IN FOLLOWING FIGURE)
- PACKAGING STANDARD IS AS PER EIA-481.
- TAPE & REEL QUANTITY = SEE TABLE

|                     |            |
|---------------------|------------|
| ADD P/N: 87381-3200 | 2009/04/07 |
| EC NO: S2009-0725   | 2009/04/07 |
| DRWN:SKANG          | 2009/04/06 |
| CHKD:ATSEE          | 2009/04/06 |
| APPR:MLONG          | 2009/04/07 |

| REV | DESCRIPTION |
|-----|-------------|
| 8   |             |

| QUALITY SYMBOLS |     |
|-----------------|-----|
|                 | = 0 |
|                 | = 0 |

| GENERAL TOLERANCES (UNLESS SPECIFIED) |              |
|---------------------------------------|--------------|
| mm                                    | INCH         |
| 4 PLACES                              | ± --- ± ---  |
| 3 PLACES                              | ± --- ± ---  |
| 2 PLACES                              | ± 0.20 ± --- |
| 1 PLACE                               | ± --- ± ---  |
| ANGULAR ± 3 °                         |              |

|                            |                    |   |                        |                        |
|----------------------------|--------------------|---|------------------------|------------------------|
| DIMENSION STYLE<br>MM ONLY |                    | SCALE<br>NTS  | DESIGN UNITS<br>METRIC | THIRD ANGLE PROJECTION |
| DRAWN BY<br>JAMES          | DATE<br>1998/01/08 | TITLE<br>MGRID, TOP ENTRY RECEPT.<br>4.50MM HT., SMT  |                        |                        |
| CHECKED BY<br>LCHANG       | DATE<br>1999/04/23 | MOLEX INCORPORATED  |                        |                        |
| APPROVED BY<br>SQUEK       | DATE<br>1999/04/26 | DOCUMENT NO.<br>SD-87381-***6*  | SHEET NO.<br>2 OF 4    |                        |
| MATERIAL NO.<br>SEE TABLE  |                    | THIS DRAWING CONTAINS INFORMATION THAT IS PROPRIETARY TO MOLEX INCORPORATED AND SHOULD NOT BE USED WITHOUT WRITTEN PERMISSION |                        |                        |

10 9 8 7 6 5 4 3 2 1

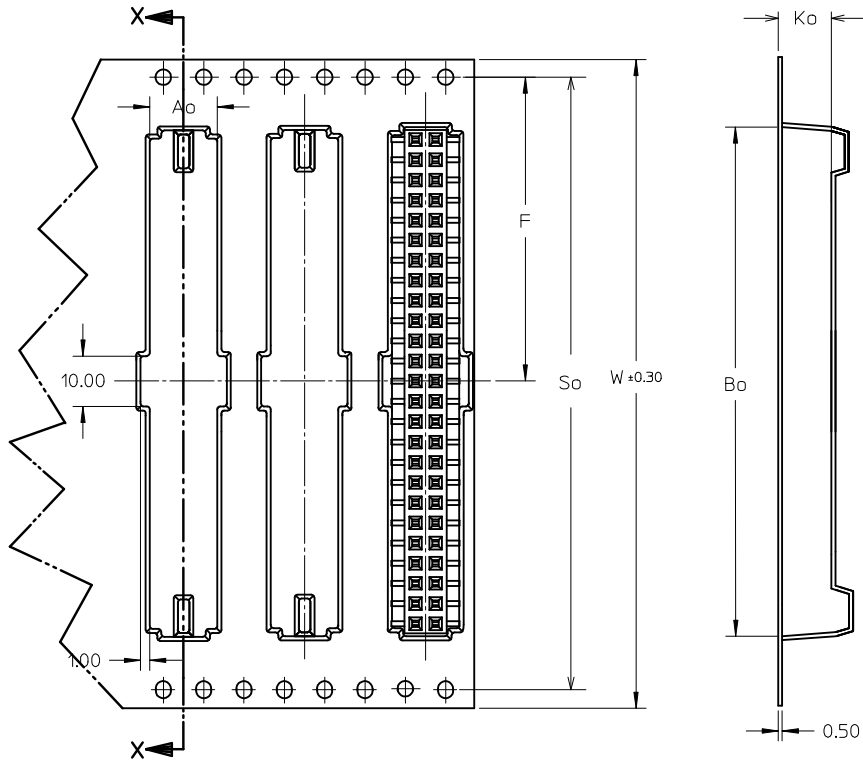
| CKT SIZE | PART NO. WITH CAP IN TUBE | PART NO. WITH CAP IN TAPE / REEL | W  | So    | Ao   | F     | Bo    | Ko   | T&R TYPE (SHT 2) | T&R QTY PER REEL |
|----------|---------------------------|----------------------------------|----|-------|------|-------|-------|------|------------------|------------------|
| 6        | 87381-0664                | 87381-9002                       | 24 | -     | 7.00 | 11.50 | 6.50  | 5.30 | A                | 500              |
| 8        | 87381-0864                | 87381-9003                       | 24 | -     | 7.00 | 11.50 | 8.50  | 5.30 | A                | 600              |
| 10       | 87381-1064                | 87381-9005                       | 24 | -     | 7.00 | 11.50 | 10.50 | 5.30 | A                | 680              |
| 14       | 87381-1464                | 87381-9006                       | 32 | 28.40 | 7.20 | 14.20 | 14.50 | 5.30 | B                | 750              |
| 16       | 87381-1664                | 87381-9004                       | 32 | 28.40 | 7.20 | 14.20 | 16.50 | 5.30 | B                | 800              |
| 18       | 87381-1864                | 87381-1800                       | 32 | 28.40 | 7.20 | 14.20 | 18.50 | 5.30 | B                | 750              |
| 20       | 87381-2063                | 87381-2000                       | 32 | 28.40 | 7.20 | 14.20 | 20.50 | 5.30 | B                | 800              |
| 22       | 87381-2264                | 87381-2200                       | 44 | 40.40 | 7.20 | 20.20 | 22.50 | 5.30 | B                | 500              |
| 30       | 87381-3064                | 87381-3000                       | 44 | 40.40 | 7.20 | 20.20 | 30.50 | 5.30 | B                | 500              |
| 32       | 87381-3264                | 87381-3200                       | 44 | 40.40 | 7.20 | 20.20 | 32.50 | 5.30 | B                | 500              |
| 44       | 87381-4464                | 87381-4400                       | 56 | 52.40 | 7.20 | 26.20 | 44.50 | 5.30 | B                | 500              |
| 46       | 87381-4664                | 87381-4600                       | 72 | 68.40 | 7.20 | 34.20 | 46.50 | 5.30 | B                | 750              |
| 50       | 87381-5063                | 87381-5030                       | 72 | 68.40 | 7.20 | 34.20 | 50.50 | 5.30 | B                | 500              |
| 50       | 87381-5064                | 87381-5000                       | 72 | 68.40 | 7.20 | 34.20 | 50.50 | 5.30 | B                | 500              |

|  |  |                    |   |   |                                      |                     |              |   |       |   |
|--|--|--------------------|---|---|--------------------------------------|---------------------|--------------|---|-------|---|
| ADD P/N: 87381-3200<br>EC NO: S2009-0725<br>DRWN:SKANG<br>CHKD:ATSEE<br>APPR:MLONG | 2009/04/07<br>2009/04/06<br>2009/04/07 | DESCRIPTION<br>REV | QUALITY SYMBOLS   | GENERAL TOLERANCES (UNLESS SPECIFIED)   | DIMENSION STYLE                      | SCALE               | DESIGN UNITS | THIRD ANGLE PROJECTION  |       |   |
|  |  |                    | $\nabla = 0$<br>$\square = 0$   | mm      INCH<br>4 PLACES ± --- ± ---<br>3 PLACES ± --- ± ---<br>2 PLACES ± 0.20 ± ---<br>1 PLACE ± --- ± ---<br>ANGULAR ± 3 ° | MM ONLY                              | NTS                 | METRIC       | DRAWN BY      DATE<br>JAMES          1998/01/08<br>CHECKED BY      DATE<br>LCHANG          1999/04/23<br>APPROVED BY      DATE<br>SQUEK            1999/04/26 | TITLE | MGRID, TOP ENTRY RECEPT.<br>4.50MM HT., SMT |
|  |  |                    | DRAFT WHERE APPLICABLE MUST REMAIN WITHIN DIMENSIONS  | SEE TABLE   | MOLEX INCORPORATED<br>SD-87381-***6* | SHEET NO.<br>3 OF 4 |              |   |       |   |
|  |  |                    | THIS DRAWING CONTAINS INFORMATION THAT IS PROPRIETARY TO MOLEX INCORPORATED AND SHOULD NOT BE USED WITHOUT WRITTEN PERMISSION |   |                                      |                     |              |   |       |   |

9 8 7 6 5 4 3 2 1

| CKT SIZE | PART NO. WITHOUT CAP IN TUBE | PART NO. WITHOUT CAP IN TAPE / REEL | W  | So    | Ao   | F     | Bo    | Ko   | T&R TYPE (SHT 2) | T&R QTY PER REEL |
|----------|------------------------------|-------------------------------------|----|-------|------|-------|-------|------|------------------|------------------|
| 50       | 87381-5074                   | 87381-6000 $\triangle/8$            | 72 | 68.40 | 6.80 | 34.20 | 50.50 | 8.00 | B                | 500              |

$\triangle/8$  ILLUSTRATION FOR P/N: 87381-6000  
50 CKT IN T&R W/O CAP



SECTION X-X

|   |  |                                       |  |                            |                      |                    |   |                        |  |  |
|---|--|---------------------------------------|--|----------------------------|----------------------|--------------------|---|------------------------|--|--|
| ADD P/N: 87381-3200<br>EC NO: S2009-0725<br>DRWN:SKANG 2009/04/07<br>CHKD:ATSEE 2009/04/06<br>APPR:MLONG 2009/04/07 | QUALITY SYMBOLS<br>$\nabla=0$<br>$\square=0$ | GENERAL TOLERANCES (UNLESS SPECIFIED) |  | DIMENSION STYLE<br>MM ONLY |                      | SCALE<br>NTS       | DESIGN UNITS<br>METRIC  | THIRD ANGLE PROJECTION |  |  |
|   |  |                                       | mm   | INCH                       | DRAWN BY<br>JAMES    | DATE<br>1998/01/08 | TITLE<br>MGRID, TOP ENTRY RECEPT.<br>4.50MM HT., SMT  |                        |  |  |
|   |  | 4 PLACES                              | ± ---  | ± ---                      | CHECKED BY<br>LCHANG | DATE<br>1999/04/23 | MOLEX INCORPORATED<br>DOCUMENT NO. SD-87381-***6*<br>SHEET NO. 4 OF 4   |                        |  |  |
|   |  | 3 PLACES                              | ± ---  | ± ---                      | APPROVED BY<br>SQUEK | DATE<br>1999/04/26 |   |                        |  |  |
| 2 PLACES  | ± 0.20                                       | ± ---                                 | ANGULAR ± 3 °  |                            | MATERIAL NO.         |                    | SEE TABLE   |                        |  |  |
| 1 PLACE   | ± ---  | ± ---                                 | DRAFT WHERE APPLICABLE MUST REMAIN WITHIN DIMENSIONS |                            | SIZE<br>A3           |                    | THIS DRAWING CONTAINS INFORMATION THAT IS PROPRIETARY TO MOLEX INCORPORATED AND SHOULD NOT BE USED WITHOUT WRITTEN PERMISSION |                        |  |  |