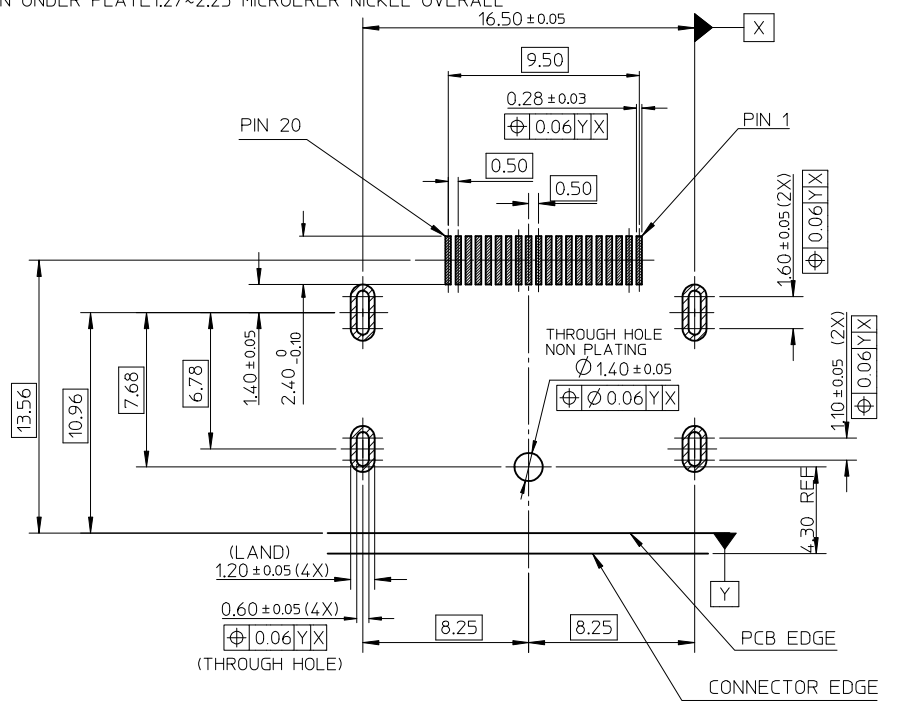
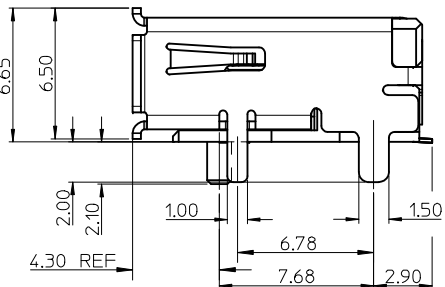
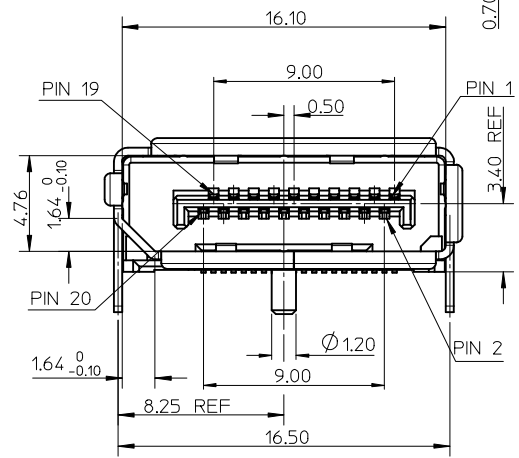
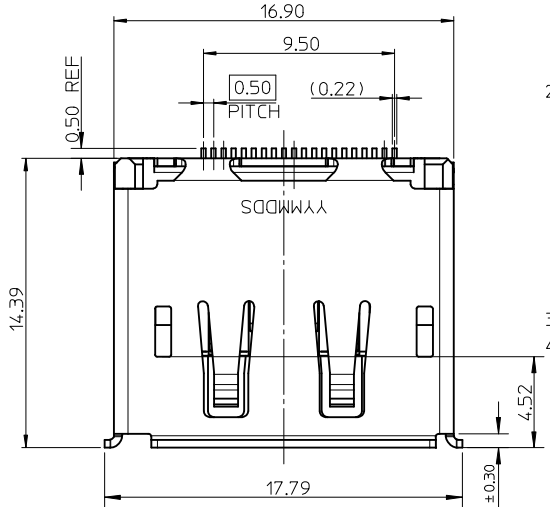
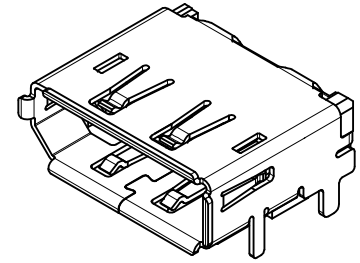


NOTES:

1. MATERIAL:
HOUSING: HIGH TEMPERATURE THERMAL PLASTIC, BLACK, 30% GLASS FILLED, UL94V-0.
TERMINAL: COPPER ALLOY.
SHELL: COPPER ALLOY.
2. PLATING:
TERMINAL: CONTACT AREA(10.76 MICROMETER GOLD PLATING
(2)0.38 MICROMETER GOLD PLATING
(3)GOLD FLASH PLATING
(4)0.64MIN. MICROMETER PALLADIUM/NICKEL AND GOLD FLASH PLATING
AND SOLDER TAIL 1~3 MICROMETER TIN BISMUTH UNDER PLATE1~3 MICROMETER NICKEL PLATING OVERALL.
SHELL:(a)1.27~2.54 MICROETER SOLDERABLE NICKEL PLATING OVERALL.
(b)SHELL PEG SOLDERING SURFACE PLATE GOLD FLASH UNDER PLATE1~3 MICROMETER NICKEL PLATING OVERALL.
(c) SHELL PLATE 2.1~3.0 MICROMETER TIN UNDER PLATE1.27~2.25 MICROERER NICKEL OVERALL
3. SOLDERTAIL COPLANARITY 0.10 MAX.
4. PS REFER TO PS-47272-001



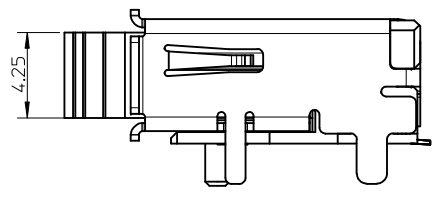
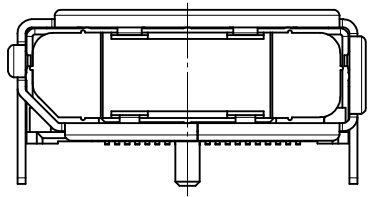
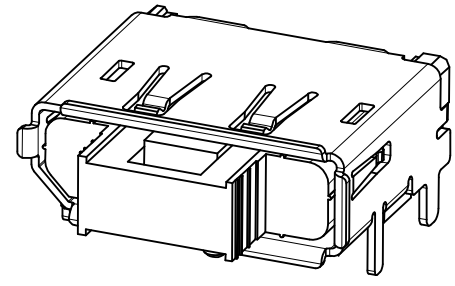
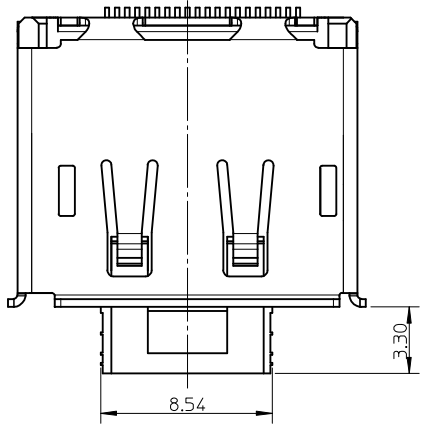
RECOMMENDED PCB LAYOUT(THICKNESS=1.6±0.15)



<p>NEW RELEASE</p> <p>EC NO: SH2009-0189</p> <p>DRW:BBLY 2008/09/25</p> <p>CHKD:RZHANG 2008/09/26</p> <p>APPR:HWANG 2008/10/28</p> <p>A6</p>	<p>QUALITY SYMBOLS</p> <p>▽=0</p> <p>∇=0</p> <p>DESCRIPTION</p>	<p>GENERAL TOLERANCES (UNLESS SPECIFIED)</p>		<p>DIMENSION STYLE</p> <p>MM ONLY</p>		<p>SCALE</p> <p>1:1</p>	<p>DESIGN UNITS</p> <p>METRIC</p>	<p>THIRD ANGLE PROJECTION</p>		
		<p>4 PLACES</p>	<p>mm</p>	<p>INCH</p>	<p>DRAWN BY</p> <p>RZHANG</p>	<p>DATE</p> <p>2005/07/01</p>	<p>TITLE</p> <p>10MM PITCH DISPLAY PORT RECEPTACLE ASSEMBLY</p>			
		<p>3 PLACES</p>	<p>± ---</p>	<p>± ---</p>	<p>CHECKED BY</p> <p>IWANG</p>	<p>DATE</p> <p>2005/07/01</p>	<p>MOLEX INCORPORATED</p>			
		<p>2 PLACES</p>	<p>± 0.25</p>	<p>± ---</p>	<p>APPROVED BY</p> <p>JNCHEN</p>	<p>DATE</p> <p>2005/07/01</p>	<p>MATERIAL NO.</p> <p>SEE SHEETS</p>	<p>DOCUMENT NO.</p> <p>SD-47272-001</p>	<p>SHEET NO.</p> <p>1 OF 8</p>	
		<p>1 PLACE</p>	<p>± 0.25</p>	<p>± ---</p>	<p>ANGULAR ± 3 °</p>		<p>THIS DRAWING CONTAINS INFORMATION THAT IS PROPRIETARY TO MOLEX INCORPORATED AND SHOULD NOT BE USED WITHOUT WRITTEN PERMISSION</p>			

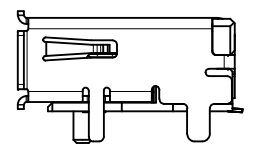
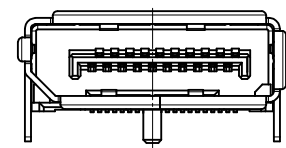
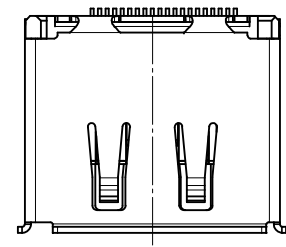
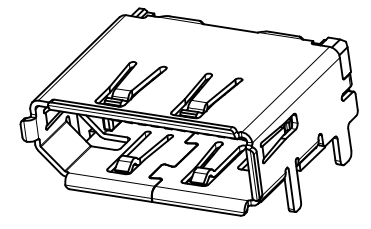
10 9 8 7 6 5 4 3 2 1

WITH COVER



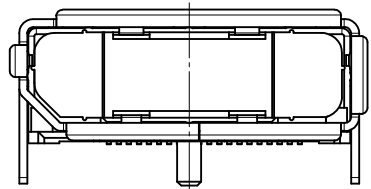
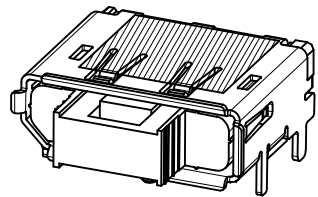
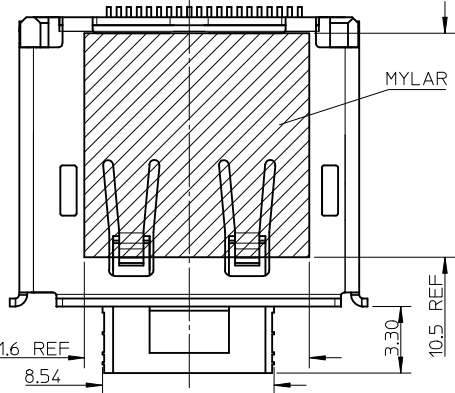
- NOTES:
 1.UNSPECIFIED DIMENSION ARE SAME AS SHEET1
 2.CONNECTOR WITH COVER IS USED FOR WARE SOLDERING PEG

WITHOUT LATCH HOLE



- NOTES:
 1.UNSPECIFIED DIMENSION ARE SAME AS SHEET1

WITH COVER AND MYLAR



- NOTES:
 1.UNSPECIFIED DIMENSION ARE SAME AS SHEET1
 2.CONNECTOR WITH COVER IS USED FOR WARE SOLDERING PEG

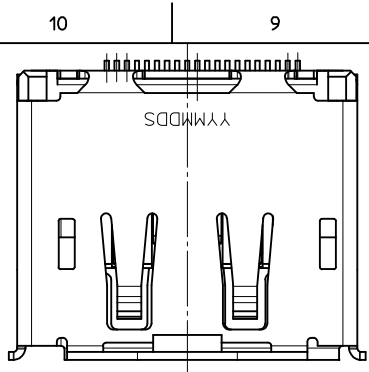
NEW RELEASE	EC NO: SH2009-0189	2008/09/25	DESCRIPTION
	DRWIN:BBLY	2008/09/26	
	CHKD:RZHANG	2008/09/26	
	APPR:HWANG	2008/10/28	
	A6	REV	

QUALITY SYMBOLS	DESCRIPTION
▽=0	
∇=0	

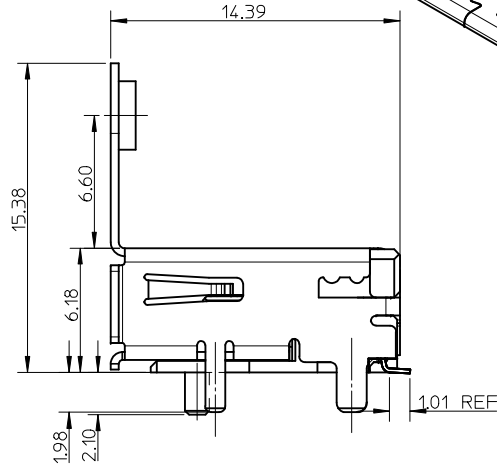
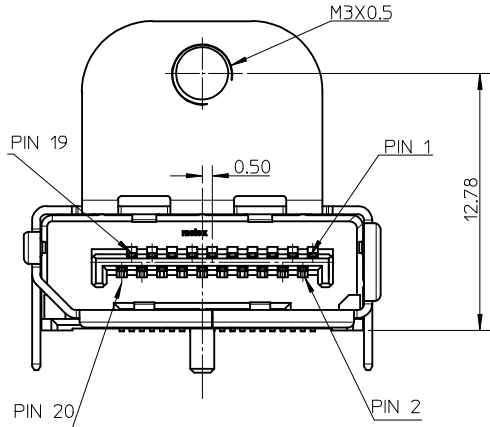
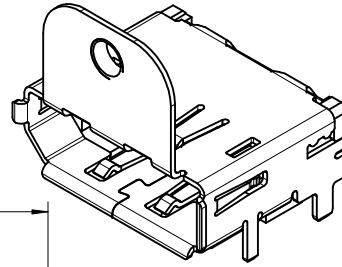
GENERAL TOLERANCES (UNLESS SPECIFIED)	
	mm INCH
4 PLACES	± --- ± ---
3 PLACES	± --- ± ---
2 PLACES	± 0.25 ± ---
1 PLACE	± 0.25 ± ---
ANGULAR ± 3 °	
DRAFT WHERE APPLICABLE MUST REMAIN WITHIN DIMENSIONS	

DIMENSION STYLE		SCALE	DESIGN UNITS	THIRD ANGLE PROJECTION
MM ONLY		1:1	METRIC	⊙
DRAWN BY	DATE	TITLE		
RZHANG	2005/07/01	1.0MM PITCH DISPLAY PORT RECEPTACLE ASSEMBLY		
CHECKED BY	DATE	MOLEX INCORPORATED		
IWANG	2005/07/01	DOCUMENT NO. SD-47272-001		
APPROVED BY	DATE	SHEET NO. 2 OF 8		
JNCHEN	2005/07/01	THIS DRAWING CONTAINS INFORMATION THAT IS PROPRIETARY TO MOLEX INCORPORATED AND SHOULD NOT BE USED WITHOUT WRITTEN PERMISSION		
MATERIAL NO.	SEE SHEETS 5			
SIZE	A3			

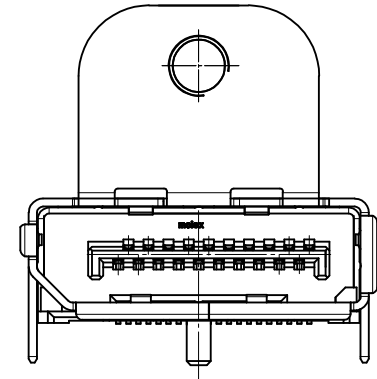
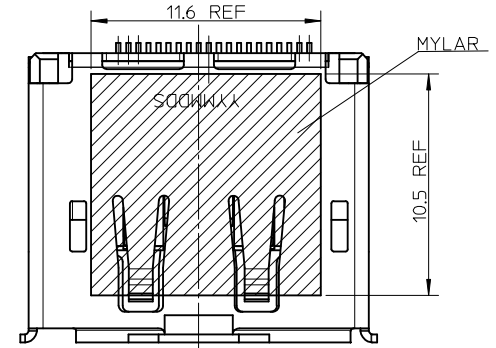
9 8 7 6 5 4 3



WITH FLANGE AND THROUGH HOLE PEG

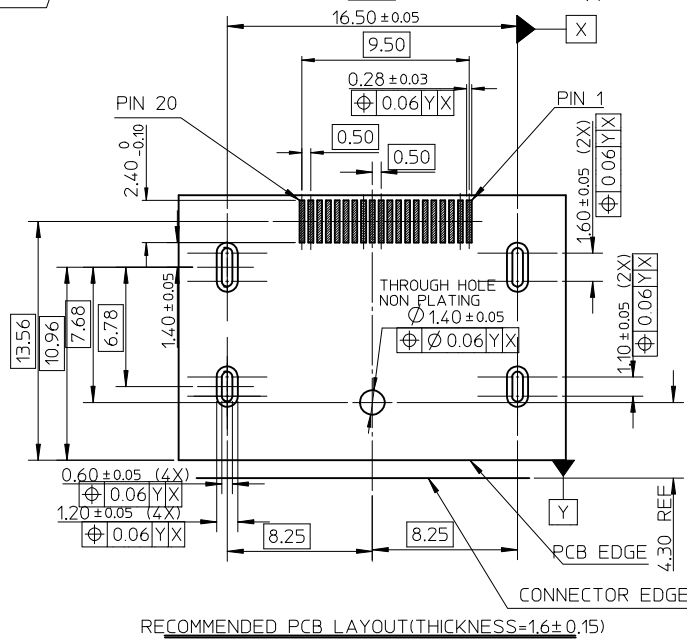


WITH MYLAR



NOTES:
UNSPECIFIED DIMENSION ARE SAME AS SHEET1

NOTES:
UNSPECIFIED DIMENSION ARE SAME AS SHEET1

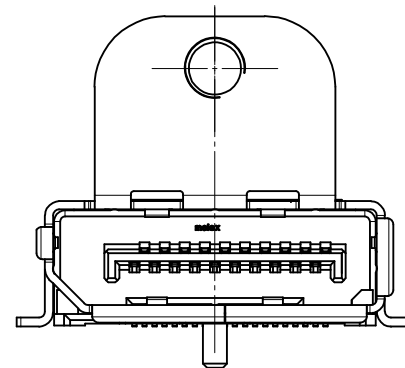
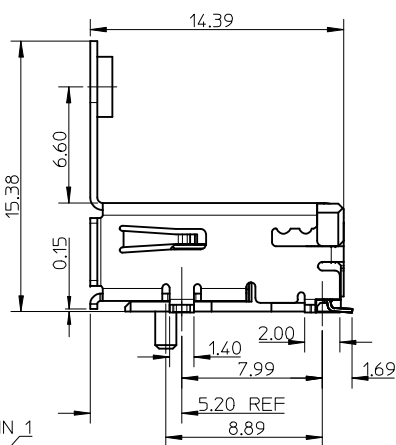
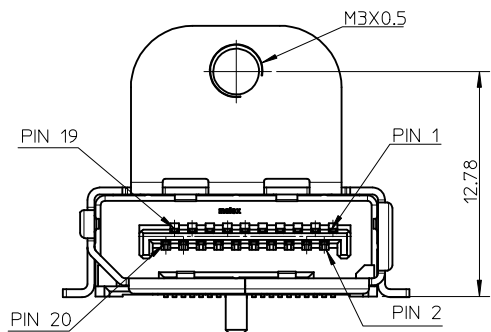
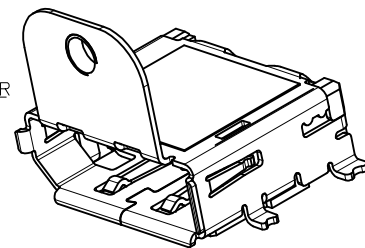
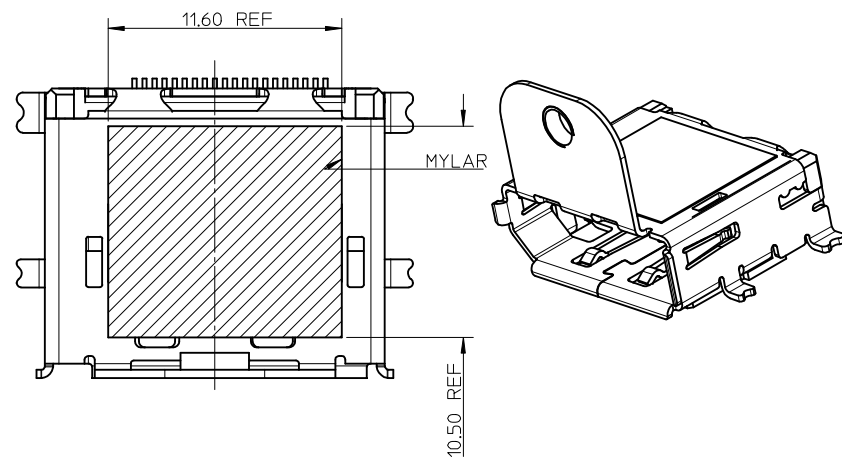
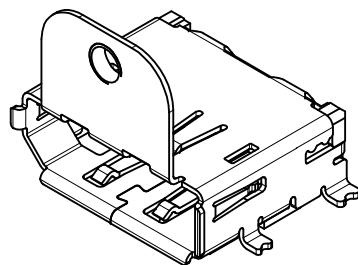
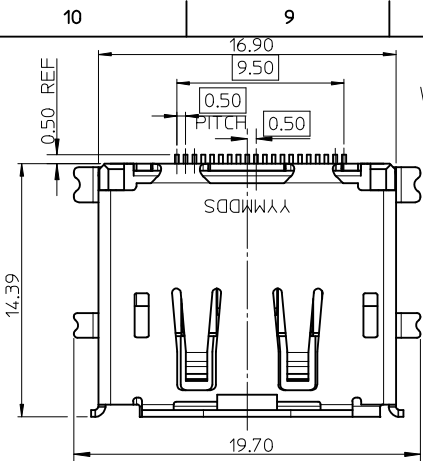


NEW RELEASE EC NO: SH2009-0189 DRW:BBLY 2008/09/25 CHKD:RZHANG 2008/09/26 APPR:HWANG 2008/10/28	QUALITY SYMBOLS 	GENERAL TOLERANCES (UNLESS SPECIFIED)		DIMENSION STYLE MM ONLY	SCALE 1:1	DESIGN UNITS METRIC	THIRD ANGLE PROJECTION													
		<table border="1"> <thead> <tr> <th></th> <th>mm</th> <th>INCH</th> </tr> </thead> <tbody> <tr> <td>4 PLACES</td> <td>± ---</td> <td>± ---</td> </tr> <tr> <td>3 PLACES</td> <td>± ---</td> <td>± ---</td> </tr> <tr> <td>2 PLACES</td> <td>± 0.25</td> <td>± ---</td> </tr> <tr> <td>1 PLACE</td> <td>± 0.25</td> <td>± ---</td> </tr> </tbody> </table>		mm	INCH	4 PLACES	± ---	± ---	3 PLACES	± ---	± ---	2 PLACES	± 0.25	± ---	1 PLACE	± 0.25	± ---	DRAWN BY RZHANG	DATE 2005/07/01	TITLE 1.0MM PITCH DISPLAY PORT RECEPTACLE ASSEMBLY
			mm	INCH																
		4 PLACES	± ---	± ---																
3 PLACES	± ---	± ---																		
2 PLACES	± 0.25	± ---																		
1 PLACE	± 0.25	± ---																		
CHECKED BY IWANG	DATE 2005/07/01	MOLEX INCORPORATED																		
APPROVED BY JNCHEN	DATE 2005/07/01	MATERIAL NO. SEE SHEETS	DOCUMENT NO. SD-47272-001	SHEET NO. 3 OF 8																
A6	DRAFT WHERE APPLICABLE MUST REMAIN WITHIN DIMENSIONS	SIZE A3	THIS DRAWING CONTAINS INFORMATION THAT IS PROPRIETARY TO MOLEX INCORPORATED AND SHOULD NOT BE USED WITHOUT WRITTEN PERMISSION																	

RECOMMENDED PCB LAYOUT (THICKNESS=1.6±0.15)

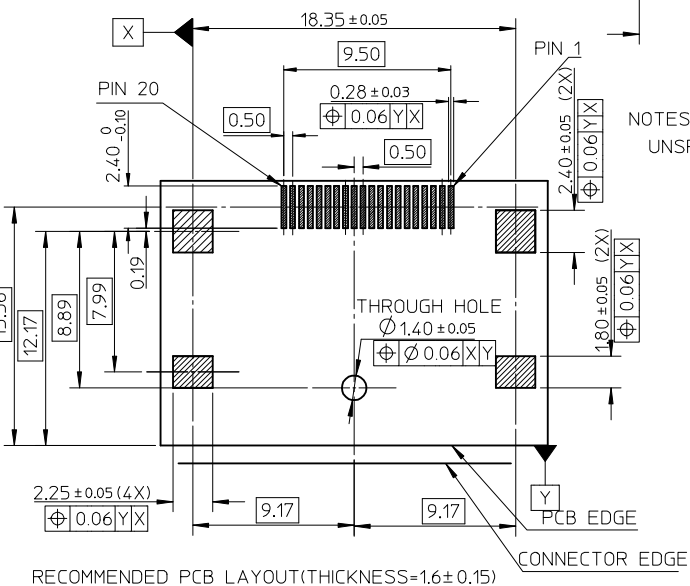
WITH FLANGE AND SMT PEG

WITH FLANGE AND MYLAR



NOTES:
UNSPECIFIED DIMENSION ARE SAME AS SHEET 1

NOTES:
1. UNSPECIFIED DIMENSION ARE SAME AS SHEET 1
2. THE RECOMMENDER PCB ARE SAME AS LEFT RECMENDER PCB



RECOMMENDED PCB LAYOUT (THICKNESS=1.6±0.15)

NEW RELEASE EC NO: SH2009-0189 DRWN: BBLV CHKD: RZHANG APPR: HWANG	2008/09/25	2008/09/26	2008/10/28
	DESCRIPTION	QUALITY SYMBOLS	REV
	▽=0	▽=0	


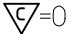
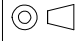
GENERAL TOLERANCES (UNLESS SPECIFIED)	mm	INCH
	4 PLACES ± ---	± ---
	3 PLACES ± ---	± ---
	2 PLACES ± 0.25	± ---
1 PLACE ± 0.25	± ---	
ANGULAR ± 3 °		
DRAFT WHERE APPLICABLE MUST REMAIN WITHIN DIMENSIONS		

DIMENSION STYLE MM ONLY	
DRAWN BY RZHANG	DATE 2005/07/01
CHECKED BY IWANG	DATE 2005/07/01
APPROVED BY JNCHEN	DATE 2005/07/01
MATERIAL NO.	
SEE SHEET 5	

SCALE 1:1	DESIGN UNITS METRIC	THIRD ANGLE PROJECTION
TITLE 1.0MM PITCH DISPLAY PORT RECEPTACLE ASSEMBLY		
MOLEX INCORPORATED		SHEET NO. 4 OF 8
DOCUMENT NO. SD-47272-001		
THIS DRAWING CONTAINS INFORMATION THAT IS PROPRIETARY TO MOLEX INCORPORATED AND SHOULD NOT BE USED WITHOUT WRITTEN PERMISSION		

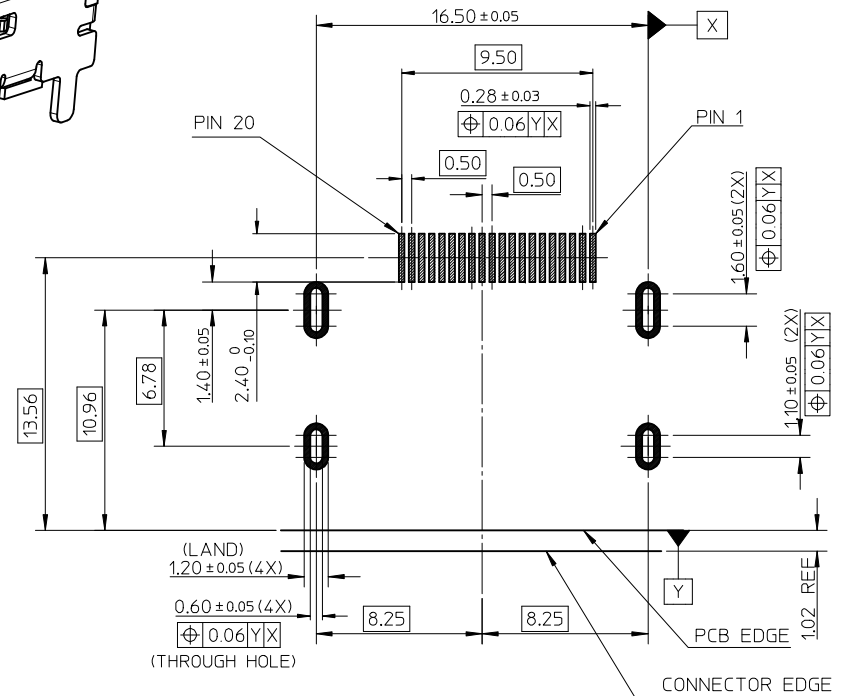
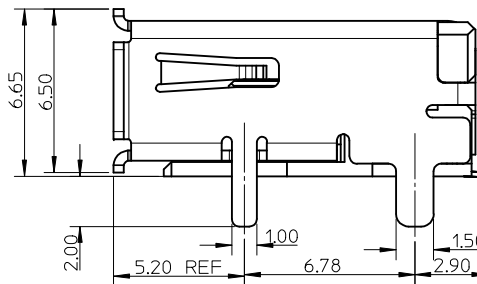
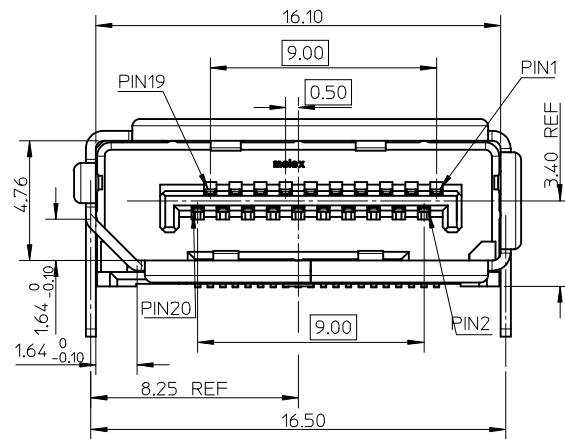
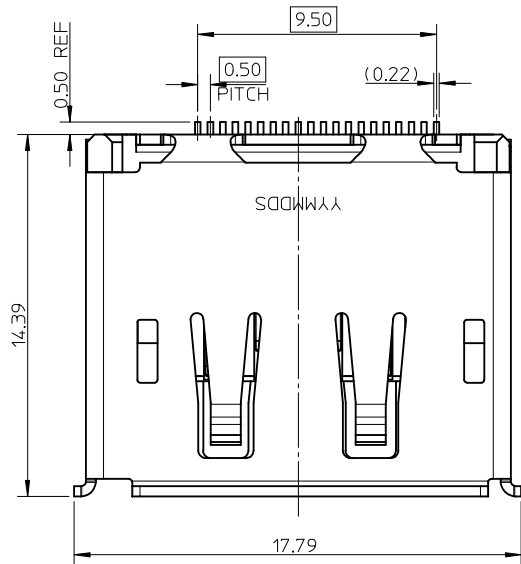
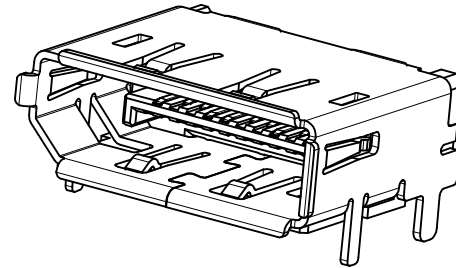
10	9	8	7	6	5	4	3	2	1		
ASSEMBLY NO.	WITH COVER	WITH FLANGE	SMT PEG OF SHELL	THROUGH HOLE PEG OF SHELL	PLATING IN CONTACT AREA	SHELL PLATING	WITH LATCH HOLE	MYLAR	POST	PACKAGE METHOD	REMARK
47272-0001	WITHOUT	WITHOUT	/	WITH	SEE NOTE2(1)	SEE NOTE2(a)	WITH	WITHOUT	WITH		FOR SHEET 1
47272-0002	WITHOUT	WITHOUT	/	WITH	SEE NOTE2(1)	SEE NOTE2(a)	WITH	WITHOUT	WITH		
47272-0011	WITHOUT	WITHOUT	/	WITH	SEE NOTE2(2)	SEE NOTE2(a)	WITH	WITHOUT	WITH		
47272-0021	WITHOUT	WITHOUT	/	WITH	SEE NOTE2(3)	SEE NOTE2(a)	WITH	WITHOUT	WITH		FOR SHEET 2
47272-0003	WITHOUT	WITHOUT	/	WITH	SEE NOTE2(1)	SEE NOTE2(a)	WITHOUT	WITHOUT	WITH		
47272-1002	WITH	WITHOUT	/	WITH	SEE NOTE2(1)	SEE NOTE2(a)	WITH	WITHOUT	WITH		
47272-0012	WITH	WITHOUT	/	WITH	SEE NOTE2(2)	SEE NOTE2(a)	WITH	WITHOUT	WITH		FOR SHEET 3
47272-0022	WITH	WITHOUT	/	WITH	SEE NOTE2(3)	SEE NOTE2(a)	WITH	WITHOUT	WITH		
47272-0024	WITH	WITHOUT	/	WITH	SEE NOTE2(1)	SEE NOTE2(a)	WITH	WITH	WITH		
47272-0004	WITH	WITH	/	WITH	SEE NOTE2(1)	SEE NOTE2(c)	WITH	WITHOUT	WITH		FOR SHEET 3
47272-1004	WITHOUT	WITH	/	WITH	SEE NOTE2(1)	SEE NOTE2(c)	WITH	WITHOUT	WITH		
47272-0025	WITHOUT	WITH	/	WITH	SEE NOTE2(1)	SEE NOTE2(c)	WITH	WITH	WITH		
47272-0028	WITHOUT	WITH	/	WITH	SEE NOTE2(3)	SEE NOTE2(c)	WITH	WITH	WITH		FOR SHEET 4
47272-1005	WITHOUT	WITH	SMT PEG	/	SEE NOTE2(1)	SEE NOTE2(c)	WITH	WITHOUT	WITH		
47272-0023	WITHOUT	WITH	SMT PEG	/	SEE NOTE2(1)	SEE NOTE2(c)	WITH	WITH	WITH		
47272-0026	WITHOUT	WITHOUT	/	WITH	SEE NOTE2(1)	SEE NOTE2(a)	WITH	WITHOUT	WITHOUT		FOR SHEET 6
47272-0027	WITH	WITH	/	WITH	SEE NOTE2(1)	SEE NOTE2(c)	WITH	WITH	WITH		FOR SHEET 7
47272-0201	WITHOUT	WITHOUT	/	WITH	SEE NOTE2(4)	SEE NOTE2(a)	WITH	WITHOUT	WITH		FOR SHEET 1
47272-0029	WITHOUT	WITHOUT		WITH	SEE NOTE2(1)	SEE NOTE2(a)	WITH	WITH	WITH		FOR SHEET 8

B

NEW RELEASE EC NO: SH2009-0189 DRINK:BBLY 2008/09/25 CHKD:RZHANG 2008/09/26 APPR:HWANG 2008/10/28 A6	QUALITY SYMBOLS  =0  =0	GENERAL TOLERANCES (UNLESS SPECIFIED)		DIMENSION STYLE MM ONLY		SCALE 1:1	DESIGN UNITS METRIC	 THIRD ANGLE PROJECTION			
		4 PLACES ± --- ± --- 3 PLACES ± --- ± --- 2 PLACES ± 0.25 ± --- 1 PLACE ± 0.25 ± ---	mm INCH	DRAWN BY RZHANG	DATE 2005/07/01	TITLE 1.0MM PITCH DISPLAY PORT RECEPTACLE ASSEMBLY					
		ANGULAR ± 3 °		CHECKED BY IWANG	DATE 2005/07/01	MOLEX INCORPORATED					
		DRAFT WHERE APPLICABLE MUST REMAIN WITHIN DIMENSIONS		APPROVED BY JNCHEN	DATE 2005/07/01	MATERIAL NO. SEE CHART	DOCUMENT NO. SD-47272-001	SHEET NO. 5 OF 8			

A

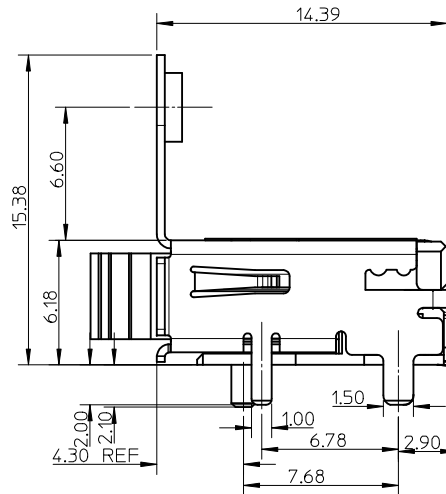
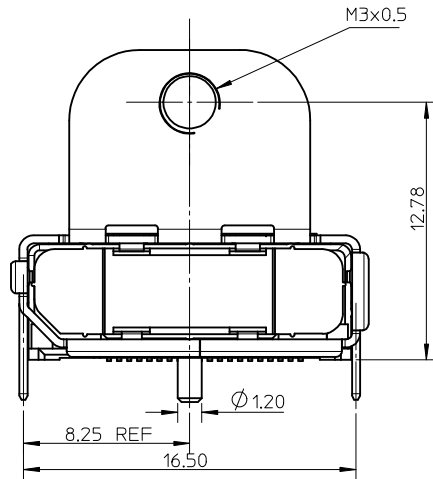
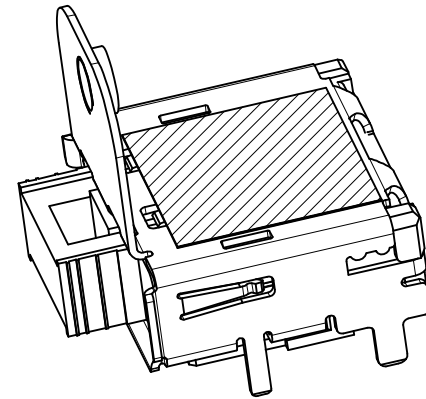
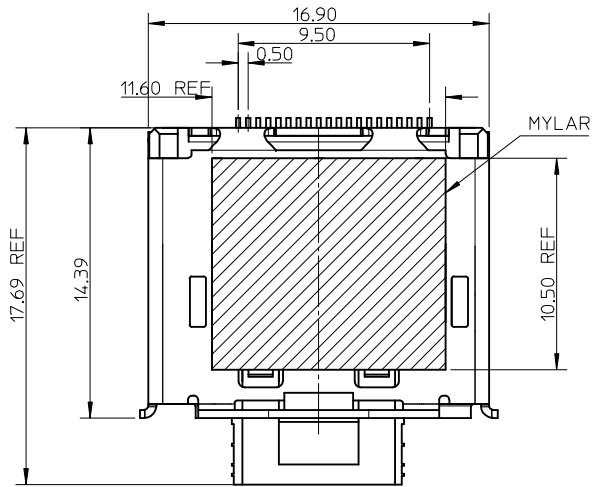
WITHOUT POST



RECOMMENDED PCB LAYOUT (THICKNESS=1.6±0.15)

NOTES:
UNSPECIFIED DIMENSION ARE SAME AS SHEET 1

<p>NEW RELEASE EC NO: SH2009-0189 DRW:NBBLV CHKD:RZHANG APPR:HWANG</p>	2008/09/25	<p>QUALITY SYMBOLS ▽=0 ◻=0</p>	GENERAL TOLERANCES (UNLESS SPECIFIED)		DIMENSION STYLE	SCALE	DESIGN UNITS	THIRD ANGLE PROJECTION	
	2008/09/26		mm	INCH	MM ONLY	1:1	METRIC		
	2008/10/28		4 PLACES ± --- ± ---	3 PLACES ± --- ± ---	DRAWN BY	DATE	TITLE		
			2 PLACES ± 0.25 ± ---	1 PLACE ± 0.25 ± ---	RZHANG	2005/07/01	1.0MM PITCH DISPLAY PORT RECEPTACLE ASSEMBLY		
			ANGULAR ± 3 °	CHECKED BY	DATE	MOLEX INCORPORATED			
				IWANG	2005/07/01	DOCUMENT NO.			
				APPROVED BY	DATE	SHEET NO.			
				JNCHEN	2005/07/01	6 OF 8			
				MATERIAL NO.		SD-47272-001			
						THIS DRAWING CONTAINS INFORMATION THAT IS PROPRIETARY TO MOLEX INCORPORATED AND SHOULD NOT BE USED WITHOUT WRITTEN PERMISSION			



NOTES:

1. UNSPECIFIC DIMENSION ARE SAME AS SHEET1
2. THE RECOMMENDER PCB ARE SAME AS SHEET1

NEW RELEASE EC NO: SHZ009-0189 DRWN:BBLY CHKD:RZHANG APPR:HWANG	2008/09/25 2008/09/26 2008/10/28	DESCRIPTION REV	QUALITY SYMBOLS	GENERAL TOLERANCES (UNLESS SPECIFIED)	DIMENSION STYLE	SCALE	DESIGN UNITS	THIRD ANGLE PROJECTION
			$\nabla=0$ $\square=0$	mm INCH 4 PLACES ± --- ± --- 3 PLACES ± --- ± --- 2 PLACES ± 0.25 ± --- 1 PLACE ± 0.25 ± --- ANGULAR ± 3 °	MM ONLY	1:1	METRIC	
				DRAWN BY: RZHANG DATE: 2005/07/01 CHECKED BY: IWANG DATE: 2005/07/01 APPROVED BY: JNCHEN DATE: 2005/07/01	TITLE	1.0MM PITCH DISPLAY PORT RECEPTACLE ASSEMBLY		
			DRAFT WHERE APPLICABLE MUST REMAIN WITHIN DIMENSIONS	MATERIAL NO. DOCUMENT NO. SHEET NO. SEE SHEET 5 SD-47272-001 7 OF 8				

10 9 8 7 6 5 4 3 2 1

F

E

D

C

B

A

F

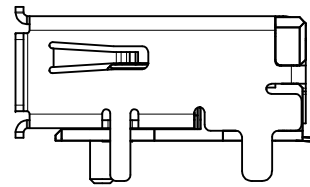
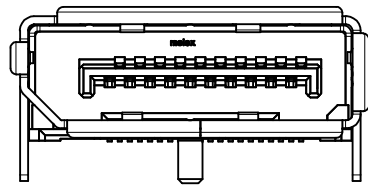
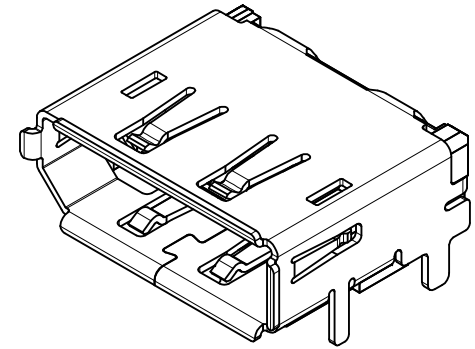
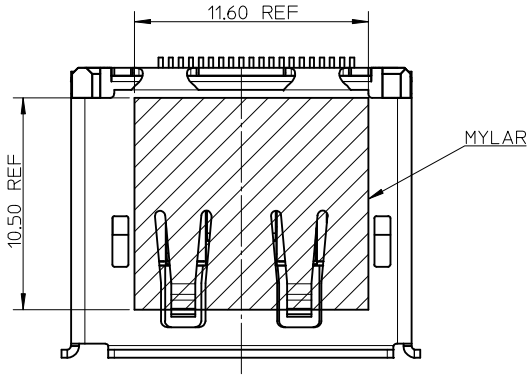
E

D

C

B

A



NOTES:
 1. UNSPECIFIC DIMENSION ARE SAME AS SHEET1
 2. THE RECOMMENDER PCB ARE SAME AS SHEET1

NEW RELEASE EC NO: SHZ009-0189 DRW:BBLY CHKD:RZHANG APPR:HWANG 2008/09/25 2008/09/26 2008/10/28	DESCRIPTION REV	QUALITY SYMBOLS	GENERAL TOLERANCES (UNLESS SPECIFIED)		DIMENSION STYLE MM ONLY		SCALE 1:1	DESIGN UNITS METRIC	THIRD ANGLE PROJECTION	
		$\nabla=0$ $\square=0$	mm	INCH	DRAWN BY RZHANG	DATE 2005/07/01	TITLE 1.0MM PITCH DISPLAY PORT RECEPTACLE ASSEMBLY			
		4 PLACES	± ---	± ---	CHECKED BY IWANG	DATE 2005/07/01	MOLEX INCORPORATED			
		3 PLACES	± ---	± ---	APPROVED BY JNCHEN	DATE 2005/07/01				
2 PLACES	± 0.25	± ---	ANGULAR ± 3 °		MATERIAL NO. SEE SHEET 5	DOCUMENT NO. SD-47272-001	SHEET NO. 8 OF 8			
1 PLACE	± 0.25	± ---	DRAFT WHERE APPLICABLE MUST REMAIN WITHIN DIMENSIONS		SIZE A3	THIS DRAWING CONTAINS INFORMATION THAT IS PROPRIETARY TO MOLEX INCORPORATED AND SHOULD NOT BE USED WITHOUT WRITTEN PERMISSION				

9 8 7 6 5 4 3 2 1