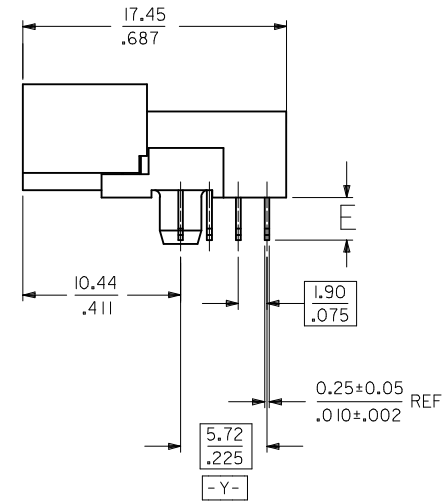
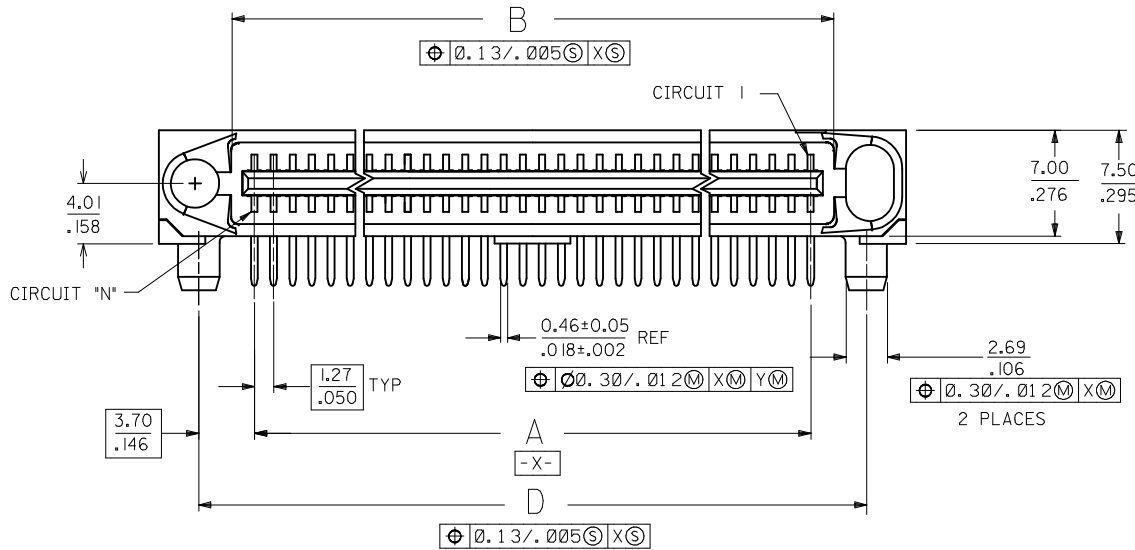
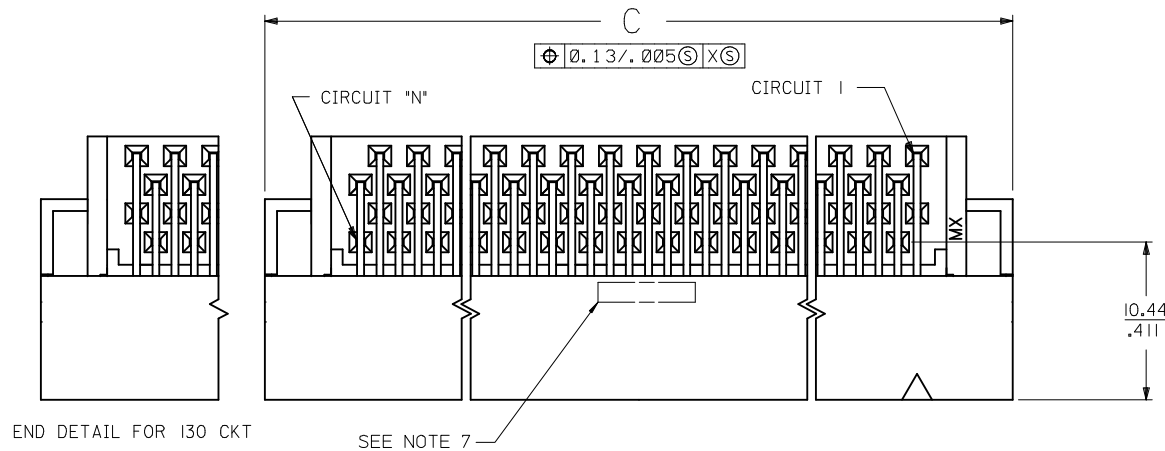
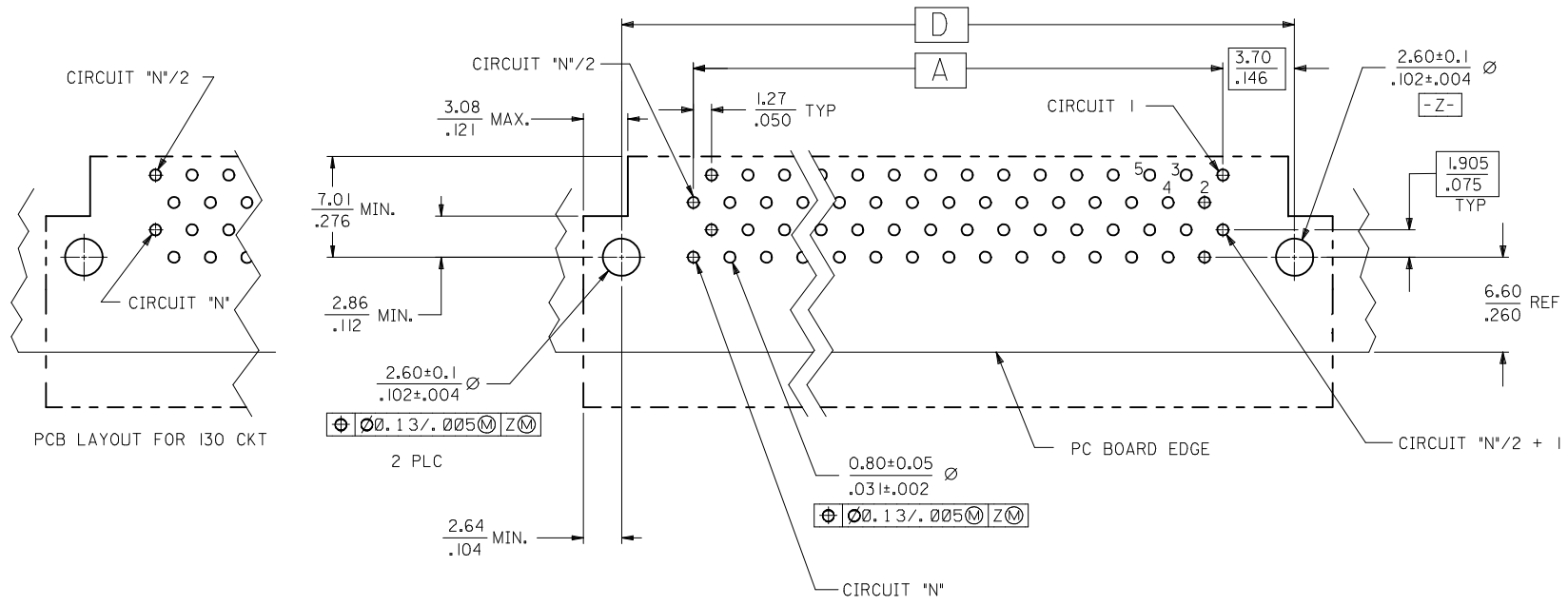


NOTES:

1. MATERIAL:  
HOUSING: LIQUID CRYSTAL POLYMER (LCP), GLASS-FILLED, UL94V-0,  
COLOR: BLACK  
TERMINALS: BRASS
2. FINISH:  
TERMINAL: 0.76 MICROMETERS/30 MICROINCHES MINIMUM SELECTIVE GOLD  
IN CONTACT AREA; 1.27 MICROMETERS/50 MICROINCHES MINIMUM  
SELECTIVE TIN IN THE PC TAIL AREA; NICKEL UNDERPLATE OVERALL.
3. CONFORMS TO PRODUCT SPEC: PS-71660
4. PRODUCT PACKAGED PER PK-70873-084\*
5. ASSEMBLY MATES WITH MOLEX P/N SDA-71660-7\*\*\*
6. RECOMMENDED PC BOARD THICKNESS IS 1.6 MM/0.062 IN
7. FOUR DIGIT DATE CODE (WK.YR) EXAMPLE 26 96 LOCATED IN AREA SHOWN

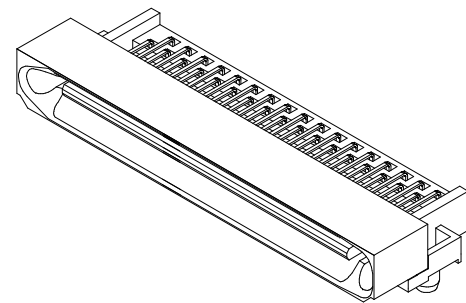


<b>CHANGE MATERIAL</b> EC NO: UCP2009-1254 DRWN:MSIBARRA 2008/12/19 CHKD:BSMART 2009/01/06 APPR:SMILLER 2009/01/06	QUALITY SYMBOLS ▽=0 ▽=0	GENERAL TOLERANCES (UNLESS SPECIFIED) <table border="1"> <tr> <th></th> <th>mm</th> <th>INCH</th> </tr> <tr> <td>4 PLACES</td> <td>± .01</td> <td>± .0004</td> </tr> <tr> <td>3 PLACES</td> <td>± .010</td> <td>± .0004</td> </tr> <tr> <td>2 PLACES</td> <td>± 0.25</td> <td>± .010</td> </tr> <tr> <td>1 PLACE</td> <td>± .000</td> <td>± .000</td> </tr> </table>		mm	INCH	4 PLACES	± .01	± .0004	3 PLACES	± .010	± .0004	2 PLACES	± 0.25	± .010	1 PLACE	± .000	± .000	DIMENSION STYLE MM/IN	SCALE 4:1	DESIGN UNITS INCH	THIRD ANGLE PROJECTION
		mm	INCH																		
	4 PLACES	± .01	± .0004																		
	3 PLACES	± .010	± .0004																		
2 PLACES	± 0.25	± .010																			
1 PLACE	± .000	± .000																			
MATERIAL NO. SEE TABLE	DRAWN BY RAN	DATE 1995/04/26	TITLE SALES ASSMBLY EBBI 50D RIGHT ANGLE BLIND MATE PLUG	MOLEX INCORPORATED	SHEET NO. 1 OF 2	DOCUMENT NO. SDA-71661-25**															
DRAFT WHERE APPLICABLE MUST REMAIN WITHIN DIMENSIONS	APPROVED BY CAB	DATE 1995/04/26	THIS DRAWING CONTAINS INFORMATION THAT IS PROPRIETARY TO MOLEX. INCORPORATED AND SHOULD NOT BE USED WITHOUT WRITTEN PERMISSION																		
REV: K	DESCRIPTION																				



RECOMMENDED PC BOARD LAYOUT  
 COMPONENT SIDE  
 SEE NOTE 6

3.491 (88.67)	3.699 (93.95)	3.320 (84.33)	3.200 (81.28)	.110 (2.79)	130	71661-2513
2.741 (69.63)	2.949 (74.90)	2.570 (65.28)	2.450 (62.23)	.110 (2.79)	100	71661-2511
2.241 (56.92)	2.449 (62.20)	2.070 (52.586)	1.950 (49.53)	.110 (2.79)	80	71661-2580
1.941 (49.31)	2.149 (54.58)	1.770 (44.96)	1.650 (41.91)	.110 (2.79)	68	71661-2568
1.941 (49.31)	2.149 (54.58)	1.770 (44.96)	1.650 (41.91)	.125 (3.18)	68	71661-2518
1.241 (31.53)	1.449 (36.80)	1.070 (27.18)	.950 (24.13)	.110 (2.79)	40	71661-2540
D	C	B	A	E	CKT (*N)	ITEM NUMBER



68 CIRCUIT ASSEMBLY SHOWN  
 SCALE 2:1

<b>UPDATE REV LEVEL</b> EC NO: UCP2009-1254 DRWN:MS BARRA 2008/12/19 CHKD:BSMART 2009/01/06 APPR:SMILLER 2009/01/06	DESCRIPTION REV K	QUALITY SYMBOLS ▽=0 ▽=0	GENERAL TOLERANCES (UNLESS SPECIFIED) <table border="1"> <tr> <th></th> <th>mm</th> <th>INCH</th> </tr> <tr> <td>4 PLACES</td> <td>± .010</td> <td>± .0004</td> </tr> <tr> <td>3 PLACES</td> <td>± .010</td> <td>± .0004</td> </tr> <tr> <td>2 PLACES</td> <td>± 0.25</td> <td>± .010</td> </tr> <tr> <td>1 PLACE</td> <td>± .010</td> <td>± .0004</td> </tr> </table>		mm	INCH	4 PLACES	± .010	± .0004	3 PLACES	± .010	± .0004	2 PLACES	± 0.25	± .010	1 PLACE	± .010	± .0004	DIMENSION STYLE MM/IN	SCALE 4:1	DESIGN UNITS INCH	THIRD ANGLE PROJECTION
			mm	INCH																		
		4 PLACES	± .010	± .0004																		
		3 PLACES	± .010	± .0004																		
2 PLACES	± 0.25	± .010																				
1 PLACE	± .010	± .0004																				
DRAWN BY RAN	DATE 1995/04/26	CHECKED BY RAN	DATE 1995/04/26	TITLE <b>SALES ASSMBLY          EBBI 50D RIGHT ANGLE          BLIND MATE PLUG</b>																		
APPROVED BY CAB	DATE 1995/04/26	MATERIAL NO. <b>SEE TABLE</b>		DOCUMENT NO. <b>SDA-71661-25**</b>		SHEET NO. 2 OF 2																
DRAFT WHERE APPLICABLE MUST REMAIN WITHIN DIMENSIONS																						

THIS DRAWING CONTAINS INFORMATION THAT IS PROPRIETARY TO MOLEX INCORPORATED AND SHOULD NOT BE USED WITHOUT WRITTEN PERMISSION