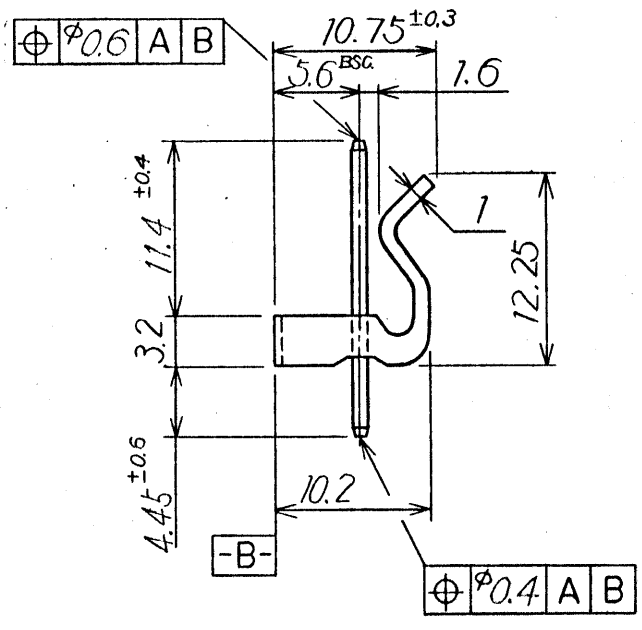
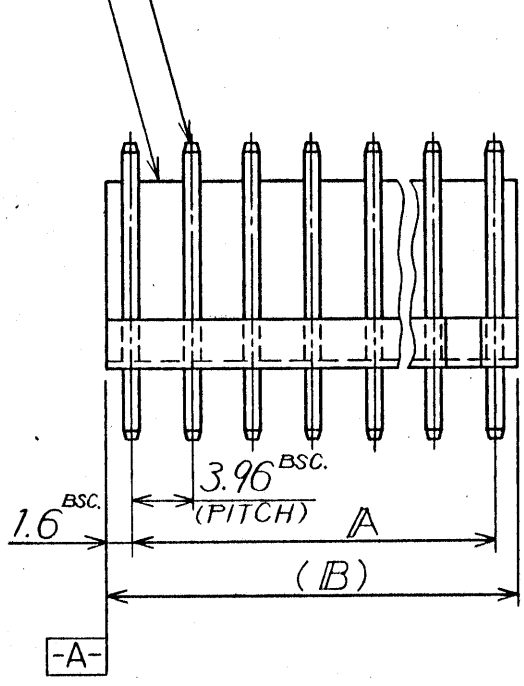
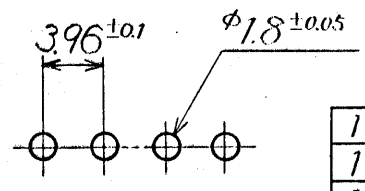


EDP NO. 39-26-3**0
 ENG. NO. SD-5414-NA

5028-N (NYLON 66, 94 V-2)
 2161-01 (1.14 x 19.05 BRASS, TIN OVER COPPER PLATING)



NOTE: 1. CAMBER MUST BE WITHIN 0.24 MAX. PER 25.4



RECOMMENDED P.C.B HOLE DIM.

15	39-26-3150	5414-15A	55.44	58.64	
14	-3140	-14A	51.48	54.68	
13	-3130	-13A	47.52	50.72	
12	-3120	-12A	43.56	46.76	
11	-3110	-11A	39.6	42.8	
10	-3100	-10A	35.64	38.84	
9	-3090	-09A	31.68	34.88	
8	-3080	-08A	27.72	30.92	
7	-3070	-07A	23.76	26.96	
6	-3060	-06A	19.8	23	
5	-3050	-05A	15.84	19.04	
4	-3040	-04A	11.88	15.08	
3	-3030	-03A	7.92	11.12	
2	39-26-3020	5414-02A	3.96	7.16	

角度 ANGLE	± 3°
30 以上 OVER	±0.3
10 以上 30 未満 UNDER	±0.25
10 未満 UNDER	±0.2
一般公差 GENERAL TOLERANCES	

No. OF CAT	EDP NO.	ENG. NO.	(A)	(B)	REMARKS
	材料 MATERIAL		MOLEX-JAPAN CO., LTD. 日本モレックス株式会社		
	仕上 FINISH		EDP NO. 39-26-3**0		
C	REVISD BY ECN NO. 4488	Y.M. 10/23/85	適用電線範囲 WIRE RANGE		ENG. NO. SD-5414-NA
B	REVISD BY ECN NO. 3878	W.A. 10/15/85	被覆外径 INS. RANGE		REV C
A	REVISD BY ECN # 3074	Y.T. 12/12/83	DRAWN BY 8/17/82 Y. TAKENOUCHI		
O	RELEASED BY ECN # 2597	Y.T. 8/20/82	CHK'D BY 8/20/82 T. MIZUMURA		
記号 LTR	変更内容 REVISION RECORD	DR. CHK	日付 DATE	尺度 SCALE	2-1

TITLE 名称: KK 3.96 WAFER ASS'Y WITH LOCK

単位: MM DIMENSIONS IN METRIC DO NOT SCALE DRAWING