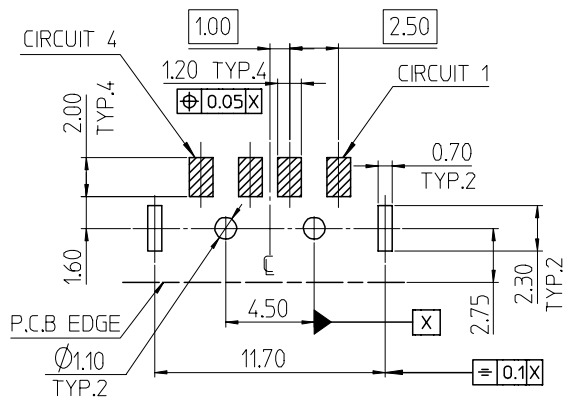
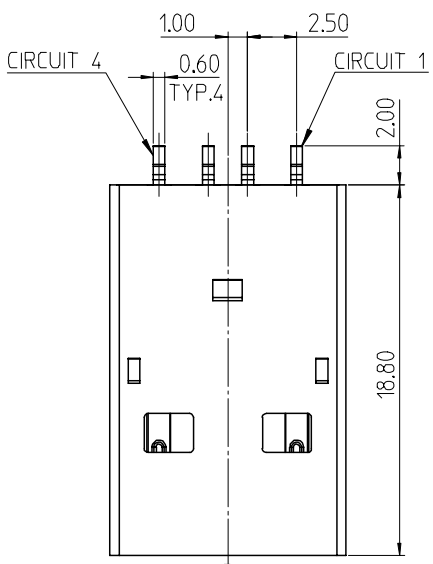
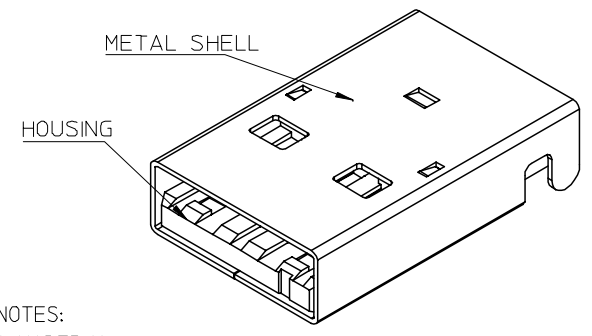
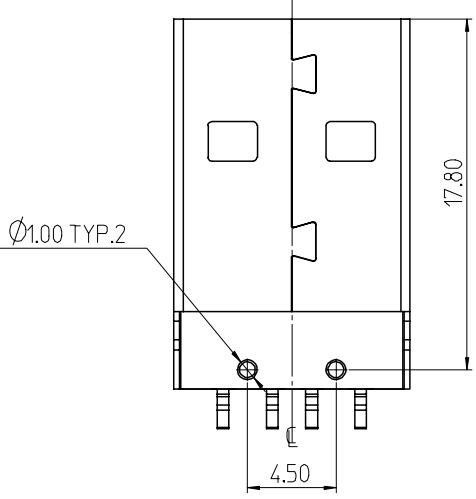
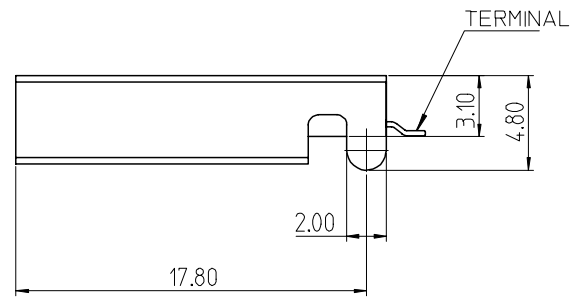
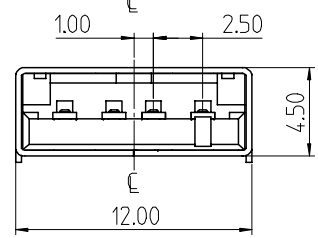


10 9 8 7 6 5 4 3 2 1

F
E
D
C
B
A



RECOMMENDED P.C.B LAYOUT
GENERAL TOLERANCE: ± 0.05



- NOTES:
- MATERIAL:
HOUSING: NYLON 6T, GLASS FIBER FILLED, UL94V-0, COLOR: BLACK.
TERMINAL: BRASS
METAL SHELL: COLD ROLL STEEL
 - FINISH:
TERMINAL:
SELECTIVE GOLD(Au) IN CONTACT AREA
THICKNESS=30 MICRONCH MINIMUM.
SELECTIVE TIN(Sn) ALLOY IN SOLDER TAIL AREA
THICKNESS=120 MICRONCH MINIMUM.
NICKEL(Ni) OVERALL
METAL SHELL:
NICKEL(Ni) OVERALL
UNDER PLATED: COPPER(Cu), OVERALL
THICKNESS=50 MICRONCH MINIMUM.
 - RECOMMENDED PCB THICKNESS: 1.6mm ± 0.05
 - PRODUCT SPECIFICATION REFERS TO PS-48037-001
 - PACKAGE SPECIFICATION REFERS TO PK-48037-210
 - TEST SUMMARY REFERS TO TS-48037-001
 - COPLANARITY TO BE 0.1mm MAX.
 - LEAD FREE AND RoHS COMPLIANCE.
 - DATE CODE:
X X X X X
YEAR WEEK DAY

NEW RELEASE EC NO: SH2006-0042 DRWN: ALLIN 2005/10/26 CHKD: 2005/10/26 APPR: WMSCHANG 2005/11/04	QUALITY SYMBOLS ▽=0 ▽=0	GENERAL TOLERANCES (UNLESS SPECIFIED)		DIMENSION STYLE MM ONLY		SCALE 3:1	DESIGN UNITS METRIC	THIRD ANGLE PROJECTION		
			mm	INCH	DRAWN BY CHERRY	DATE 2005/05/25	TITLE USB A TYPE PLUG WITH STR SHELL LEG(4.8MM)SMT (LEAD-FREE VERSION)			
		4 PLACES	± ---	± ---	CHECKED BY ROGER TSAI	DATE 2005/05/26	MOLEX INCORPORATED MATERIAL NO. 48037-2100 DOCUMENT NO. SD-48037-003 SHEET NO. 1 OF 1			
		3 PLACES	± ---	± ---	APPROVED BY WILSON CHANG	DATE 2005/05/26				
2 PLACES	± 0.25	± ---	DRAFT WHERE APPLICABLE MUST REMAIN WITHIN DIMENSIONS		SIZE A3		THIS DRAWING CONTAINS INFORMATION THAT IS PROPRIETARY TO MOLEX INCORPORATED AND SHOULD NOT BE USED WITHOUT WRITTEN PERMISSION			
1 PLACE	± 0.25	± ---								

9 8 7 6 5 4 3 2 1