

FEATURES AND SPECIFICATIONS

Features and Benefits

- Sizes 2 to 18 circuits
- Provides left to right polarization when mated with 41695 or 43061 .156" crimp housing with the optional polarizing ribs
- Passive locking feature is used to maintain interconnection, ideal for high vibration applications
- Various pin lengths available (contact factory)
- Optional voided circuits available (contact factory)
- End-to-end stackable

Reference Information

Product Specification: PS-08-50

Packaging: Bulk

UL File No.: E29179

CSA File No.: LR19980

TUV File No.: R75108

Mates With: 2139, 2145, 3069, 6442, 7660, 7664, 7674, 7675, 41695 and 41815

Designed In: Inches

Electrical

Voltage: 250V

Current: 7.0A

Contact Resistance: 6mΩ max.

Dielectric Withstanding Voltage: 1500V

Insulation Resistance: 50K MΩ min.

Physical

Housing: Polyester, UL 94V-0

Contact: Brass

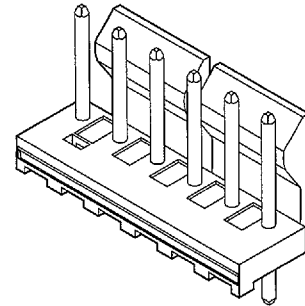
Plating: See Table

Temperature: -40 to +105°C

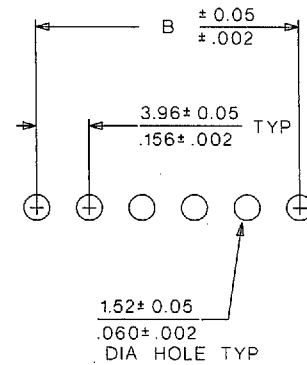
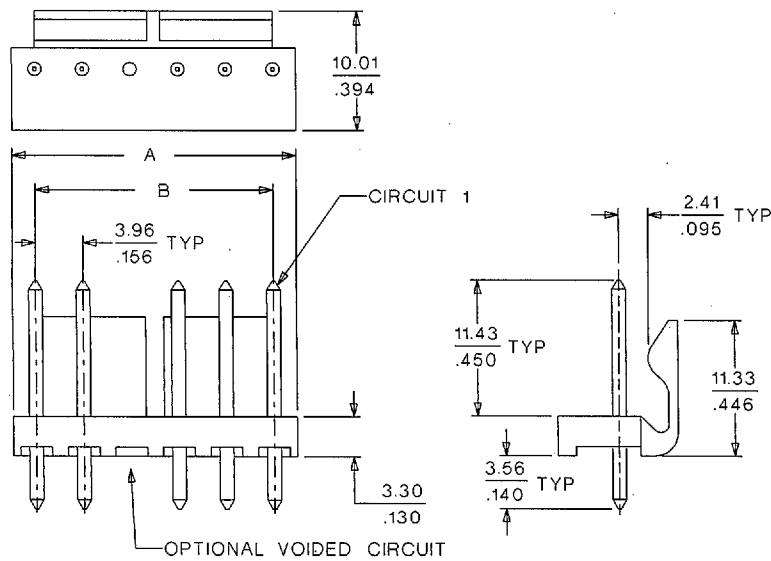
molex® 3.96mm (.156") Pitch Header

41761

Straight, Round Pin Friction Lock



PCB Connectors



PCB LAYOUT: COMPONENT SIDE
RECOMMENDED PCB THICKNESS 1.57 ± 0.18
 $.062 \pm .007$

ORDERING INFORMATION AND DIMENSIONS

Circuits	Order No.		Dimension	
	Tin	Gold	A	B
2	• 26-60-1020	• 26-61-1020	7.77 (.306)	3.96 (.156)
3	• 26-60-1030	• 26-61-1030	11.73 (.462)	7.92 (.312)
4	• 26-60-1040	• 26-61-1040	15.70 (.618)	11.89 (.468)
5	• 26-60-1050	• 26-61-1050	19.66 (.774)	15.85 (.624)
6	• 26-60-1060	• 26-61-1060	23.62 (.930)	19.81 (.780)
7	• 26-60-1070	• 26-61-1070	27.58 (1.086)	23.77 (.936)
8	• 26-60-1080	• 26-61-1080	31.55 (1.242)	27.74 (1.092)
9	• 26-60-1090	• 26-61-1090	35.51 (1.398)	31.70 (1.248)
10	• 26-60-1100	• 26-61-1100	39.47 (1.554)	35.66 (1.404)

Circuits	Order No.		Dimension	
	Tin	Gold	A	B
11	• 26-60-1110	• 26-61-1110	43.43 (1.710)	39.62 (1.560)
12	• 26-60-1120	• 26-61-1120	47.40 (1.866)	43.59 (1.716)
13	• 26-60-1130	• 26-61-1130	51.36 (2.022)	47.55 (1.872)
14	• 26-60-1140	• 26-61-1140	55.32 (2.178)	51.51 (2.028)
15	• 26-60-1150	• 26-61-1150	59.28 (2.334)	55.47 (2.184)
16	• 26-60-1160	• 26-61-1160	63.25 (2.490)	59.44 (2.340)
17	• 26-60-1170	• 26-61-1170	67.21 (2.646)	63.40 (2.496)
18	• 26-60-1180	• 26-61-1180	71.17 (2.802)	67.36 (2.652)

• US Standard Product, available through Molex franchised distributors

Circuit number designation is for ordering purposes only, check corresponding circuit designation on mating connector