

## FEATURES AND SPECIFICATIONS

### Features and Benefits

- Sizes 2 to 18 circuits
- Mounts in chassis .062" thick
- Various pin lengths available (contact factory)
- For voided options see 6420 Series

### Reference Information

Product Specification: PS-08-50  
 Packaging: Bulk  
 Mates With: Molex 3.96mm (.156") pitch connectors  
 Designed In: Inches

### Electrical

Voltage: 250V  
 Current: 7.0A  
 Contact Resistance: 6mΩ max.  
 Dielectric Withstanding Voltage: 1500V  
 Insulation Resistance: 50K MΩ min.

### Physical

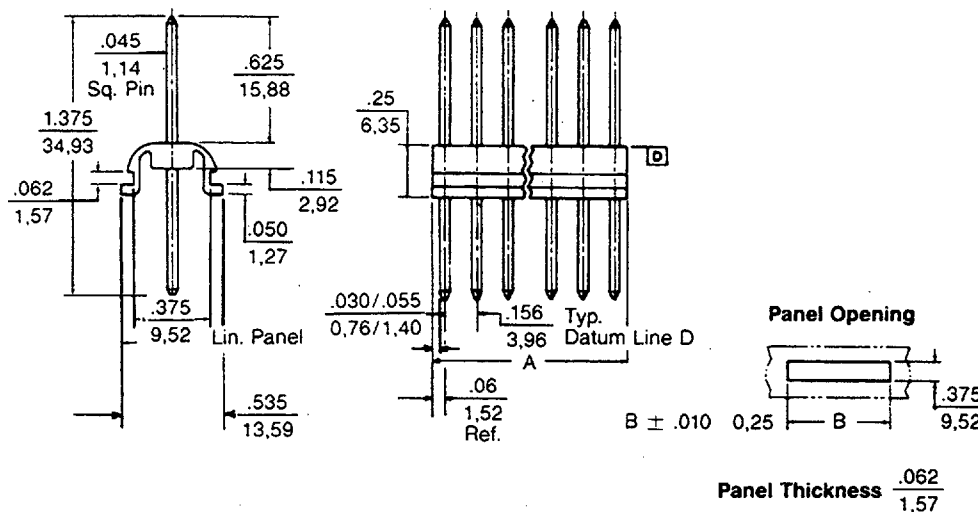
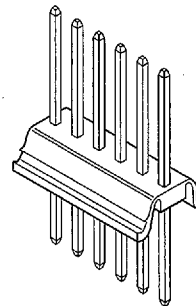
Housing: Nylon, UL 94V-2  
 Contact: Brass, 1.14mm (.045") square



## 3.96mm (.156") Pitch Header

### 2220

## Chassis Mount



## ORDERING INFORMATION AND DIMENSIONS

Circuits	Order No.		Dimension	
	Tin	Gold	A	B
2	09-57-1025	09-78-1021	7.37 (.290)	7.67 (.302)
3	09-57-1035	09-78-1031	11.33 (.446)	11.63 (.458)
4	09-57-1045	09-78-1041	15.29 (.602)	15.60 (.614)
5	09-57-1055	09-78-1051	19.25 (.758)	19.56 (.770)
6	09-57-1065	09-78-1061	23.22 (.914)	23.52 (.926)
7	09-57-1075	09-78-1071	27.18 (1.070)	27.48 (1.082)
8	09-57-1085	09-78-1081	31.14 (1.226)	31.45 (1.238)
9	09-57-1095	09-78-1091	35.10 (1.382)	35.41 (1.394)
10	09-57-1105	09-78-1101	39.07 (1.538)	39.37 (1.550)

Circuits	Order No.		Dimension	
	Tin	Gold	A	B
11	09-57-1115	09-78-1111	43.03 (1.694)	43.33 (1.706)
12	09-57-1125	09-78-1121	46.99 (1.850)	47.29 (1.862)
13	09-57-1135	09-78-1131	50.95 (2.006)	53.54 (2.108)
14	09-57-1145	09-78-1141	54.91 (2.162)	55.22 (2.174)
15	09-57-1155	09-78-1151	58.88 (2.318)	59.18 (2.330)
16	09-57-1165	09-78-1161	62.84 (2.474)	63.14 (2.486)
17	09-57-1175	09-78-1171	66.80 (2.630)	67.11 (2.642)
18	09-57-1185	09-78-1181	70.76 (2.786)	71.07 (2.798)

PCB Connectors

inch  
mm