

**FEATURES AND SPECIFICATIONS**

**Features and Benefits**

- Polarized D-shaped leaf-contact connector for wire-to-board packaging
- Terminates to 30 AWG solid or stranded .025" ribbon cable or laminated discrete wire cable
- Card slot accommodates standard .062" PCB
- Polarizing key orients connector to PCB
- Selectively Gold plated to control costs
- Meets VESA standards for connecting advanced video and graphics cards (68 and 80 circuits)

**Reference Information**

Product Specification: PS-71662  
 Packaging: Tray (subassembly) and bulk (cover)  
 Tooling Information: See page I-128  
 UL File No.: 92NK28881  
 CSA File No.: LR19980-239A  
 Mates With: 71661  
 Designed In: Inches

**Electrical**

Voltage: 30V  
 Current: 1.0A  
 Contact Resistance: 20mΩ max.  
 Dielectric Withstanding Voltage: 500V AC  
 Insulation Resistance: 1000 MΩ min.

**Mechanical**

Contact Retention to Housing: 500g min.  
 Mating Force: 90g max. per contact  
 Unmating Force: 15g min. per contact  
 Normal Force: 90g  
 Durability: 500 cycles min.

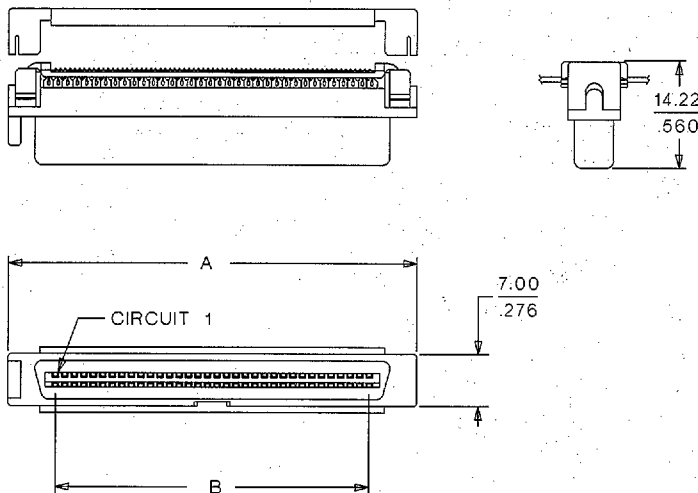
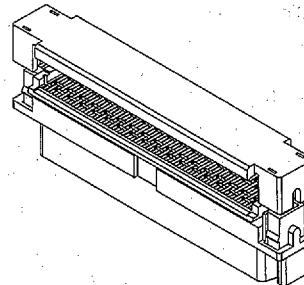
**Physical**

Housing: Black LCP, UL 94V-0  
 Contact: Phosphor Bronze  
 Plating: 30μ min. Gold over 50μ min. Nickel in contact area, 100μ min. Tin/Lead over 50μ min. Nickel on tails  
 Temperature: -40 to +105°C  
 Wire Range: 30 AWG solid or stranded tinned Copper



**1.27mm (.050") Pitch  
 EBBI™ 50D  
 Receptacle**

**71660  
 Vertical  
 IDT**



**ORDERING INFORMATION AND DIMENSIONS**

| Circuits | Order No.    | Dimension     |               |
|----------|--------------|---------------|---------------|
|          |              | A             | B             |
| 30       | • 15-92-3030 | 30.35 (1.195) | 19.68 (.775)  |
| 40       | • 15-92-3040 | 36.70 (1.445) | 26.04 (1.025) |
| 50       | • 15-92-3050 | 43.05 (1.695) | 32.38 (1.275) |
| 60       | • 15-92-3060 | 49.40 (1.945) | 38.74 (1.525) |
| 68       | • 15-92-3068 | 54.48 (2.145) | 43.81 (1.725) |
| 80       | • 15-92-3080 | 62.10 (2.445) | 51.43 (2.025) |

• US Standard Product, available through Molex franchised distributors