

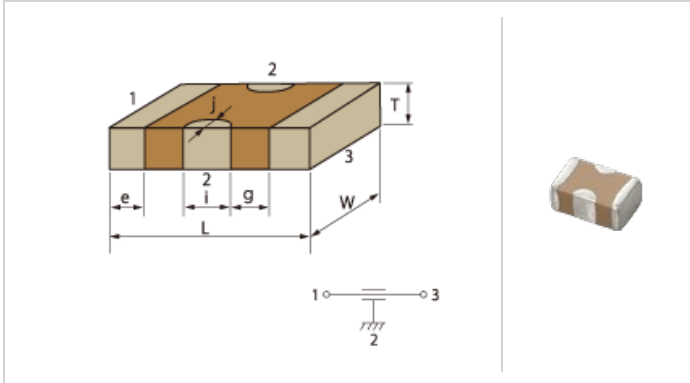
NFM31KC104R1H3#

"#" indicates a package specification code.



< List of part numbers with package codes >
NFM31KC104R1H3L

Shape



L size	3.2 ±0.2mm
W size	1.6 ±0.2mm
T size	1.3 ±0.2mm
External terminal width e	0.4±0.3mm
External terminal size i	1.2±0.3mm
External terminal size j	0.3±0.2mm
Distance between external terminals g	0.3mm min.
Size code in inch(mm)	1206 (3216M)

References

Packaging	Specifications	Minimum quantity
L	φ180mm Embossed taping	3000

Mass (typ.)	
1 piece	38mg
φ180mm Reel	160g

Specifications

Capacitance	0.10μF ±20%
Rated voltage	50Vdc
Operating temperature range	-55 to 125°C
Rated Current	6A
DC Resistance(max.)	3mΩ

⚠ Attention

- 1.This datasheet is downloaded from the website of Murata Manufacturing Co., Ltd. Therefore, it's specifications are subject to change or our products in it may be discontinued without advance notice. Please check with our sales representatives or product engineers before ordering.
- 2.This datasheet has only typical specifications because there is no space for detailed specifications. Therefore, please review our product specifications or consult the approval sheet for product specifications before ordering.