

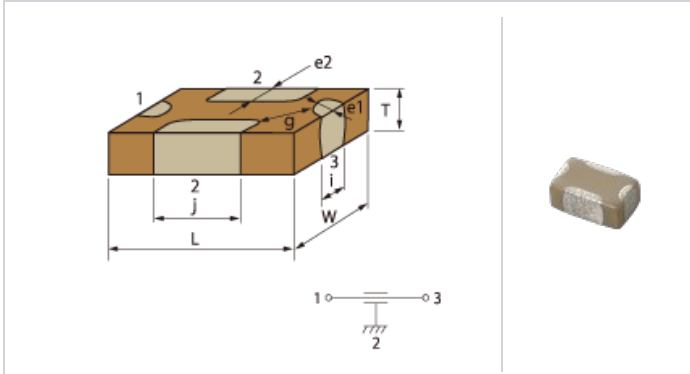
# NFM18PS105R0J3#

"#" indicates a package specification code.



< List of part numbers with package codes >  
NFM18PS105R0J3D

## Shape



L size	1.6 ±0.1mm
W size	0.8 ±0.1mm
T size	0.6 ±0.1mm
External terminal size e1	0.15+0.2/-0.1mm
External terminal size e2	0.15+0.2/-0.1mm
External terminal size i	0.4±0.1mm
External terminal size j	0.8+0.2/-0.1mm
Distance between external terminals g	0.2mm min.
Size code in inch(mm)	0603 (1608M)

## References

Packaging	Specifications	Minimum quantity
D	φ180mm Paper taping	4000

Mass (typ.)	
1 piece	4.3mg
φ180mm Reel	117g

## Specifications

Capacitance	1.0μF ±20%
Rated voltage	6.3Vdc
Operating temperature range	-55 to 105°C
Rated Current	2A
DC Resistance(max.)	30mΩ

1 of 1

## ⚠ Attention

- 1.This datasheet is downloaded from the website of Murata Manufacturing Co., Ltd. Therefore, it's specifications are subject to change or our products in it may be discontinued without advance notice. Please check with our sales representatives or product engineers before ordering.
- 2.This datasheet has only typical specifications because there is no space for detailed specifications. Therefore, please review our product specifications or consult the approval sheet for product specifications before ordering.