

Search by Part Number

Search by Specifications

Search in the Lineups

Search by Competitor's Part Number

Home > Products > Capacitors > Ceramic Capacitors > Product details  

## Chip Monolithic Ceramic Capacitors for General Purpose

▶ Please be sure to read here, before using a product. ▶ Cautions about imitations

# GRM2165C1H681JA01#

"#" indicates a package specification code.

In Production  [Smaller items available](#)





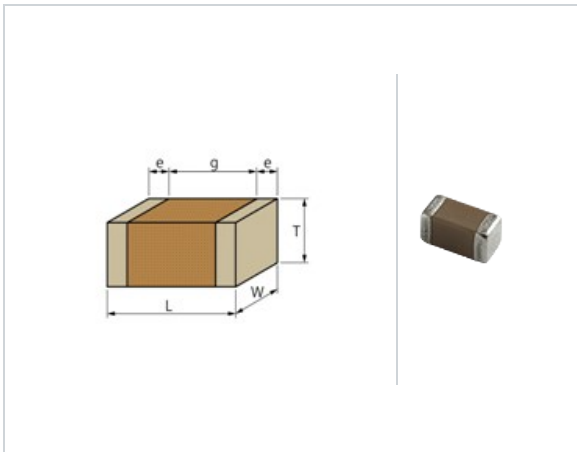




< List of part numbers with package codes >

GRM2165C1H681JA01D、GRM2165C1H681JA01J

## Shape



L size	2.0 ±0.1mm
W size	1.25 ±0.1mm
T size	0.6 ±0.1mm
External terminal width e	0.2 to 0.7mm
Distance between external terminals g	0.7mm min.
Size code in inch(mm)	0805 (2012M)

## Specifications

Capacitance	680pF ±5%
Rated voltage	50Vdc
Temperature characteristics (complied standard)	COG(EIA)
Temperature coefficient	0±30ppm/°C
Temperature range of temperature characteristics	25 to 125°C
Operating temperature range	-55 to 125°C

## References


Packaging	Specifications	Minimum quantity
D	φ180mm Paper taping	4000
J	φ330mm Paper taping	10000

Mass (typ.)	
1 piece	6.4mg

[Stock Check \(Where to buy\)](#) 


[PDF Catalogs](#)

[Download a PDF file of this page](#) 

[How to read part numbers](#) 


[Series Information](#) 

### Specifications

[Detailed specifications sheet](#) 

- Rated value
- Specifications and Test methods
- Package
- Caution, Notice (Storage, Soldering and Mounting, ...etc.)

### Product data

[Reliability test data \(Typical data\)](#) 

φ180mm Reel

126g

[Top of page](#)

[Investor Relations](#) | [About Murata](#) | [Careers](#) | [Contact Us](#) | [my Murata](#)

[Site Policy](#) | [Privacy](#) | [Site Help](#) | [Site Map](#) Copyright © Murata Manufacturing Co., Ltd. All Rights Reserved.