

Search by Part Number

Search by Specifications

Search in the Lineups

Search by Competitor's Part Number

Home > Products > Capacitors > Ceramic Capacitors > Product details  

## Chip Monolithic Ceramic Capacitors for General Purpose

▶ Please be sure to read here, before using a product. ▶ Cautions about imitations

# GRM21BR71H473KA01#

"#" indicates a package specification code.

In Production  [Smaller items available](#)





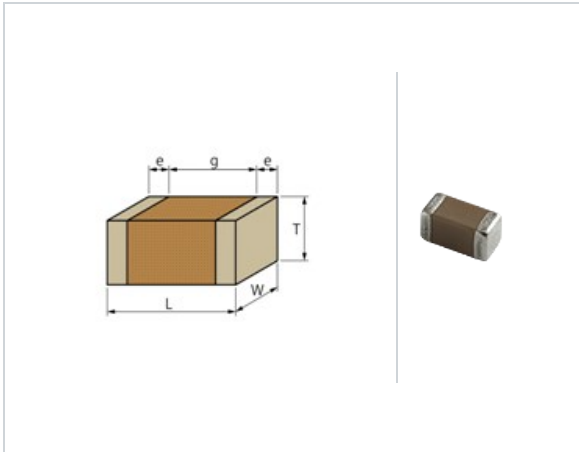




< List of part numbers with package codes >

GRM21BR71H473KA01L、GRM21BR71H473KA01K

## Shape



L size	2.0 ±0.1mm
W size	1.25 ±0.1mm
T size	1.25 ±0.1mm
External terminal width e	0.2 to 0.7mm
Distance between external terminals g	0.7mm min.
Size code in inch(mm)	0805 (2012M)

## Specifications

Capacitance	47000pF ±10%
Rated voltage	50Vdc
Temperature characteristics (complied standard)	X7R(EIA)
Capacitance change rate	±15.0%
Temperature range of temperature characteristics	-55 to 125°C
Operating temperature range	-55 to 125°C

## References

Packaging	Specifications	Minimum quantity
L	φ180mm Embossed taping	3000
K	φ330mm Embossed taping	10000

Mass (typ.)	
1 piece	17mg

[Stock Check \(Where to buy\)](#) 

[PDF Catalogs](#)

[Download a PDF file of this page](#) 

[How to read part numbers](#) >

[Series Information](#) >

### Specifications

[Detailed specifications sheet](#) >

- Rated value
- Specifications and Test methods
- Package
- Caution, Notice (Storage, Soldering and Mounting, ...etc.)

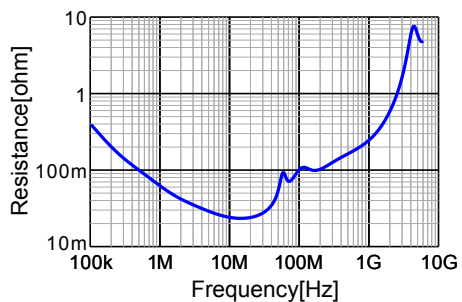
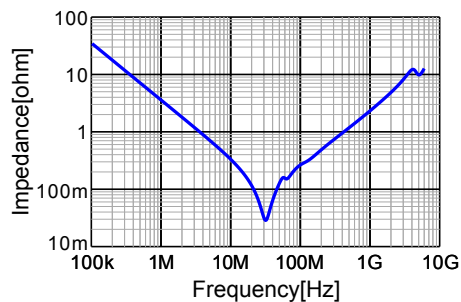
### Product data



[SPICE Netlist \(mod type\)](#) >

[S parameter \(S2P type\)](#) >

[Reliability test data \(Typical data\)](#) >

### Chart of characteristic data



 [Go to the detailed chart](#) 

[Top of page](#)