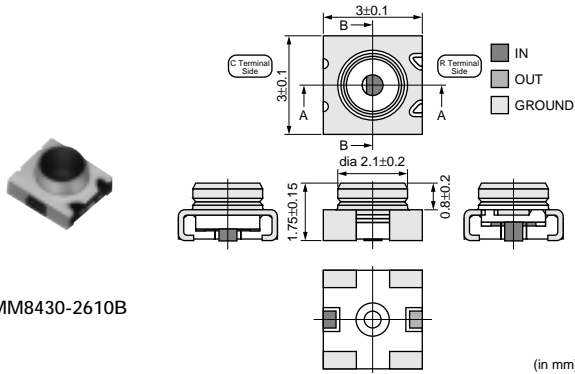


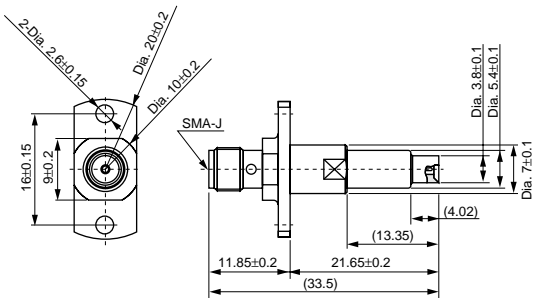
Coaxial Connectors with Switches



MM8430-2610B

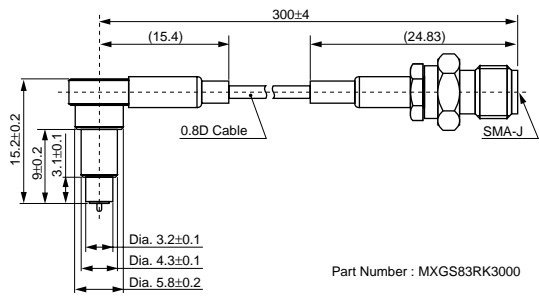
(in mm)

Measurement Probe (P/N:MM126036)



(in mm)

Measurement Probe (P/N:MXGS83RK3000)



Part Number : MXGS83RK3000

(in mm)

Part Number	Rated Voltage (Vrms)	Frequency Rating (GHz)	Temperature Range	VSWR
MM8430-2610B	250	to 6	-40 to +85degree C	1.2 max.(DC to 3GHz)

Impedance : 50ohm

Note • This catalog has only typical specifications because there is no space for detailed specifications. Therefore, please approve our product specifications or transact the approval sheet for product specifications before ordering. Especially, please read rating and **CAUTION** (for storage, operating, rating, soldering, mounting and handling) in them to prevent smoking and/or burning, etc.
 • You are able to read a detailed specifications in the website (<http://search.murata.co.jp/>) before to require our product specifications or to transact the approval sheet for product specifications.