

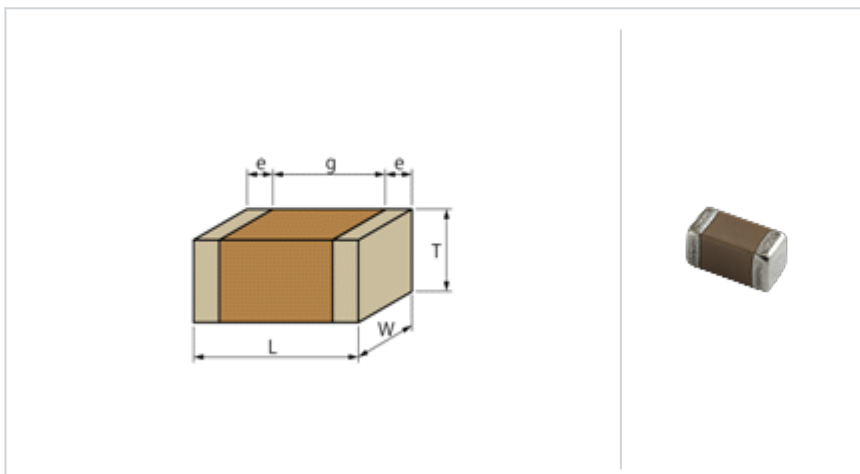
# GRM21BR60G107ME15#

" # " indicates a package specification code.

Available   Complies with RoHS 

< List of part numbers with package codes >  
GRM21BR60G107ME15L

## Shape



L size	2.0 ± 0.2mm
W size	1.25 ± 0.2mm
T size	1.25 ± 0.2mm
External terminal width e	0.2 to 0.7mm
Distance between external terminals g	0.7mm min.
Size code in inch(mm)	0805 (2012)

## Specifications

Capacitance	100µF ± 20%
Rated voltage	4Vdc
Temperature characteristics (complied standard)	X5R(EIA)
Capacitance change rate	± 15.0%
Temperature range of temperature characteristics	-55 to 85
Operating temperature range	-55 to 85

## Notes

Measure capacitance after heat treatment (150C/1hr + room temp./24hr)  
Volt. & temp. derating recommended product

## References

Packaging	Specifications	Minimum quantity
L	180mm Embossed taping	3000

Mass (typ.)	
1 piece	23mg
180mm Reel	118g

### Attention

- 1.This datasheet is downloaded from the website of Murata Manufacturing Co., Ltd. Therefore, it ' s specifications are subject to change or our products in it may be discontinued without advance notice. Please check with our sales representatives or product engineers before ordering.
- 2.This datasheet has only typical specifications because there is no space for detailed specifications.  
Therefore, please review our product specifications or consult the approval sheet for product specifications before ordering.