

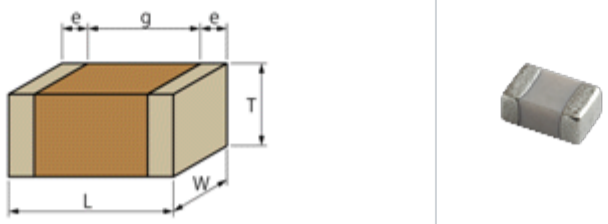
GQM1875C2ER30BB12#

"#" indicates a package specification code.

Available   Complies with RoHS 

< List of part numbers with package codes >
GQM1875C2ER30BB12D

Shape

	
L size	1.6 ± 0.15mm
W size	0.8 ± 0.15mm
T size	0.7 ± 0.1mm
External terminal width e	0.2 to 0.5mm
Distance between external terminals g	0.5mm min.
Size code in inch(mm)	0603 (1608)

References

Packaging	Specifications	Minimum quantity
D	180mm Paper taping	4000

Mass (typ.)	
1 piece	6.3mg
180mm Reel	144g

Specifications

Capacitance	0.30pF ± 0.1pF
Rated voltage	250Vdc
Temperature characteristics (complied standard)	COG(EIA)
Temperature coefficient	0 ± 30ppm/
Temperature range of temperature characteristics	25 to 125
Operating temperature range	-55 to 125

Attention

- 1.This datasheet is downloaded from the website of Murata Manufacturing Co., Ltd. Therefore, it ' s specifications are subject to change or our products in it may be discontinued without advance notice. Please check with our sales representatives or product engineers before ordering.
- 2.This datasheet has only typical specifications because there is no space for detailed specifications. Therefore, please review our product specifications or consult the approval sheet for product specifications before ordering.