

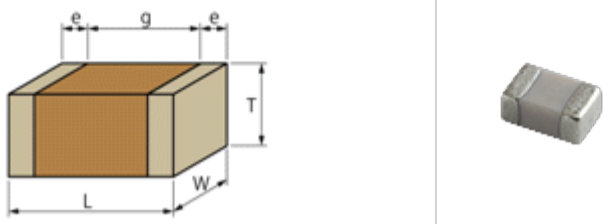
GQM2195C2E750GB12#

"#" indicates a package specification code.

Recommended   Complies with RoHS 

< List of part numbers with package codes >
GQM2195C2E750GB12D

Shape



L size	2.0 ± 0.15mm
W size	1.25 ± 0.15mm
T size	0.85 ± 0.15mm
External terminal width e	0.2 to 0.7mm
Distance between external terminals g	0.7mm min.
Size code in inch(mm)	0805 (2012)

References

Packaging	Specifications	Minimum quantity
D	180mm Paper taping	4000

Mass (typ.)	
1 piece	9.5mg
180mm Reel	152g

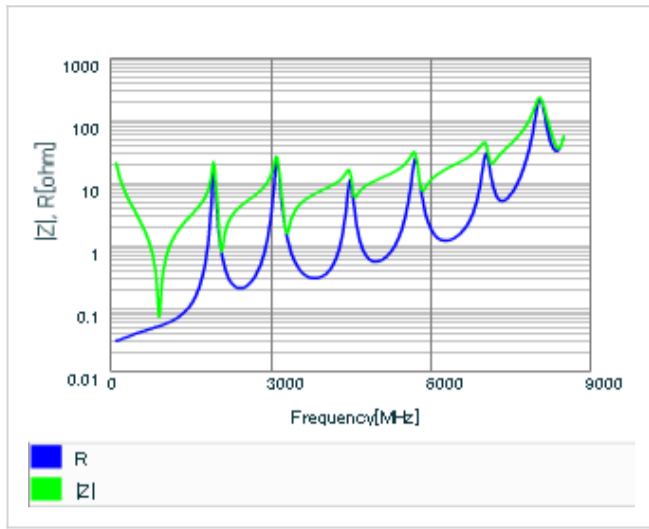
Specifications

Capacitance	75pF ± 2%
Rated voltage	250Vdc
Temperature characteristics (complied standard)	COG(EIA)
Temperature coefficient	0 ± 30ppm/
Temperature range of temperature characteristics	25 to 125
Operating temperature range	-55 to 125

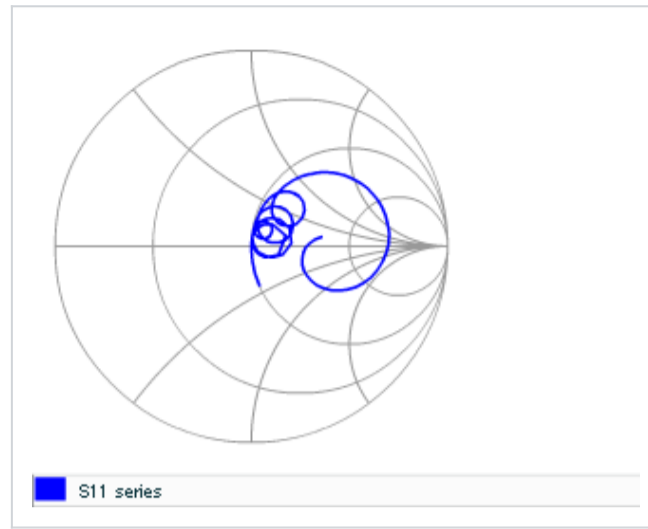
Attention

- 1.This datasheet is downloaded from the website of Murata Manufacturing Co., Ltd. Therefore, it ' s specifications are subject to change or our products in it may be discontinued without advance notice. Please check with our sales representatives or product engineers before ordering.
- 2.This datasheet has only typical specifications because there is no space for detailed specifications. Therefore, please review our product specifications or consult the approval sheet for product specifications before ordering.

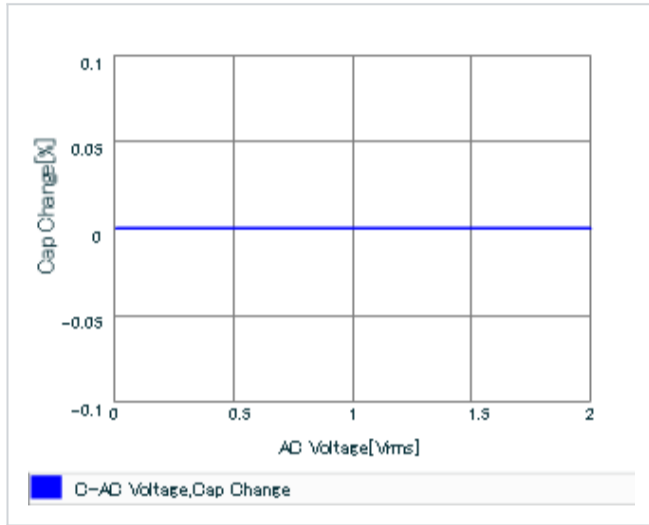
▪ Frequency characteristics (ESR, Impedance)



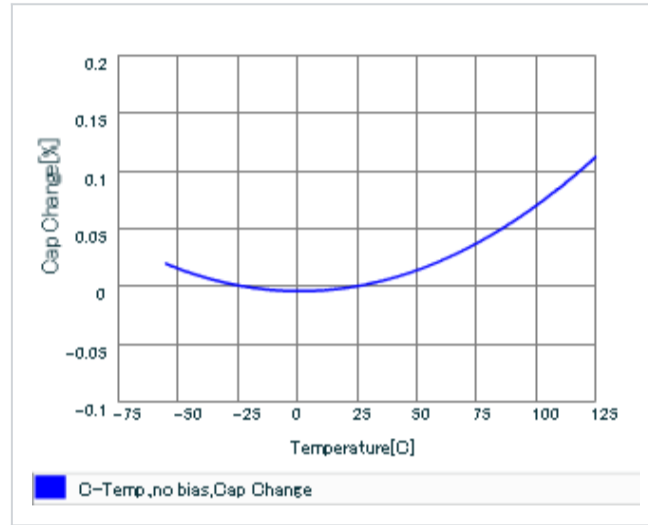
▪ S parameter (Smith chart S11)



▪ AC voltage characteristics



▪ Capacitance - temperature characteristics



This PDF data has only typical specifications because there is no space for detailed specifications. Therefore, please review our product specifications or consult the approval sheet for product specifications before ordering.