

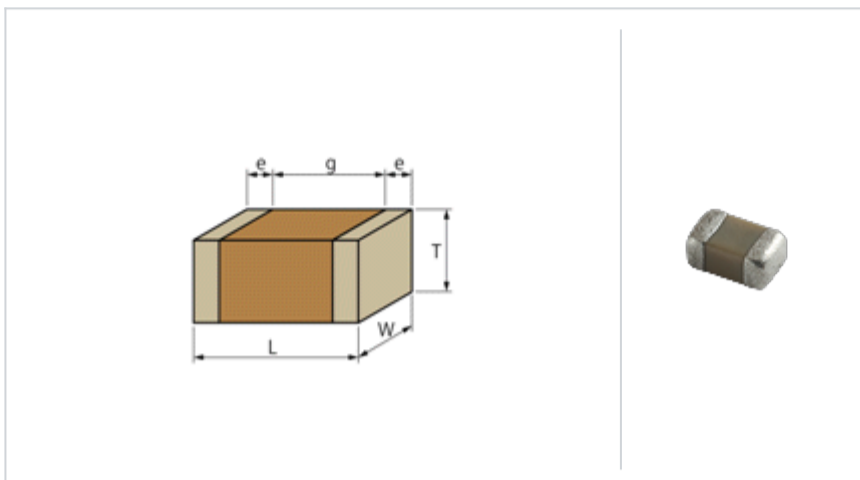
# GR442QR73D471KW01#

"#" indicates a package specification code.



< List of part numbers with package codes >  
GR442QR73D471KW01L

## Shape



L size	4.5 ± 0.3mm
W size	2.0 ± 0.2mm
T size	1.5 +0/-0.3mm
External terminal width e	0.3mm min.
Distance between external terminals g	2.5mm
Size code in inch(mm)	1808 (4520)

## Notes

LAN/DC-DC Converter Primary-Secondary Couplings only

## References

Packaging	Specifications	Minimum quantity
L	180mm Embossed taping	2000

## Specifications

Capacitance	470pF ± 10%
Rated voltage	2000Vdc
Temperature characteristics (complied standard)	X7R(EIA)
Capacitance change rate	± 15%
Temperature range of temperature characteristics	-55 to 125
Operating temperature range	-55 to 125

### ⚠ Attention

- 1.This datasheet is downloaded from the website of Murata Manufacturing Co., Ltd. Therefore, it ' s specifications are subject to change or our products in it may be discontinued without advance notice. Please check with our sales representatives or product engineers before ordering.
- 2.This datasheet has only typical specifications because there is no space for detailed specifications. Therefore, please review our product specifications or consult the approval sheet for product specifications before ordering.