

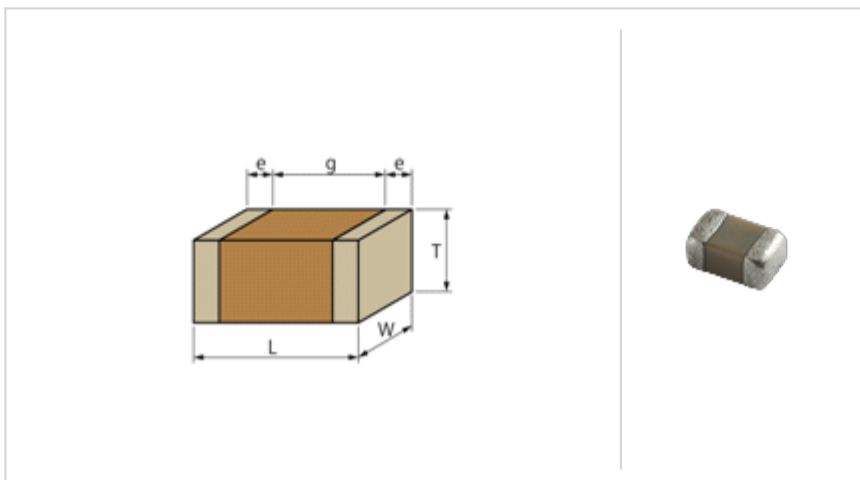
GRJ55DR72J224KWJ1#

"#" indicates a package specification code.



< List of part numbers with package codes >
GRJ55DR72J224KWJ1L

Shape



L size	5.7 ± 0.4mm
W size	5.0 ± 0.4mm
T size	2.0 +0/-0.3mm
External terminal width e	0.3mm min.
Distance between external terminals g	3.2mm
Size code in inch(mm)	2220 (5750)

References

Packaging	Specifications	Minimum quantity
L	180mm Embossed taping	1000

Specifications

Capacitance	0.22µF ± 10%
Rated voltage	630Vdc
Temperature characteristics (complied standard)	X7R(EIA)
Capacitance change rate	± 15%
Temperature range of temperature characteristics	-55 to 125
Operating temperature range	-55 to 125

⚠ Attention

- 1.This datasheet is downloaded from the website of Murata Manufacturing Co., Ltd. Therefore, it ' s specifications are subject to change or our products in it may be discontinued without advance notice. Please check with our sales representatives or product engineers before ordering.
- 2.This datasheet has only typical specifications because there is no space for detailed specifications. Therefore, please review our product specifications or consult the approval sheet for product specifications before ordering.