

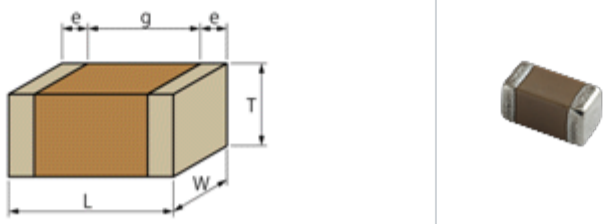
GRM32EC81E226KE15#

"#" indicates a package specification code.

Available  

< List of part numbers with package codes >
GRM32EC81E226KE15L , GRM32EC81E226KE15K

Shape

	
L size	3.2 ± 0.3mm
W size	2.5 ± 0.2mm
T size	2.5 ± 0.2mm
External terminal width e	0.3mm min.
Distance between external terminals g	1.0mm min.
Size code in inch(mm)	1210 (3225)

References

Packaging	Specifications	Minimum quantity
L	180mm Embossed taping	1000
K	330mm Embossed taping	4000

Mass (typ.)	
1 piece	110mg
180mm Reel	168g

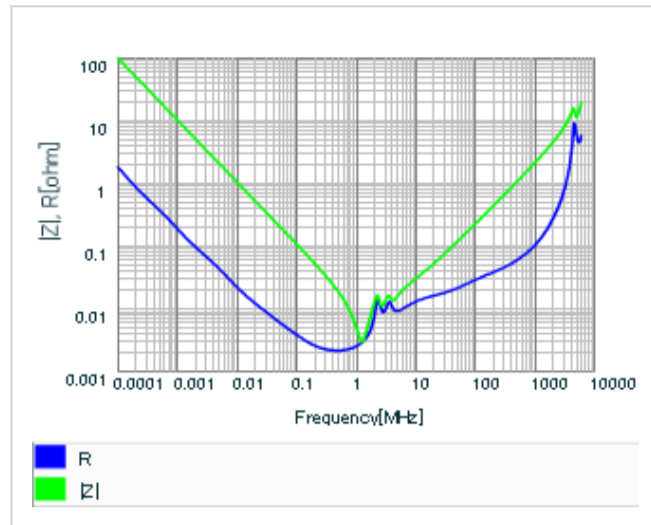
Specifications

Capacitance	22µF ± 10%
Rated voltage	25Vdc
Temperature characteristics (complied standard)	X6S(EIA)
Capacitance change rate	± 22.0%
Temperature range of temperature characteristics	-55 to 105
Operating temperature range	-55 to 105

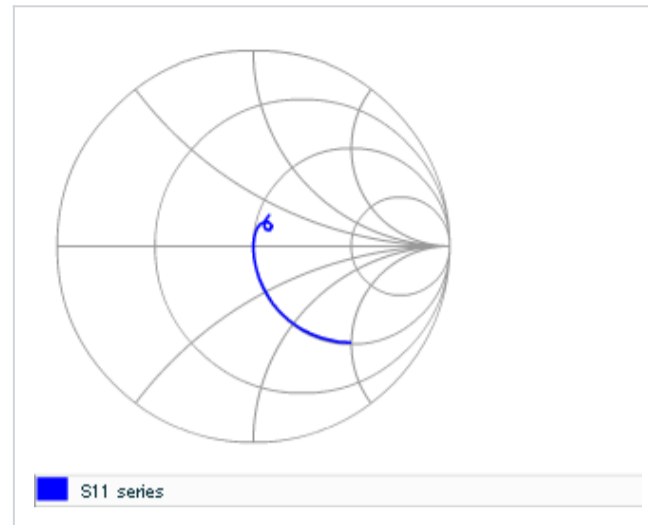
Attention

- 1.This datasheet is downloaded from the website of Murata Manufacturing Co., Ltd. Therefore, it ' s specifications are subject to change or our products in it may be discontinued without advance notice. Please check with our sales representatives or product engineers before ordering.
- 2.This datasheet has only typical specifications because there is no space for detailed specifications. Therefore, please review our product specifications or consult the approval sheet for product specifications before ordering.

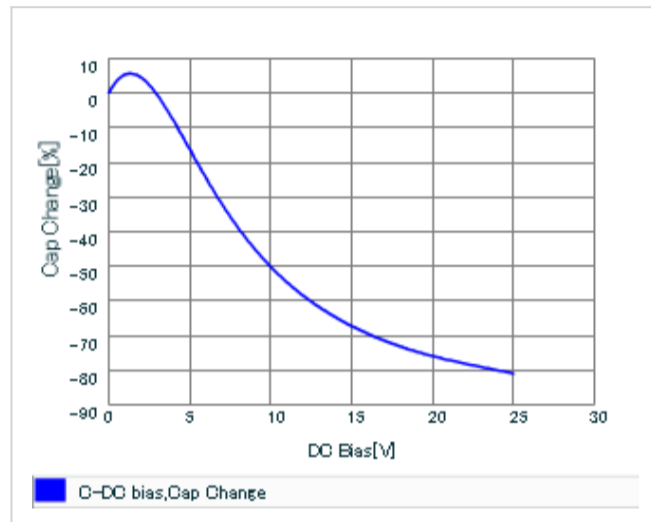
▪ Frequency characteristics (ESR, Impedance)



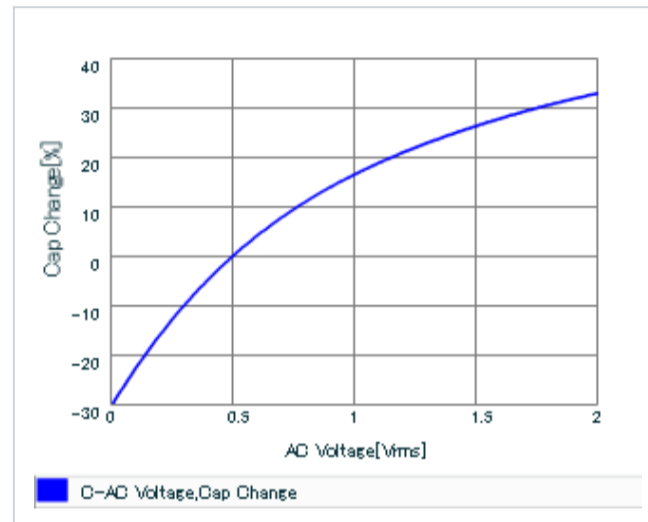
▪ S parameter (Smith chart S11)



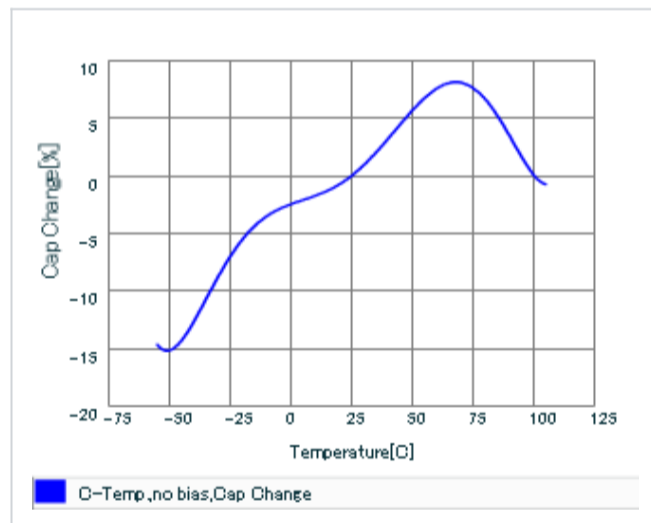
▪ DC bias characteristics



▪ AC voltage characteristics



▪ Capacitance - temperature characteristics



▪ Calorific property by ripple current

