

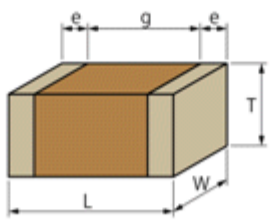

GRM32NR71H224KA01#

"#" indicates a package specification code.

Available  

< List of part numbers with package codes >
GRM32NR71H224KA01L , GRM32NR71H224KA01K

Shape

L size	3.2 ± 0.3mm
W size	2.5 ± 0.2mm
T size	1.35 ± 0.15mm
External terminal width e	0.3mm min.
Distance between external terminals g	1.0mm min.
Size code in inch(mm)	1210 (3225)

References

Packaging	Specifications	Minimum quantity
L	180mm Embossed taping	2000
K	330mm Embossed taping	8000

Mass (typ.)	
1 piece	57mg
180mm Reel	174g

Specifications

Capacitance	0.22µF ± 10%
Rated voltage	50Vdc
Temperature characteristics (complied standard)	X7R(EIA)
Capacitance change rate	± 15.0%
Temperature range of temperature characteristics	-55 to 125
Operating temperature range	-55 to 125

Attention

- 1.This datasheet is downloaded from the website of Murata Manufacturing Co., Ltd. Therefore, it ' s specifications are subject to change or our products in it may be discontinued without advance notice. Please check with our sales representatives or product engineers before ordering.
- 2.This datasheet has only typical specifications because there is no space for detailed specifications. Therefore, please review our product specifications or consult the approval sheet for product specifications before ordering.