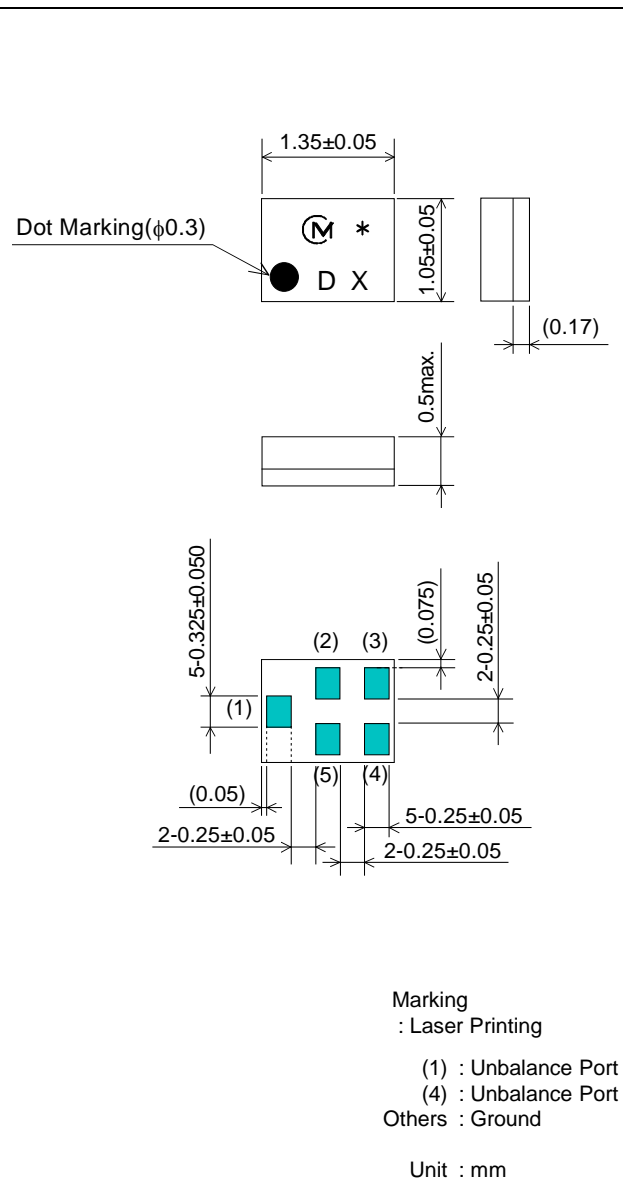


SAW FILTER FOR Band13

Murata part number : SAFEA751MAL0F00

Package Dimensions



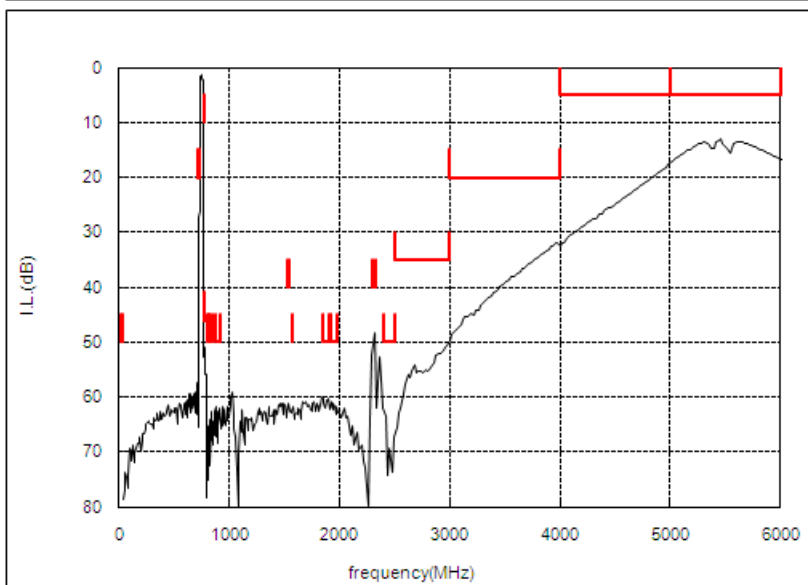
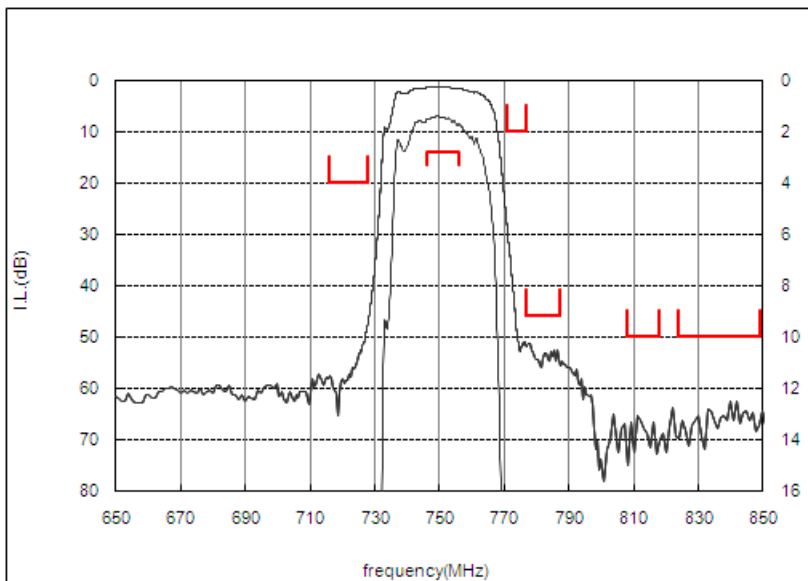
Specification

Item	Specification		
	-30 to 85°C	25±2°C	typ.
Nominal Center Frequency(fc)	751MHz		
Insertion Loss (746 to 756MHz)	2.8 dB max.	2.5 dB max.	1.7 dB
Absolute Attenuation			
1) 15.5 to 15.5 MHz	50 dB min.	50 dB min.	61 dB
2) 31 to 31 MHz	50 dB min.	50 dB min.	61 dB
3) 716 to 728 MHz	20 dB min.	20 dB min.	41 dB
4) 771 to 777 MHz	10 dB min.	10 dB min.	16 dB
5) 777 to 787 MHz	46 dB min.	46 dB min.	51 dB
6) 808 to 818 MHz	50 dB min.	50 dB min.	65 dB
7) 824 to 849 MHz	50 dB min.	50 dB min.	64 dB
8) 880 to 915 MHz	50 dB min.	50 dB min.	62 dB
9) 1523 to 1543 MHz	40 dB min.	40 dB min.	60 dB
10) 1570 to 1580 MHz	50 dB min.	50 dB min.	60 dB
11) 1850 to 1910 MHz	50 dB min.	50 dB min.	58 dB
12) 1920 to 1980 MHz	50 dB min.	50 dB min.	58 dB
13) 2300 to 2330 MHz	40 dB min.	40 dB min.	48 dB
14) 2400 to 2500 MHz	50 dB min.	50 dB min.	59 dB
15) 2500 to 3000 MHz	35 dB min.	35 dB min.	52 dB
16) 3000 to 4000 MHz	20 dB min.	20 dB min.	32 dB
17) 4000 to 5000 MHz	5 dB min.	5 dB min.	16 dB
18) 5000 to 6000 MHz	5 dB min.	5 dB min.	14 dB
Ripple Deviation (746 to 756MHz)	1.3 dB max.	1.1 dB max.	0.6 dB
VSWR (746 to 756MHz)	1.8 max.	1.7 max.	1.2
Unbalance Port Matching Impedance (nominal)	50Ω		
Input Signal Level	31.6mW (+15dBm), 2000 hours		

SAW FILTER FOR Band13

Murata part number : SAFEA751MAL0F00

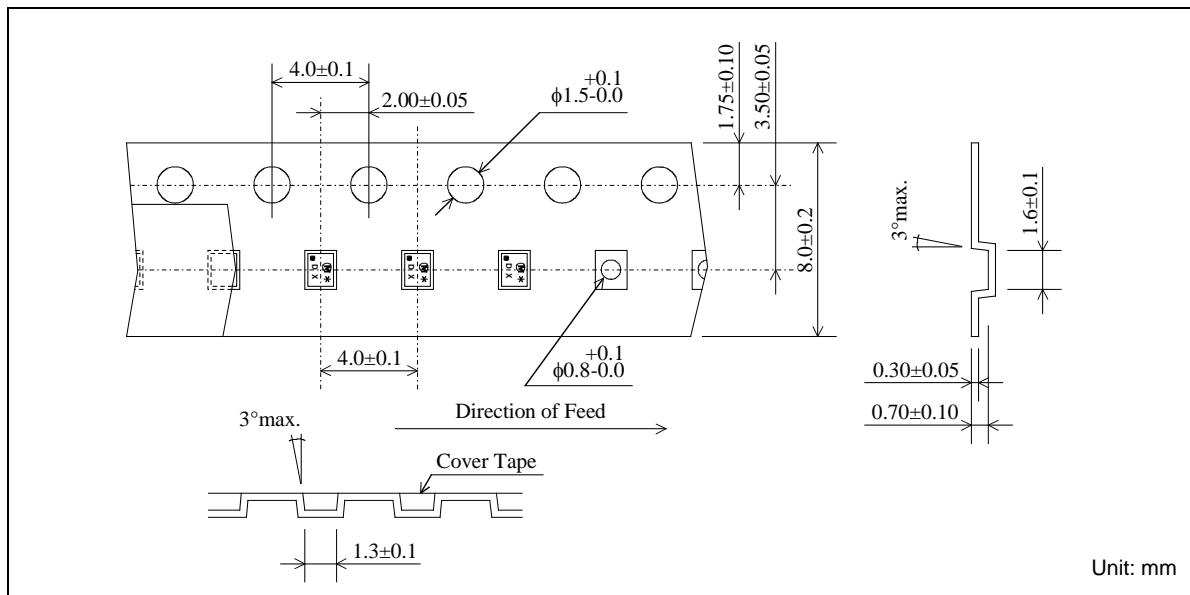
Frequency Performance



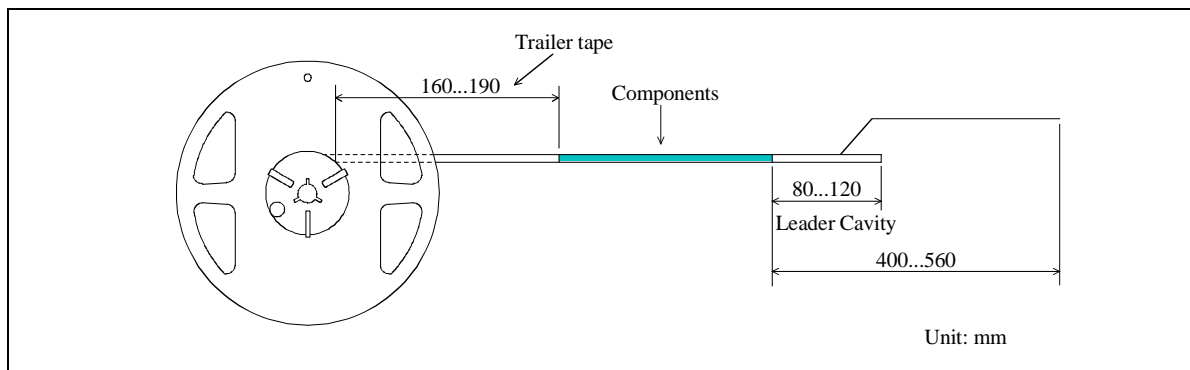
SAW FILTER FOR Band13

Murata part number : SAFEA751MAL0F00

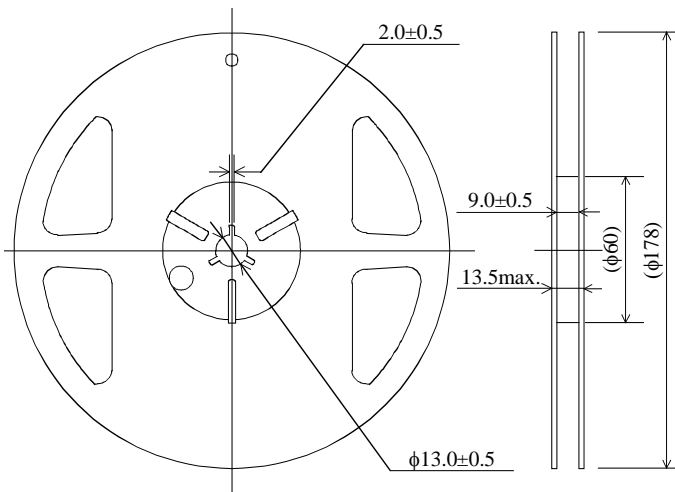
Dimensions of Carrier Tape



Dimensions of Tape



Dimensions of Reel



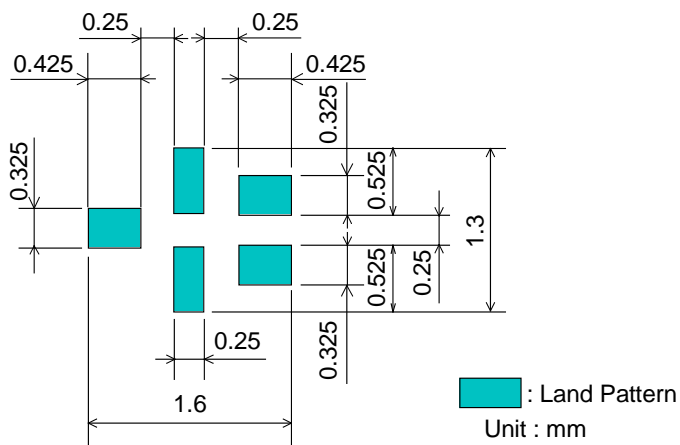
Unit: mm

SAFEA751MAL0F00R12 ... 2000pcs/reel
SAFEA751MAL0F00R14 ... 4000pcs/reel

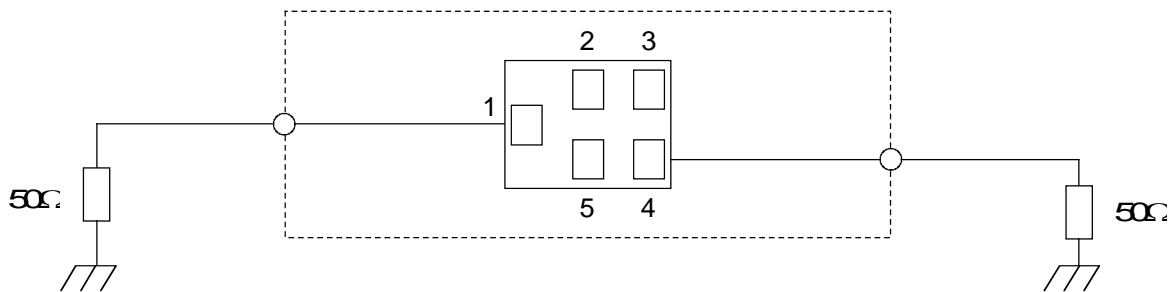
SAW FILTER FOR Band13

Murata part number : SAFEA751MAL0F00

Recommended Land Pattern



Test Circuit



SAW FILTER FOR Band13

Murata part number : SAFEA751MAL0F00

■ RoHS Compliance

This component is compliant with RoHS directive.

This component was always RoHS compliant from the first date of manufacture.

• Caution - Limitation of Applications

Please contact us before using our products for the applications listed below which require especially for the prevention of defects which might directly cause damage to the third party's life, body or property.

- a. Aircraft equipment
- b. Aerospace equipment
- c. Undersea equipment
- d. Nuclear control equipment
- e. Medical equipment
- f. Transportation equipment (vehicles, trains, ships, etc.)
- g. Traffic signal equipment
- h. Disaster prevention / crime prevention equipment
- i. Data - processing equipment
- j. Application of similar complexity and / or reliability requirements to the applications listed in the above

• This PDF Datasheet is downloaded from the website of Murata Manufacturing Co., Ltd. Therefore, it's specifications are subject to change or our products in it may be discontinued without advance notice. Please check with our sales representatives or product engineers before ordering.

• This PDF Datasheet has only typical specifications because there is no space for detailed specifications. Therefore, please approve our product specifications or transact the approval sheet for product specifications before ordering.