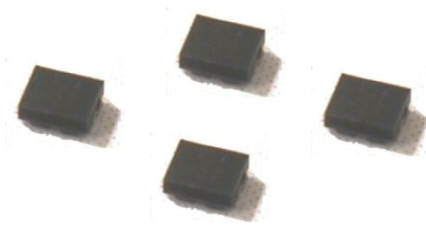




# Data Sheet of SAW Components



Note : Murata SAW Component is applicable for Cellular /Cordless phone (Terminal) relevant market only.

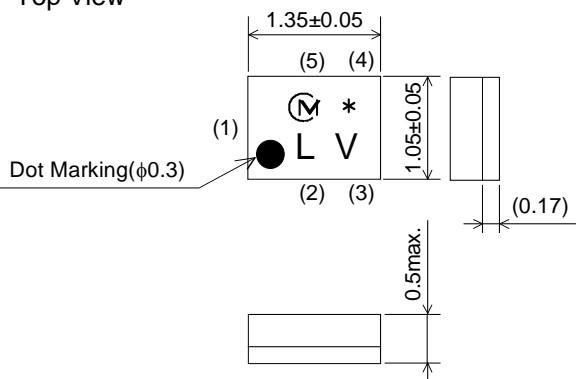
Please also read caution at the end of this document.

# SAW FILTER FOR UMTS BC2 Tx

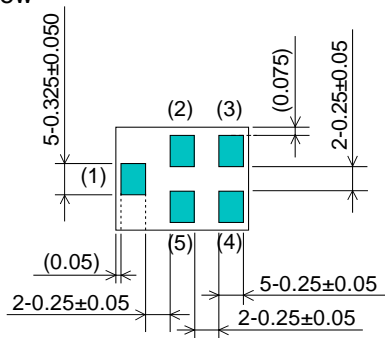
Murata part number : SAFEA1G88KB7F00

## Package Dimensions

Top View



Bottom View



Marking  
: Laser Printing

(1) : Input  
(4) : Output  
Others : Ground

Unit : mm

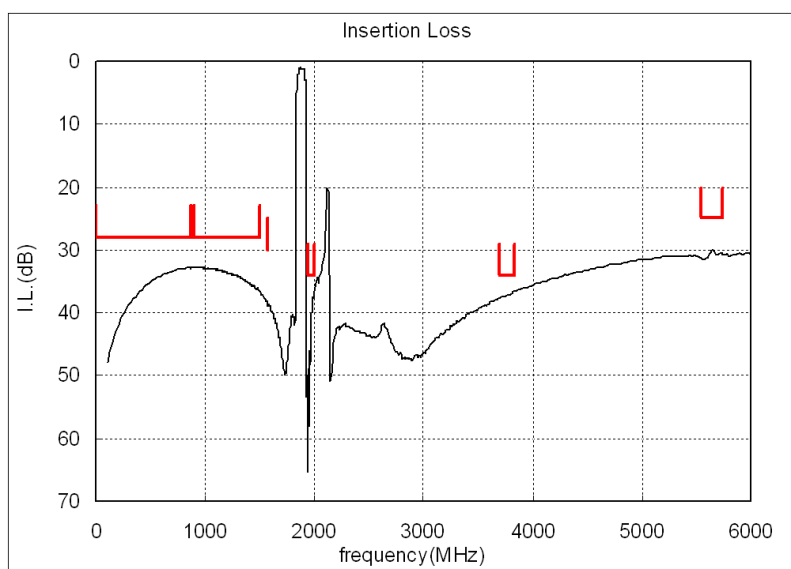
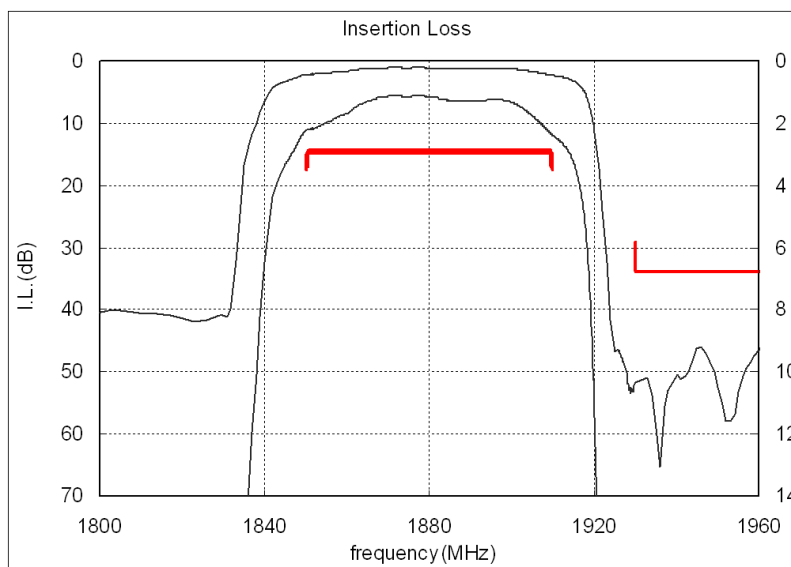
## Specification

Item	Specification		
	-30 to 85°C	25±2°C	typ.
Nominal Center Frequency(fc)	1880MHz		
Insertion Loss (1850 to 1910MHz)	3.8 dB max.	3.0 dB max.	2.4 dB
	(1850.5 to 1909.5MHz)	3.4 dB max.	2.9 dB max.
Absolute Attenuation	1) 0.1 to 869 MHz	28 dB min.	28 dB min.
	2) 869 to 894 MHz	28 dB min.	28 dB min.
	3) 894 to 1500 MHz	28 dB min.	28 dB min.
	4) 1574 to 1577 MHz	30 dB min.	30 dB min.
	5) 1930 to 1990 MHz	34 dB min.	34 dB min.
	6) 3690 to 3830 MHz	34 dB min.	34 dB min.
	7) 5540 to 5740 MHz	25 dB min.	25 dB min.
Ripple Deviation (1850 to 1910MHz)	2.7dB max.	2.0dB max.	1.4 dB
	(1850.5 to 1909.5MHz)	2.5dB max.	1.9dB max.
VSWR (1850 to 1910MHz)	2.0 max.	1.9 max.	1.8
Input/Output Impedance (nominal)	50Ω		
Input Signal Level	20mW (+13dBm), 2000 hours		

# SAW FILTER FOR UMTS BC2 Tx

Murata part number : SAFEA1G88KB7F00

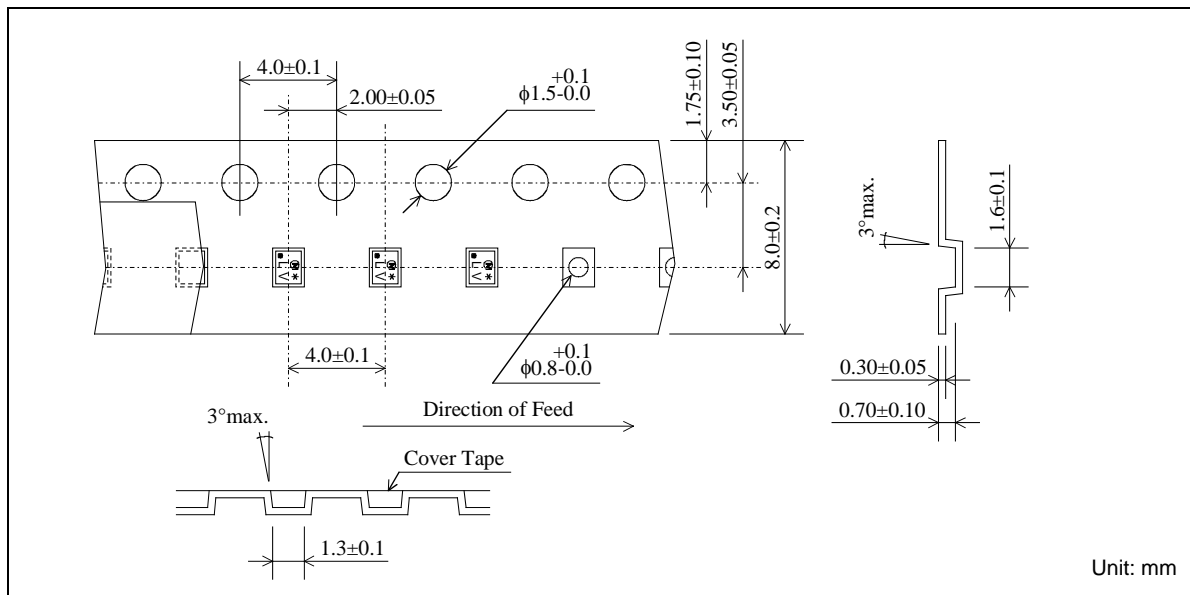
## Frequency Performance



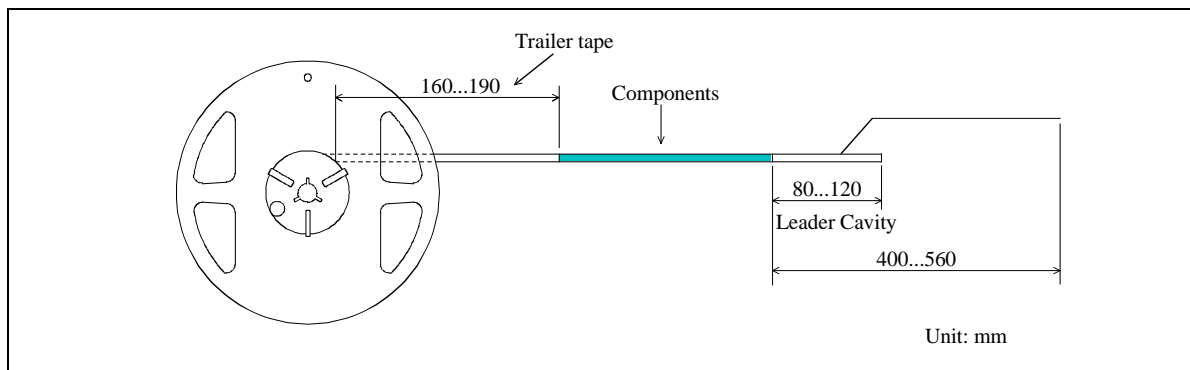
# SAW FILTER FOR UMTS BC2 Tx

Murata part number : SAFEA1G88KB7F00

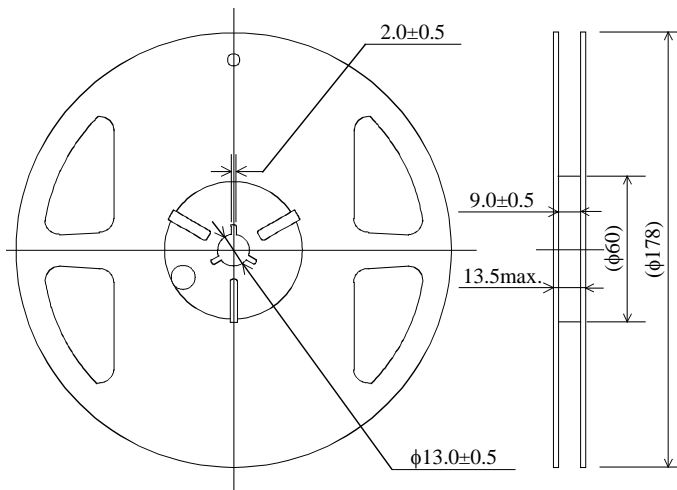
## Dimensions of Carrier Tape



## Dimensions of Tape



## Dimensions of Reel



Unit: mm

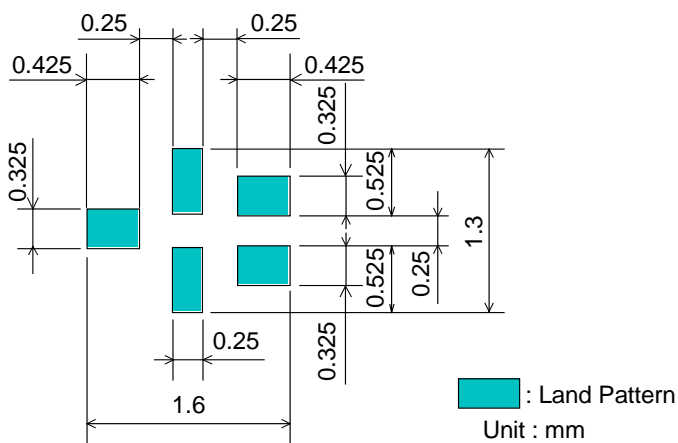
SAFEA1G88KB7F00R14 ... 4000pcs/reel  
SAFEA1G88KB7F00R12 ... 2000pcs/reel

# SAW FILTER FOR UMTS BC2 Tx

Murata part number : SAFEA1G88KB7F00

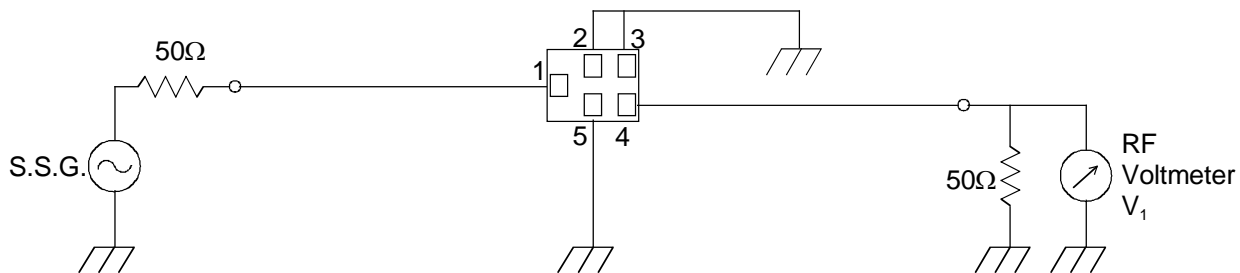
## Recommended Land Pattern

Top View



## Test Circuit

Bottom View



# SAW FILTER FOR UMTS BC2 Tx

Murata part number : SAFEA1G88KB7F00

## ■ RoHS Compliance

This component is compliant with RoHS directive.

This component was always RoHS compliant from the first date of manufacture.

### • Caution - Limitation of Applications

This product is intended for the following applications only; however, please do not use this product in these applications where defects might directly cause damage to a third party's life, body or property.

- a. Mobile Telephone
- b. Cordless phone (except for Automotive use)
- c. PC (Including Notebook PC, Netbook PC, Tablet)
- d. Game
- e. Camera (except for Business/security use)
- f. Set Top Box
- g. Electronic dictionary
- h. Digital audio equipment

• This catalog is for reference only and not an official product specification document, therefore, please review and approve our official product specification before ordering this product.