

## ● Part Numbering

### Coaxial Connectors (Chip Type Receptacle)

(Part Number) 

MM	7329	-27	00	R	A1
----	------	-----	----	---	----

①    ②    ③    ④    ⑤    ⑥

#### ① Product ID

Product ID	
<b>MM</b>	Microwave Coaxial Connectors (Chip Type Receptacle)

#### ② Series

Code	Series
<b>3325</b>	BFA Type Straight
<b>3326</b>	BFA Type Right Angle
<b>4829</b>	HSC Type
<b>7329</b>	FSC Type
<b>8430</b>	SWD Type
<b>9329</b>	GSC Type

#### ③ Individual Specification Code (1)

Code	Individual Specification Code (1)
<b>-25</b>	Discrete Terminal
<b>-26</b>	Switch Connector SMD Type
<b>-27</b>	Connector SMD Type

#### ④ Individual Specification Code (2)

Code	Individual Specification Code (2)
<b>00</b>	Serial

#### ⑤ Package Product ID

Code	Package Product ID
<b>B</b>	Bulk
<b>R</b>	Reel

#### ⑥ Package Detail

Code	Package Detail
<b>A1</b>	FSC, SWD, GSC Type 1000pcs. /Reel (ø178mm)
<b>A4</b>	HSC Type, 4000pcs. /Reel (ø178mm)
<b>B0</b>	HSC Type, 10000pcs. /Reel (ø330mm)
<b>B3</b>	SWD Type, 3000pcs. /Reel (ø330mm)
<b>B4</b>	FSC Type, 4000pcs. /Reel (ø330mm)
<b>B5</b>	GSC Type, 5000pcs. /Reel (ø330mm)

### Coaxial Connectors (with Cable)

(Part Number) 

MX	FG	76			
----	----	----	--	--	--

①    ②    ③    ④    ⑤    ⑥

#### ① Product ID

Product ID	
<b>MX</b>	Coaxial Connectors (with Cable)

#### ② Connector (1)

Code	Connector (1)
<b>FG</b>	FSC Type for 76 Cable
<b>FK</b>	FSC Type for 81 Cable
<b>HK</b>	HSC Type
<b>TK</b>	GSC Type
<b>YH</b>	BFA Type

#### ③ Cable

Code	Cable
<b>62</b>	0.8D, PE, Double Shield Line
<b>63</b>	0.8D, PE, Single Shield Line
<b>75</b>	0.8D, FEP, Double Shield Line
<b>76</b>	0.8D, FEP, Single Shield Line
<b>81</b>	0.4D, FEP, Single Shield Line
<b>88</b>	0.4D, PFA, Single Shield Line, Single Line
<b>92</b>	0.4D, PFA, Single Shield Line, Spiral
<b>98</b>	0.4D, PFA, Single Shield Line, Spiral

#### ④ Connector (2)

Code	Connector (2)
<b>FG</b>	FSC Type for 76 Cable
<b>FK</b>	FSC Type for 81 Cable
<b>HK</b>	HSC Type
<b>TK</b>	GSC Type
<b>YH</b>	BFA Type
<b>XX</b>	None Connector

#### ⑤ Length

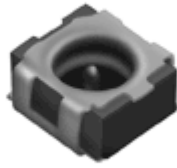
Expressed by four figures. The unit is mm. From first to third figures are significant, and the fourth figure expresses the number of zeros which follow the three figures.

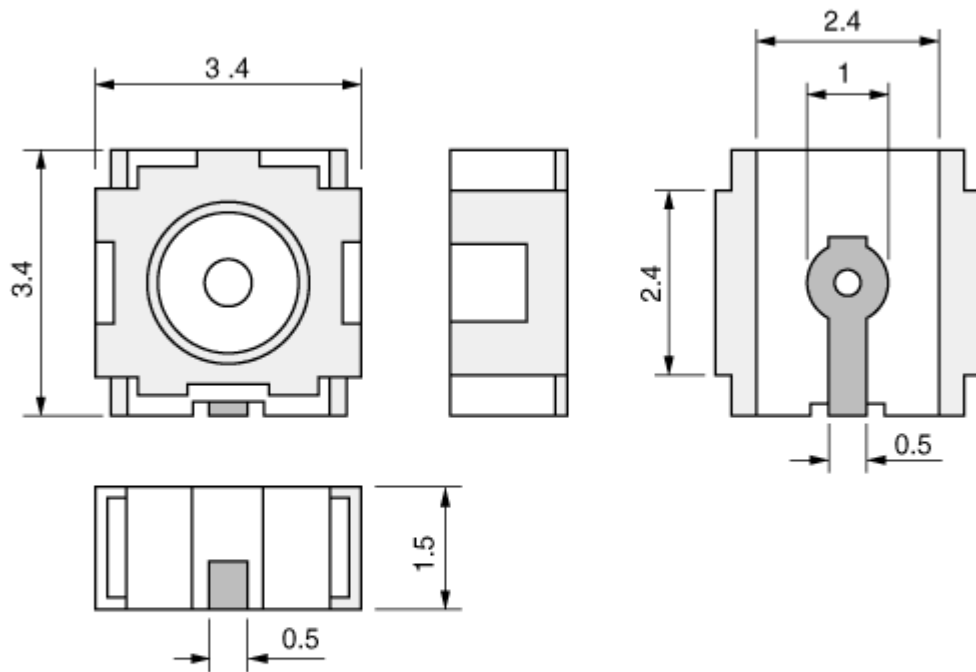
Ex.)

Code	Length
<b>5000</b>	500mm = 500 x 10 <sup>0</sup>
<b>1001</b>	1000mm = 100 x 10 <sup>1</sup>

#### ⑥ Individual Specification Code

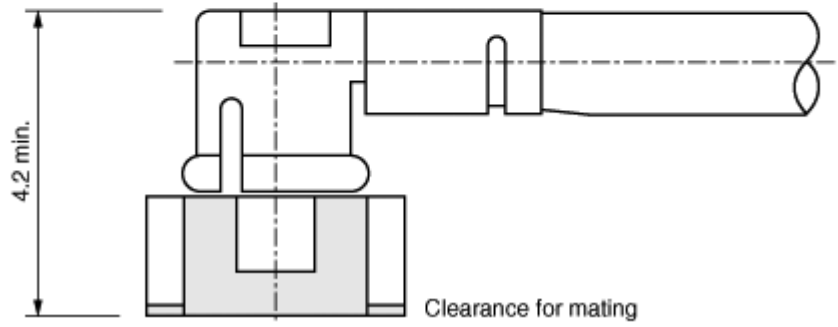
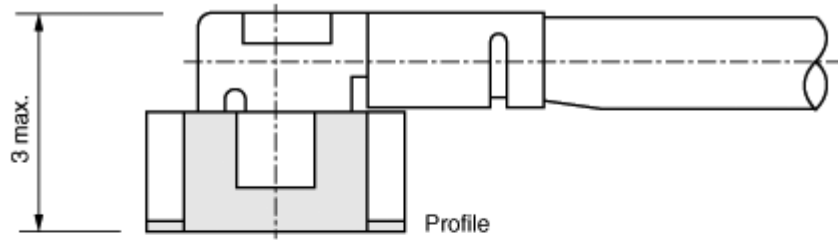
Expressed by two sign.





- Hot Terminal
- Ground Terminal

Tolerances Unless  
 Otherwise Specified:  $\pm 0.2$  (in mm)



(in mm)