

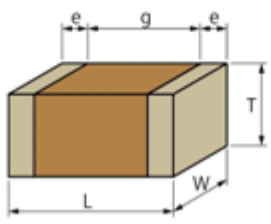

# GRM155R71A333KA01#

"#" indicates a package specification code.

Available  

< List of part numbers with package codes >  
 GRM155R71A333KA01D , GRM155R71A333KA01W , GRM155R71A333KA01J

## Shape

|                                       |                |
|---------------------------------------|----------------|
| L size                                | 1.0 ± 0.05mm   |
| W size                                | 0.5 ± 0.05mm   |
| T size                                | 0.5 ± 0.05mm   |
| External terminal width e             | 0.15 to 0.35mm |
| Distance between external terminals g | 0.3mm min.     |
| Size code in inch(mm)                 | 0402 (1005)    |

## References

| Packaging | Specifications  | Minimum quantity |
|-----------|---|------------------|
| D         | 180mm Paper taping  | 10000            |
| J         | 330mm Paper taping  | 50000            |
| W         | 180mm Paper taping (W8P1*)<br>* Width : 8mm, Pocket pitch : 1mm | 20000            |

| Mass (typ.) |       |
|-------------|-------|
| 1 piece     | 1.6mg |
| 180mm Reel  | 118g  |

## Specifications

|  |               |
|--|---------------|
| Capacitance                                      | 33000pF ± 10% |
| Rated voltage                                    | 10Vdc         |
| Temperature characteristics (complied standard)  | X7R(EIA)      |
| Capacitance change rate                          | ± 15.0%       |
| Temperature range of temperature characteristics | -55 to 125    |
| Operating temperature range                      | -55 to 125    |

### Attention

- 1.This datasheet is downloaded from the website of Murata Manufacturing Co., Ltd. Therefore, it ' s specifications are subject to change or our products in it may be discontinued without advance notice. Please check with our sales representatives or product engineers before ordering.
- 2.This datasheet has only typical specifications because there is no space for detailed specifications. Therefore, please review our product specifications or consult the approval sheet for product specifications before ordering.