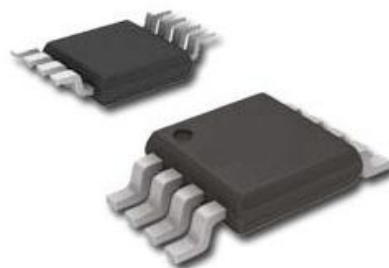


## SCM1101A Highly integrated PWM controller

### Features

- Soft-Start Function, Externally Programmable
- Extremely Low Start-up current of 1uA typical
- Frequency Reduction at Light Load and Burst Mode Control under no load
- Programmable Maximum Switching Frequency, up to 480KHz
- Built-in Slope Compensation and Feed-forward Compensation Circuit
- Cycle-by-Cycle Current Limiting
- RI Pin Short-circuit Protection
- VDD Over-Voltage Protection (OVP) and Under-Voltage Lockout (UVLO)
- Built-in (over-current protection) OCP time
- Feedback Open-loop Protection/Short-circuit Protection
- VIN Under-Voltage Protection

### Packaging



Mechanical package: MSOP-8  
(see "Ordering information" for details of silk screen).

### Application

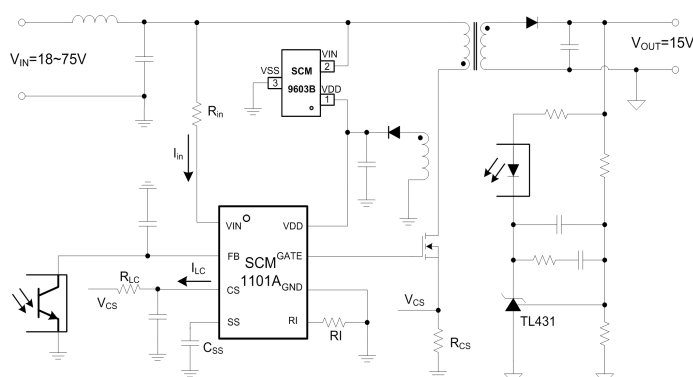
- DC-DC Isolate Power Supplies
- Instrument Power Supplies
- Isolated Telecom Converter

### Description

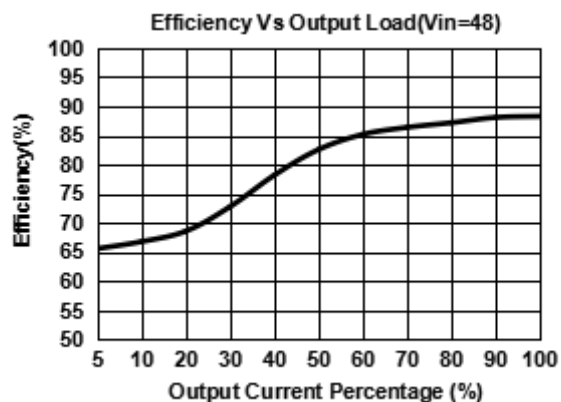
This highly integrated SCM1101A current mode PWM controller is ideal for Isolate DC-DC converter applications. The PWM switching frequency is internally adjusted within a tight range. The chip's maximum working frequency can be changed by means of external resistors. To conserve energy under light load conditions, the green mode function continuously decreases the switching frequency, thus enabling the converter to maintain high efficiency over the entire load range. For optimized standby power consumption, the power supply enters into a burst mode under no load conditions.

The SCM1101A design also integrates a series of protection features that will enhance the power system's reliability. These functions include VIN Under-Voltage Protection, VDD Under-Voltage Lock Out (UVLO), VDD Over-Voltage Protection, Soft-Start pin SS Suspended Protection, Feedback Open-Loop Protection / Short-Circuit and Overload Protection and CS pin Suspended Protection.

### Simplified Schematic



### Function Curves



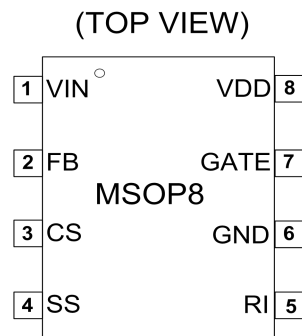
NOTE: Vin=18~75V, Vout=15V, Pout=10W.

## Contents

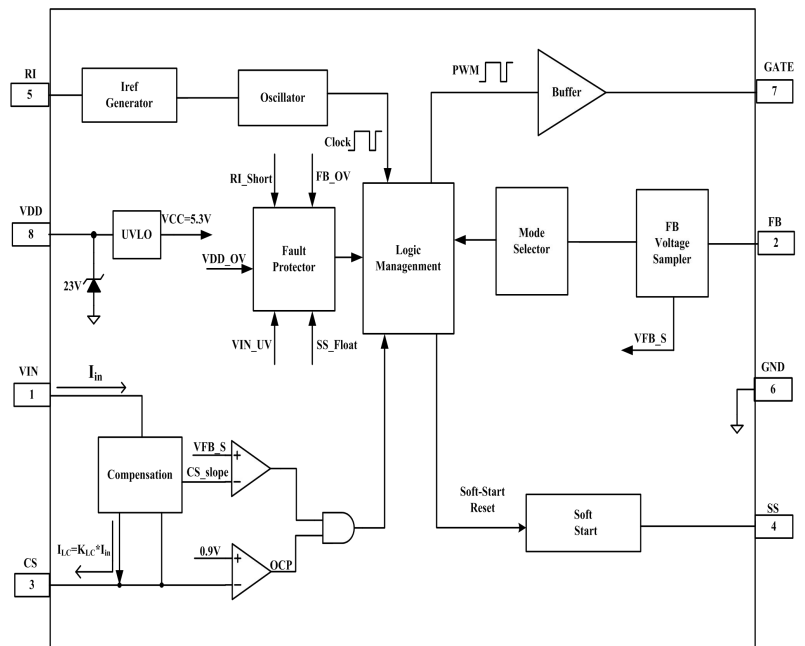
|   |   |
|---|---|
| Features and Package.....                     | 1 |
| Application.....                              | 1 |
| Description.....                              | 1 |
| Simplified schematic and Function Curves..... | 1 |
| Pins and Description.....                     | 2 |
| Absolute Maximum Ratings.....                 | 3 |
| Recommended Operating Conditions.....         | 3 |
| Thermal Resistance Information.....           | 3 |
| Electrical Characteristics.....               | 3 |

|  |    |
|--|----|
| Typical Characteristics Curves.....    | 5  |
| Parameter Measurement Information..... | 6  |
| Features Description.....              | 7  |
| Product Operation Mode.....            | 7  |
| Extended Output Design.....            | 10 |
| Application Circuit.....               | 10 |
| Suggestions of Power Use.....          | 10 |
| Order, Packaging and Packing.....      | 11 |

### Pins



### Internal Block



### Pin Description

| Pin No. | Pin Name | I/O | Description  |
|---------|----------|-----|--|
| 1       | VIN      | I   | Line input voltage sensing, connected to rectified line input source via large value resistor.   |
| 2       | FB       | I   | Voltage feedback via opto-coupler for loop regulation. The PWM's duty cycle is generated by the FB voltage and the current sense signal at pin 3 (CS). |
| 3       | CS       | I   | Current sense input.   |
| 4       | SS       | I   | Soft-start time setting port. Soft-start time is set by connecting an external capacitor from pin to GND.  |
| 5       | RI       | I   | Switching frequency setting with external resistor connected from RI and GND. This pin has short-to-GND protection.                                    |
| 6       | GND      | P   | IC ground.   |
| 7       | GATE     | O   | External power MOSFET gate drive output via totem-pole driver .  |
| 8       | VDD      | P   | IC power supply.   |

## Absolute Maximum Ratings

General test conditions: Free-air, normal operating temperature range (unless otherwise specified).

| Parameter                                  | Symbol                           | Min  | Max  | Unit |
|--|----------------------------------|------|------|------|
| Power Supply Voltage                       | VDD                              |      | 23   | V    |
| VDD Clamping Current                       | I <sub>CLAMP</sub>               |      | 10   | mA   |
| Gate-drive Voltage (at GATE)               | V <sub>DRV</sub>                 | -0.6 | 30   | V    |
| Voltage Range                              | FB,CS,RI                         | -0.6 | 6    |      |
|  | SS                               | -0.6 | 6    |      |
| Storage Temperature Range                  | T <sub>STG</sub>                 | -55  | 150  | °C   |
| Lead Temperature, Soldering for 10 seconds | Distance 0.6mm from case, 10 sec |      | 260  |      |
| Moisture Sensitivity Level                 | MSL                              | MSL3 |      |      |
| Electro Static Discharge (ESD)             | Human Body Model (HBM)           |      | 3000 | V    |
|  | Charged Device Model (CDM)       |      | 1000 |      |

Note: Stress levels exceeding the "Absolute Maximum Ratings" are not recommended, they may severely affect the device reliability and/or result in permanent damage.

## Recommended Operating Conditions

VDD=12V and T=25°C, unless otherwise noted.

| Parameter                      | Symbol           | Min   | Max | Unit |
|--------------------------------|------------------|-------|-----|------|
| Power Supply Voltage           | V <sub>VDD</sub> | 7.5   | 14  | V    |
| VDD Bypass Capacitor           | C <sub>VDD</sub> | 0.047 | 20  | uF   |
| Operating Switching Frequency  | F                | 200   | 480 | kHz  |
| Operating Junction Temperature | T <sub>J</sub>   | -40   | 125 | °C   |

## Thermal Resistance Information

Heating current is 50mA and heating time is 600s; test current is 1mA and test time is 600s.

| Parameter                              | Symbol        | Value | Unit |
|--|---------------|-------|------|
| Junction-to-ambient thermal resistance | $\theta_{JA}$ | 230   | °C/W |

The reference standard is JESD51-1.

## Electrical Characteristics

VDD=12V and T=25°C, unless otherwise noted.

| Symbol                          | Parameter                    | Test Conditions   | Min | Typ  | Max | Unit |
|---------------------------------|------------------------------|---|-----|------|-----|------|
| Supply Section(VDD Pin)         |                              |   |     |      |     |      |
| I <sub>START_UP</sub>           | VDD Start-up Current         | Current flow into VDD port measured at VDD=6V               |     | 1    | 40  | uA   |
| I <sub>VDD_OP</sub>             | Operating Supply Current     | V <sub>FB</sub> =3V,RI=24k Ohm                              | 1.0 | 1.4  | 2   | mA   |
| V <sub>UVLO_ON</sub>            | VDD Turn-on Threshold        | VDD Voltage increasing                                      | 6.4 | 7.0  | 7.6 | V    |
| V <sub>UVLO_OFF</sub>           | VDD Turn-off Threshold       | VDD Voltage decreasing                                      | 5.9 | 6.4  | 6.9 | V    |
| V <sub>OVP</sub>                | VDD OVP Threshold            | VDD from 15V~21V  | 17  | 18   | 19  | V    |
| V <sub>OVP_HYS</sub>            | VDD OVP Hysteresis           |   |     | 3.2  |     | V    |
| V <sub>CLAMP</sub>              | VDD Clamping Voltage         | the absorption current capacity when VDD increased suddenly | 20  | 22.5 | 25  | V    |
| Feedback Input Section (FB pin) |                              |   |     |      |     |      |
| A <sub>V_CS</sub>               | PWM Input Gain               | $\Delta V_{FB}/\Delta V_{CS}$                               |     | 3.5  |     | V/V  |
| V <sub>FB_OPEN</sub>            | FB pin Open Voltage          |   |     | 5.3  |     | V    |
| I <sub>FB_SHORT</sub>           | FB pin Short-circuit Current | Current measured when FB pin connected to GND               |     | 1.2  |     | mA   |
| Z <sub>FB_IN</sub>              | FB Input Impedance           |   |     | 4.5  |     | kΩ   |

| Symbol                                     | Parameter                                       | Test Conditions       | Min  | Typ           | Max  | Unit |
|--|---|-----------------------|------|---------------|------|------|
| Feedback Input Section (FB pin, continued) |   |                       |      |               |      |      |
| $V_{TH\_PL}$                               | Power Limiting FB Threshold Voltage             |                       |      | 4.5           |      | V    |
| Oscillator Section (RI pin)                |   |                       |      |               |      |      |
| $F_{OSC}$                                  | Oscillator Frequency                            | RI=24K                | 285  | 305           | 325  | kHz  |
| $\Delta F_{TEMP}$                          | Frequency Temperature Stability                 | -40°C ~ 125°C         |      | 5             |      | %    |
| $\Delta F_{VDD}$                           | Frequency Voltage Stability                     | $V_{VDD}=7\sim 16V$   |      | 5             |      | %    |
| $D_{MAX}$                                  | Maximum Duty Cycle                              |                       | 74   | 78            | 82   | %    |
| $RI_{RANGE}$                               | RI Operating Range                              |                       | 15   | 24            | 48   | kΩ   |
| $V_{RI\_OPEN}$                             | RI Pin Open Voltage                             |                       | 1.88 | 1.98          | 2.08 | V    |
| $F_{BM}$                                   | Burst Mode Frequency                            |                       |      | 1/8 $F_{OSC}$ |      | kHz  |
| Current Sense Input Section (CS pin)       |   |                       |      |               |      |      |
| $V_{CST\_MAX}$                             | Internal Current Limit Threshold                |                       | 0.85 | 0.9           | 0.95 | V    |
| $sK_{LC}$                                  | Line-Sense Current Ratio                        | $I_{LC} / I_{IN}$     |      | 5             |      |      |
| Line-sense Voltage Section (VIN pin)       |   |                       |      |               |      |      |
| $R_{VIN}$                                  | VIN Input Resistor                              |                       | 36   | 45            | 54   | kΩ   |
| $V_{UVIN\_OFF}$                            | VIN Under-voltage Protection Threshold          | $R_{IN}=680K, RI=24K$ | 6.2  | 6.6           | 7.0  | V    |
| $V_{UVIN\_ON}$                             | VIN Under-voltage Protection Turn-off Threshold | $R_{IN}=680K, RI=24K$ | 7.1  | 7.6           | 8.1  | V    |
| Timing Section                             |   |                       |      |               |      |      |
| $T_{D\_OVP}$                               | VDD OVP Delay Time                              |                       |      | 200           |      | μs   |
| $T_{D\_UVIN}$                              | UVIN Delay Time                                 |                       |      | 200           |      | μs   |
| $T_{D\_PL}$                                | FB Pin Open-loop Protection Delay Time          | RI=24K                |      | 32.5          |      | mS   |
| $T_{RI\_SHORT}$                            | RI Pin Short-circuit Protection Detection Time  | RI=24K                |      | 52            |      | μs   |
| $T_{SLEEP}$                                | Rest Time of FB Pin Open-loop Protection        | RI=24K                |      | 1.67          |      | S    |

## Switch Characteristics

VDD=12V and T=25°C, unless otherwise noted.

| Symbol   | Parameter         | Test Conditions             | Min | Typ  | Max | Unit |
|----------|-------------------|-----------------------------|-----|------|-----|------|
| $V_{OL}$ | Output Low Level  | $I_O=20\text{ mA(sink)}$    |     | 0.1  |     | V    |
| $V_{OH}$ | output High Level | $I_O=20\text{ mA (source)}$ |     | 11.8 |     | V    |
| $T_R$    | Output rise Time  | $C_{GATE}=1nF$              |     | 20   |     | nS   |
| $T_F$    | Output Fall Time  | $C_{GATE}=1nF$              |     | 20   |     | nS   |

## Typical Performance Curves

(1) Condition:  $V_{DD}=12V$ ,  $R_I=24k\Omega$ ,  $T=25^\circ C$  (unless otherwise specified). (2) The curves  $V_{UVLO\_ON}$  vs Temperature and  $V_{UVLO\_OFF}$  vs temperature are measured with  $R_I=24k\Omega$  and  $R_{in}=680k\Omega$ .

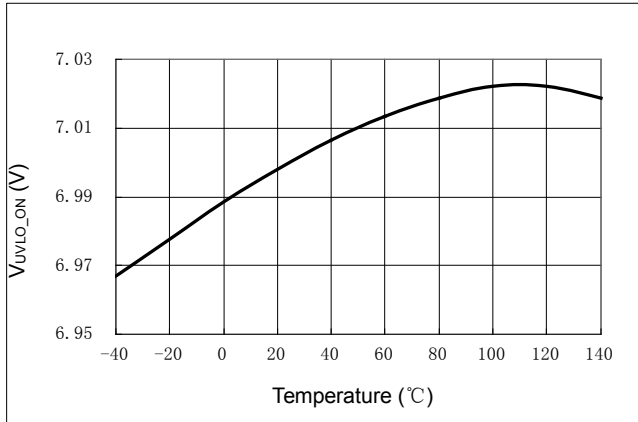


Fig. 1  $V_{UVLO\_ON}$  VS Temperature

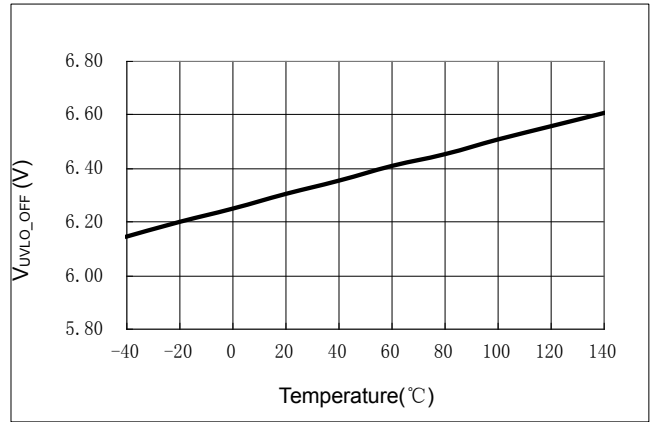


Fig. 2  $V_{UVLO\_OFF}$  VS Temperature

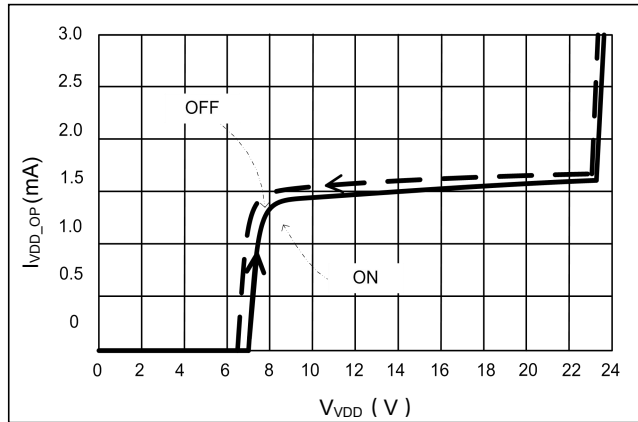


Fig. 3  $I_{VDD\_OP}$  VS  $V_{DD}$

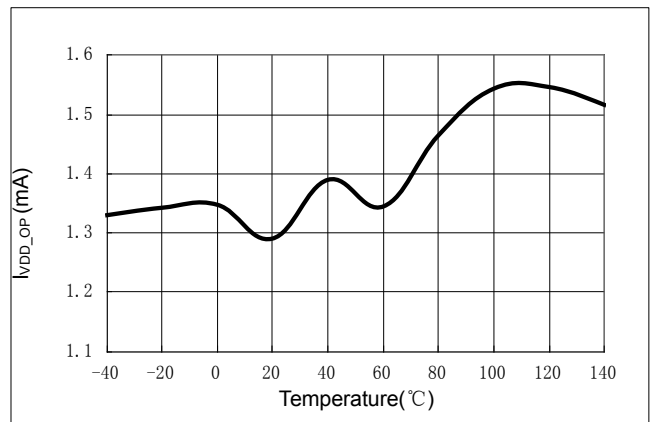


Fig. 4  $I_{VDD\_OP}$  VS Temperature

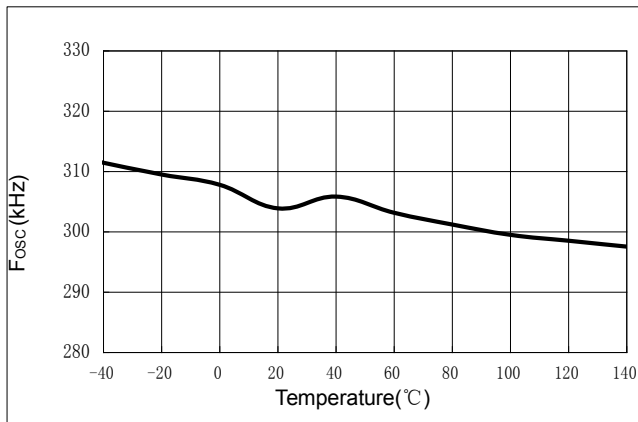


Fig. 5  $F_{osc}$  VS Temperature

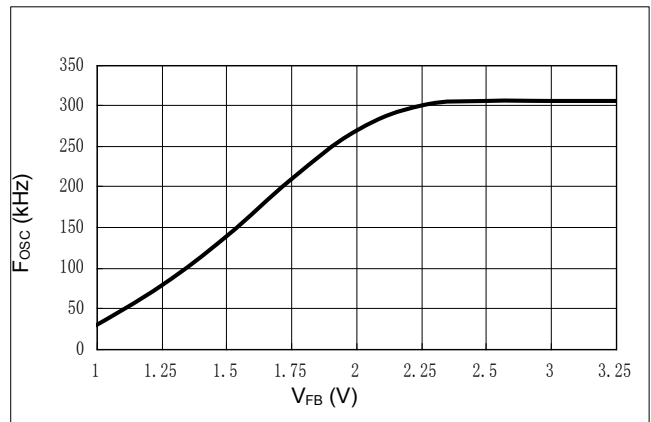


Fig. 6  $F_{osc}$  VS  $V_{FB}$

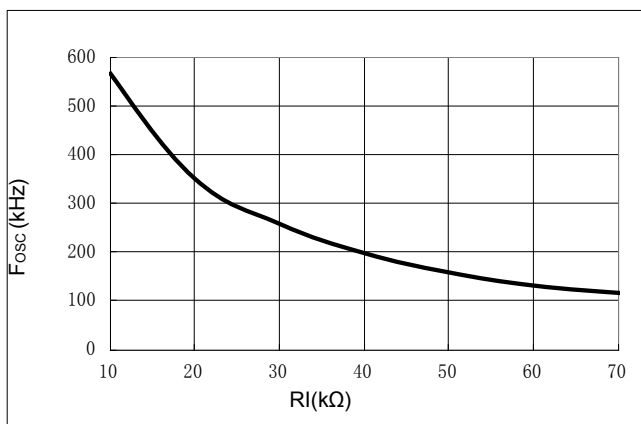


Fig. 7 Fosc VS RI

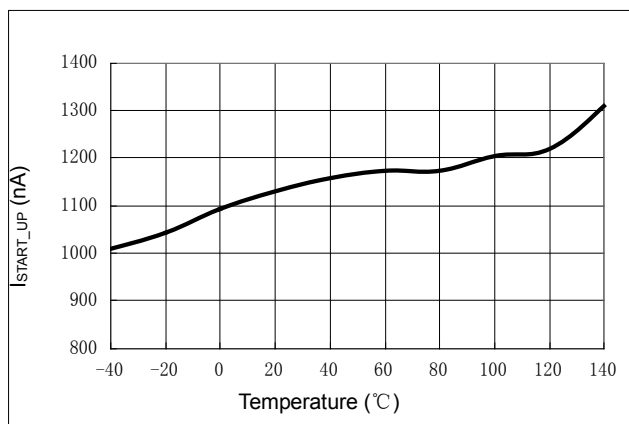


Fig. 8 ISTART\_UP VS Temperature

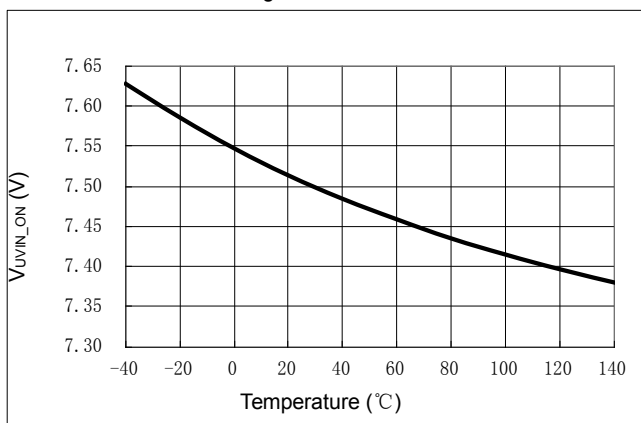


Fig. 9 VUVIN\_ON VS Temperature

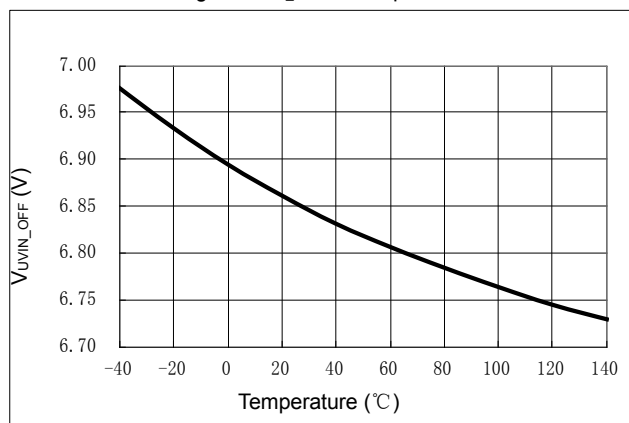


Fig. 10 VUVIN\_OFF VS Temperature

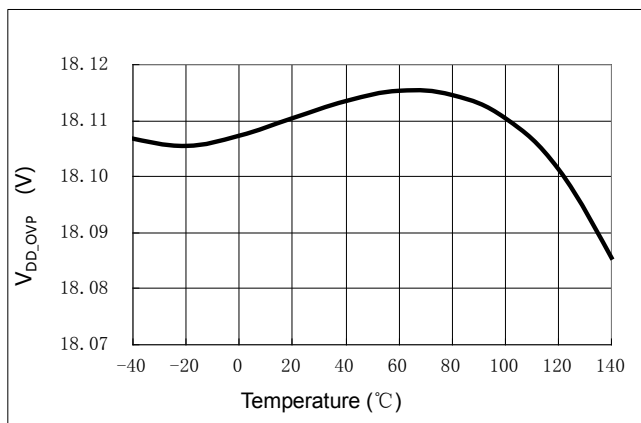


Fig. 11 VDD\_OVP VS Temperature

## Parameter Measurement Information

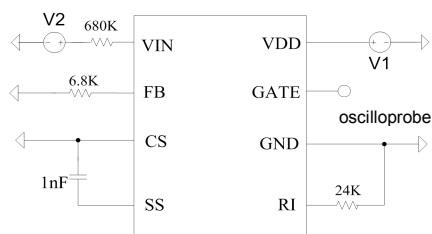


Fig. 12 Schematic Diagram of Test Circuit for Switch Characteristics

## Features Description

### Flyback Converters

As shown in Fig. 13 and Fig. 14, when Q1 is “ on ” current flows into the primary winding of T1 but the secondary diodes are not conducting and there is no secondary current. When Q1 turns “ off ” the primary current stops, all winding voltages reverse by flyback action, and the output diodes and secondary windings now conduct current.

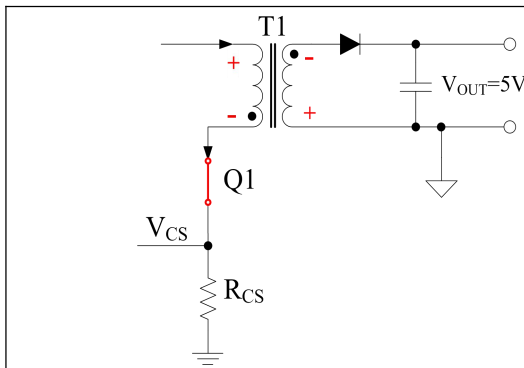


Fig. 13 Switch-on Period of Flyback Converters

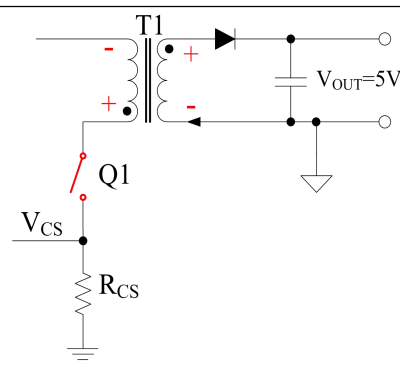


Fig. 14 Switch-off Period of Flyback Converters

## Product Operation Mode

This highly integrated SCM1101A current mode PWM controller is designed for offline DC-DC converter applications. It's two key features are:

1. Under light load conditions, the IC will automatically reduce the PWM's switching frequency to achieve the highest possible efficiency. When the load is at or close to zero, the system enters into burst mode, thus reducing switching losses in standby operation.

2. Highly integrated protection features save the PCB area by reduced external component count and therefore improved system reliability.

Condition: VDD=12V, RI=24kΩ, T=25°C (unless otherwise specified).

## Extremely Low Start-up and Operating Current

The typical start-up current of SCM1101A is only about 1uA. This value refers to the chip's current consumption before the VDD voltage reaches the startup threshold voltage of 7.1V. Most of the startup circuit's current is used to charge the VDD capacitor, thus accelerating the start-up time of the chip.

The typical operating current of the SCM1101A part is as low as 1.4mA. The relatively small operating current results in higher efficiency and reduces the required VDD hold-up capacitance value.

## Oscillator Frequency

To program the maximum switching frequency, a resistor between RI pin and GND with the following calculated value is being used:

$$F_{\max} (\text{kHz}) = \frac{7320}{RI(\text{k}\Omega)} \quad (1)$$

The recommended operating frequency range of the SCM1101A is between 200kHz and 500kHz (see also recommended operating parameters). If the resistor value connected to RI pin is too large (RI pin may become oversensitive) and the resulting operating frequency is too low. Also note that under extremely light load condition the minimum frequency can be less than 22kHz, resulting in the system generating some audible noise.

If the operating frequency is too high, the power consumption of the chip will increase and the precision of frequency will decrease.

## Externally Programmable Soft-start Function

This chip design allows the user for easy programming of the soft-start time Tss by means of connecting a capacitor between the SS pin and GND. The charge current ISS from the SS pin into the capacitor is calculated as follows:

$$I_{SS} = \frac{5}{8RI} \quad (2)$$

The correlation between the VSS voltage on the soft-start capacitor and the FB feedback voltage VFB is:

If value of VFB ≥ VSS, then VFB is controlled by VSS and VFB signal is following VSS;

If value of VFB < VSS, then VFB is no longer controlled by VSS.

Describing a soft-start cycle: At the beginning of a converter start-up cycle, there is no current flow from the FB pin into the opto-coupler. The VFB voltage follows the VSS signal that rises as defined by CSS. The duty cycle controlled by the PWM comparator will slowly increase going through the soft-start state. Under normal operation, the optocoupler starts pulling current from the FB port after the voltage feedback loop is established. As VFB drops, VSS signal will continue to climb with a fixed slope up to a maximum value, and the constant maximum value is maintained. This way VFB becomes

lower than  $V_{SS}$ , and will therefore not be controlled by  $V_{SS}$ . The peak current value is controlled by the voltage feedback loop, resulting in a smooth transition of the soft-start control into a feedback control loop operation. In other words, by the time the  $V_{SS}$  signal rise settles, the  $V_{FB}$  signal has also been established.

In addition, the chip features an integrated soft-start reset function and an SS pin suspending protection function.

**Soft-start reset:** If the chip's start-up or the self-recovery protection is revoked, the soft-start circuit enters a reset process by first resetting  $V_{SS}$  to ground potential, before resetting  $V_{FB}$  as well.

**SS pin suspending protection:** If the SS pin voltage  $V_{SS}$  raises after a soft-start reset up to 0.9V in 4 $\mu$ s, the system recognizes the SS pin as suspended and will lock the GATE signal to low voltage level, indicating it has entered the SS pin suspending protection state. This protection prevents the device from being damaged by the large peak currents under following start-up conditions: The SS pin is open (not connected to soft-start capacitor, capacitor faulty) or the selected external capacitor value is too small.

## Smart Green Mode

The SCM1101A detects the FB port voltage  $V_{FB}$  for adjusting the oscillator frequency, which in turn adjusts the output GATE signal frequency. If  $2.2V < V_{FB} < 3.8V$ , the system works in normal PWM mode; only the peak voltage of the CS pin is adjusted, the frequency maintains the maximum value. If  $1.3V < V_{FB} < 2.2V$ , the system works in PWM+PFM mode; both the CS peak voltage and the systems operating frequency are regulated. The switching frequency gradually decreases with decreasing load, and if  $1.05V < V_{FB} < 1.3V$  the system works in PWM mode and it has reached the minimum operating frequency which equals to 1/8 of the maximum operating frequency; when  $V_{FB}$  is less than 1.05V, the system enters into the energy saving burst mode with the GATE signal pulled low. How  $V_{FB}$  signal changes influences operating modes is shown in Fig. 15 below:

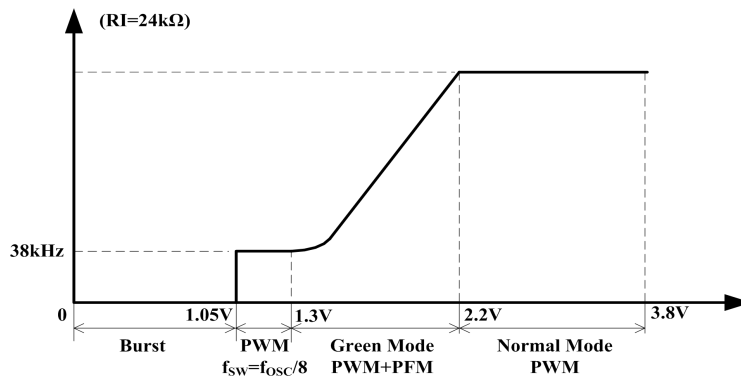


Fig. 15 FB pin voltage vs output frequency

## Burst Mode

In addition to the Smart Green Mode, a Burst Mode is also part of the SCM1101A design. If the  $V_{FB}$  signal decreases to 1.05V, the system enters Burst Mode, which is also known as frequency hopping mode. At this point, the PWM controller stops switching, the output voltage starts to drop according to the power consumption of the load, which causes the opto-coupler current to be reduced and the  $V_{FB}$  signal starts to rise again. As soon as the  $V_{FB}$  voltage rises above the threshold of 1.1V, the output driver resumes at the minimum switching frequency (i.e., 1/8 of the maximum frequency). In order to avoid any audible noise, the minimum switching frequency should be set higher than 22kHz. After the GATE output resumes to normal, the output voltage starts to rise again. Only when  $V_{FB}$  reverses below the 1.05V trigger point again, the system recycles and returns to the burst mode once again, as shown in Fig. 16.

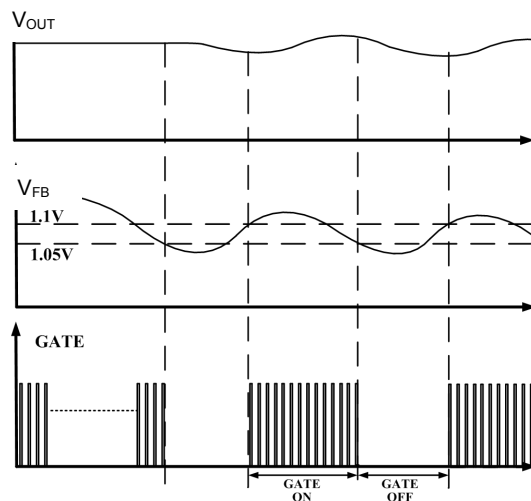


Fig. 16 Burst mode time sequence



## Feed-forward Compensation

By sampling the input voltage at the VIN pin, the feed forward resistor  $R_{LC}$  generates the compensation voltage  $V_{RLC}$ , which accomplishes the feed forward compensation and ensures a consistent over current point over the entire input voltage range. The  $R_{LC}$  feed forward resistor value can be calculated by the following formula:

$$R_{LC} = \frac{(R_{IN} + 45k\Omega) \times T_D}{5 \times L_P} \times R_{CS} \quad (3)$$

$T_D$  is the current detection delay time, including the MOSFET turn off delay.

$L_P$  is the primary side transformer inductance.

$R_{IN}$ ,  $R_{CS}$  respectively represent the input resistance and the current sense resistance (see typical application ).

## Built-in Slope

The design consists of a two-stage compensation; when the duty is between 44% and 60%, the slope is 194.3mV/us and when the duty cycle is between 60% and 80%, the slope is 322.1mV/us. This two-stage design prevents the slope compensation from affecting the load carrying capacity.

The above mentioned typical slope values are based on an external 24k $\Omega$  resistor connected to the RI pin.

## Maximum Peak Current Limit

The SCM1101A limits the voltage of the CS pin to  $V_{CST\_MAX}$  (see electrical characteristics), and the maximum peak current  $I_{PK\_MAX}$  of the primary side inductance meets the following (slope compensation not taken into account):

$$I_{PK\_MAX} = \frac{0.9 - V_{RLC}}{R_{CS}} \quad (4)$$

$V_{RLC}$  is the voltage on the feed forward resistance mentioned above, calculated as follows:

$$V_{RLC} = \frac{V_{IN} \times T_D}{L_P} \times R_{CS} \quad (5)$$

$R_{CS}$  is the value of current sense resistance.

Limiting the maximum peak current will limit the maximum output current, calculated by the turns ratio. If the load current exceeds the maximum output current, the output voltage will drop sharply, the opto-coupler no longer pulls current from FB port, the  $V_{FB}$  value will rise until triggering the  $V_{FB}$  overvoltage protection (see below).

## VIN Undervoltage Protection

VIN undervoltage protection point:  $V_{UVIN\_OFF}$  can be set by the input resistor  $R_{IN}$ . The chip enters undervoltage protection state when the input voltage is lower than:

$$0.22 \times (R_{IN} + 45) / RI .$$

The undervoltage protection is cancelled once the input voltage is greater than:

$$0.25 \times (R_{IN} + 45) / RI$$

resulting in a soft-start cycle being initiated. Note: Use resistor values for  $R_{IN}$  and  $RI$  in kilo-ohm (k $\Omega$ ) for above formula.

## $V_{FB}$ Overvoltage Protection

Once the accumulated time that the FB port voltage  $V_{FB}$  remains above 4.5V exceeds the delay time  $T_{D\_PL}$  (see electrical characteristics, namely  $10240T_{OSC}$ ,  $T_{OSC}$  is minimum switching period time), an overvoltage condition is detected. The chip forces the GATE to turn off immediately going into the  $V_{FB}$  overvoltage protection rest state. As long as  $V_{FB}$  stays below 4.5V before the elapsed time reaches the  $T_{D\_PL}$ , the  $V_{FB}$  overvoltage protection will not be triggered.  $T_{SLEEP}$  is the duration of the  $V_{FB}$  overvoltage protection rest state (see electrical characteristics, namely  $2^{19}T_{OSC}$ ). After such a  $T_{SLEEP}$  cycle, the  $V_{FB}$  overvoltage protection is cancelled and the the GATE signal is re-enabled, while soft-start is being reset pulling  $V_{FB}$  down. If the need for protection is no longer present at this time, the chip will run a soft-start cycle.

In similar fashion the  $V_{FB}$  overvoltage protection can be used to achieve over-power protection (OPP), output short-circuit protection (OSP) and open-loop protection (OLP), because all these conditions will result in  $V_{FB}$  rising to the point where it is exceeding the 4.5V threshold. The following Fig. 17 shows the sequence of the  $V_{FB}$  voltage and the GATE signal under the converters output short-circuit condition. T1 time period represents a soft-start cycle and the  $V_{FB}$  signal follows the soft-start capacitor voltage  $V_{SS}$ ; T2 represents the  $V_{FB}$  overvoltage protection delay time during which the GATE signal is still not forced to shut down; T3 represents the rest time of the  $V_{FB}$  overvoltage protection; at the end of the T3 phase the system cycles a soft-start reset process before soft-start can resume. If the output short-circuit of fault condition persists, the whole process above repeats itself.

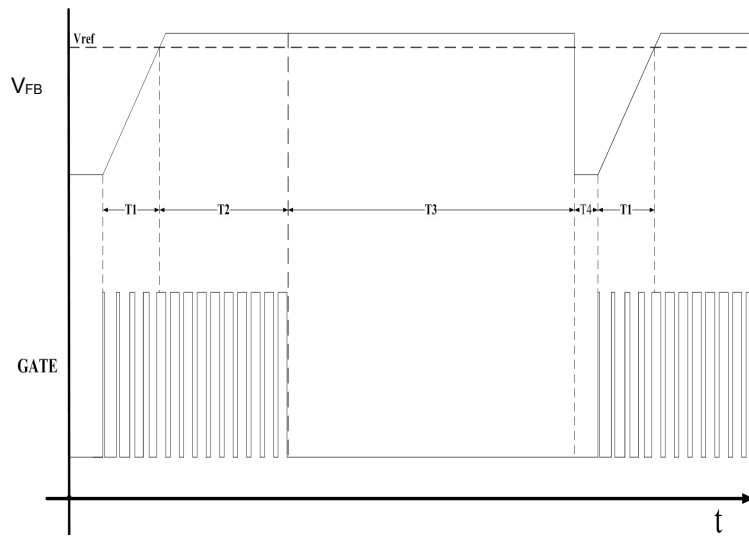


Fig. 17 Short current protection sequence

## VDD Overvoltage Protection

If the VDD port voltage exceeds 18V (VDD overvoltage protection point) for more than 200us, then the chip enters the VDD over-voltage protection state. The GATE signal stops and only after the VDD voltage decreases below the 14.8V threshold, the chip will cancel the VDD over-voltage protection signal, the soft-start resets, a soft-start cycle is initiated and the GATE signal returns to normal operation.

## RI Pin Short-circuit Protection

During the protection detection time  $T_{RI\_SHORT}$  (see electrical characteristics), any RI pin short-circuit condition is being detecting after the chip starts-up. If a short-circuit is detected, the GATE signal stops, the chip will remove the short-circuit protection mode and re-test the condition only when it re-starts again. If there is no short-circuit, it will recognize there is a normal connection on the RI pin, until the chip recycles, restarts and then retests.

## Extended Output Design

SCM1101A chip is used to drive the push-pull circuit, which can make output voltage become higher.

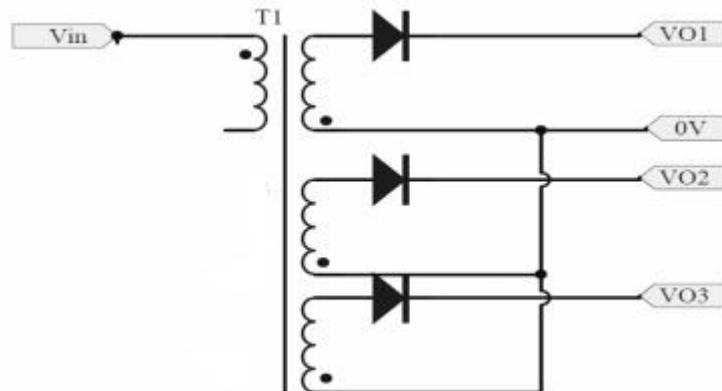


Fig. 18 Extended Circuit I

## Application Circuit

Vin: 9-36VDC

Vo: 5VDC

Io: 1.2A

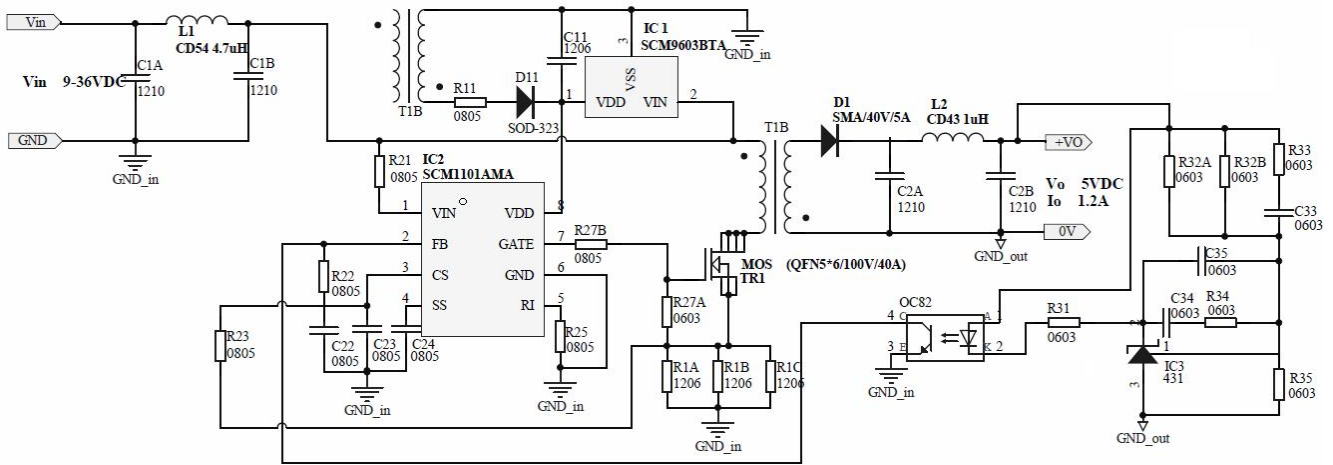


Fig. 19 Application Circuit I

### Introduction of SCM9603BTA

The SCM9603B's built-in 85V high voltage transistor works over a wide input voltage range from 4VDC to 85VDC. A constant current output charges the bypass capacitor for starting-up the controller. After the controller start-up, the SCM9603B will continue to work for a certain period of time, which is beneficial to improve the capacitive ability of the power supply.

Please log in the official website of Mornsun ( [www.mornsun.cn](http://www.mornsun.cn) ) and contact the sales to obtain the datasheet.

## Power Supply Recommendations

Unless otherwise specified, the following parameters are measured in the conditions of  $V_{IN}=5V$ .

- The rectified voltage of the AUX winding should not exceed 18V.
- VDD bias capacitor above 5uF .The greater power , the greater capacitance.
- The PCB routing to CS and FB pin should be as short and straight as possible.
- The layout of the IC should be away from the ESD test point.

## Ordering Information

| Part number | Package | Number of pins | Product Marking | Tape & Reel | Weight ( 1 PCS ) | Weight ( 1 REEL include box ) |
|-------------|---------|----------------|-----------------|-------------|------------------|-------------------------------|
| SCM1101AMA  | MSOP-8  | 8              | 1101A<br>YM     | 4K/REEL     | 0.02g            | 805.2g                        |

Product marking and date code

SCM1101XYZ:

(1) SCM1101 = Product designation.

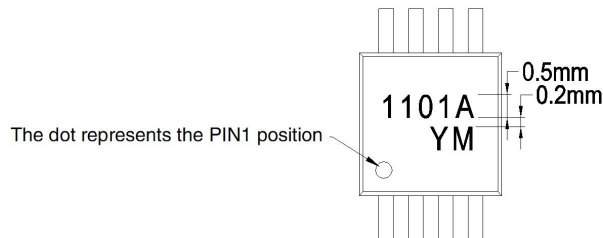
(2) X = Version code information (A-Z).

(3) Y = Packaging definition code; S for SOP package,

(4) Z = Operating temperature range (C = 0°C to +70°C, I = -40°C to +85°C, A = -40°C to +125°C, M = -55°C to +125°C) .

(5) YM = Date code for product traceability; Y = code for production year; M = code for production month.

## Silk Screen Information

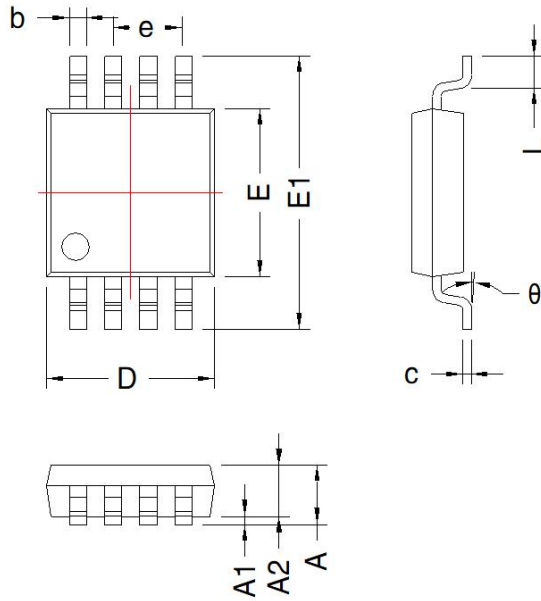


Note:

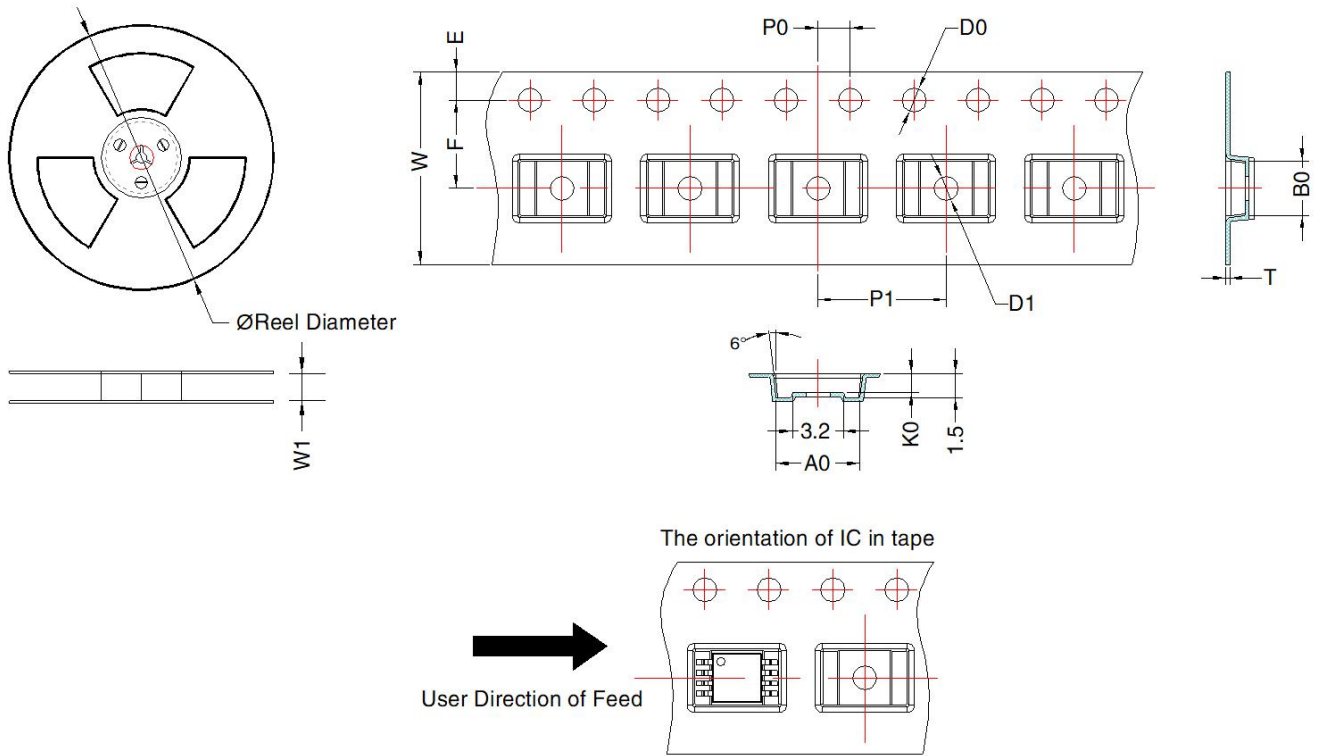
1、Typeface: Arial;

2、Character size:

Height: 0.5mm, Spacing: 0.1mm, LineSpacing: 0.2mm;



| MSOP-8   |               |      |                 |       |
|----------|---------------|------|-----------------|-------|
| Mark     | Dimension(mm) |      | Dimension(inch) |       |
|          | Min           | Max  | Min             | Max   |
| A        | 0.82          | 1.10 | 0.032           | 0.043 |
| A1       | 0.02          | 0.15 | 0.001           | 0.006 |
| A2       | 0.75          | 0.95 | 0.03            | 0.037 |
| D        | 2.90          | 3.10 | 0.114           | 0.122 |
| E        | 2.90          | 3.10 | 0.114           | 0.122 |
| E1       | 4.75          | 5.05 | 0.187           | 0.199 |
| L        | 0.40          | 0.80 | 0.016           | 0.031 |
| b        | 0.25          | 0.38 | 0.010           | 0.015 |
| e        | 0.65TYP       |      | 0.026TYP        |       |
| c        | 0.09          | 0.23 | 0.004           | 0.009 |
| $\theta$ | 0°            | 6°   | 0°              | 6°    |



| Device     | Package Type | MPQ  | Reel Diameter (mm) | Reel Width W1 (mm) | A0 (mm)   | B0 (mm)   | K0 (mm)   | T (mm)      | W (mm)     | E (mm)     | F (mm)    | P1 (mm) | P0 (mm) | D0 (mm)   | D1 (mm)   |
|------------|--------------|------|--------------------|--------------------|-----------|-----------|-----------|-------------|------------|------------|-----------|---------|---------|-----------|-----------|
| SCM1101AMA | MSOP-8       | 4000 | 330.0              | 12.4               | 5.2 ± 0.1 | 3.3 ± 0.1 | 1.2 ± 0.1 | 0.25 ± 0.05 | 12.0 ± 0.3 | 1.75 ± 0.1 | 5.5 ± 0.1 | 8 ± 0.1 | 4 ± 0.1 | 1.5 ± 0.1 | 1.5 ± 0.1 |

## MORNSUN Guangzhou Science & Technology Co., Ltd.

Address: No. 5, Kehui St. 1, Kehui Development Center, Science Ave., Guangzhou Science City, Luogang District, Guangzhou, P. R. China

Tel: 86-20-38601850

Fax: 86-20-38601272

E-mail: info@mornsun.cn