

SCM3422ASA High-speed CAN Transceiver

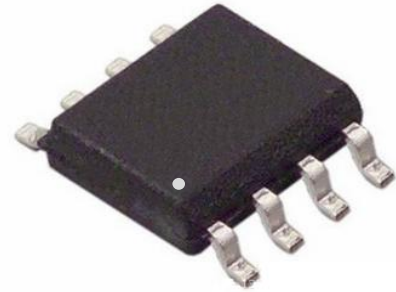
Features

- Compatible with the "ISO 11898" standard fully
- Thermal shutdown protection
- Over current protection
- Transmit data (TXD) dominant time-out function
- Low current standby mode with Wake-Up capability via CAN bus (typical value is 5μA)
- An unpowered node does not disturb the bus lines
- The bus supports maximum 110 nodes
- High-Speed CAN, communication speed up to 1Mbps
- High electromagnetic immunity

Applications

- Industrial automation
- Building automation
- Smart meter
- Long-distance signal interaction and transmission

Package

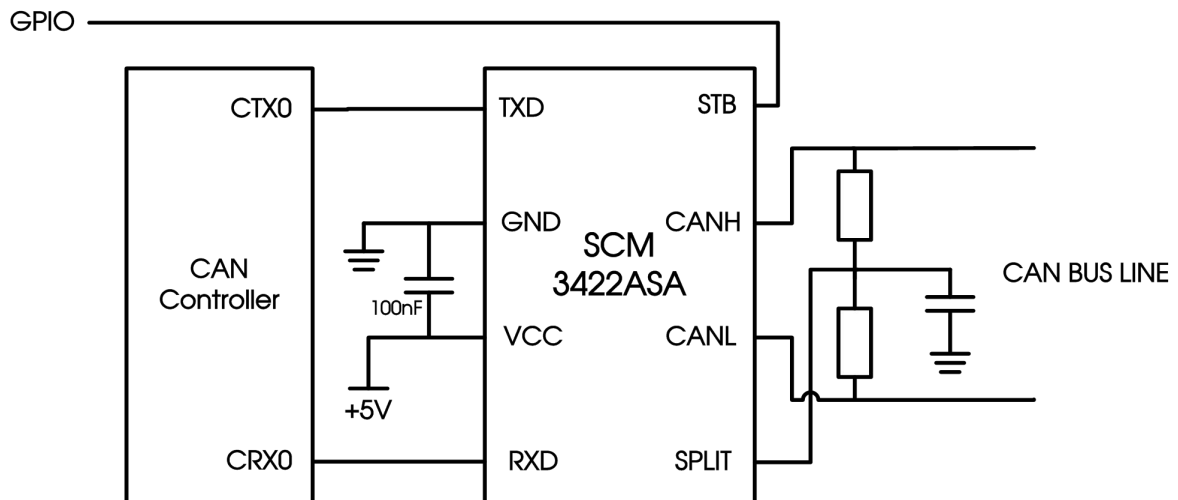


Product optional package: SOP-8, Screen Printing information please see "Order Information"

Functional Description

The SCM3422ASA is an interface chip used between the CAN protocol controller and the physical bus. It can be used in many fields such as trucks, buses, cars, industrial control. It can reach speeds up to 1Mbps. The SCM3422ASA has the ability to differentially transmit between the bus and the CAN protocol controller.

Typical Application

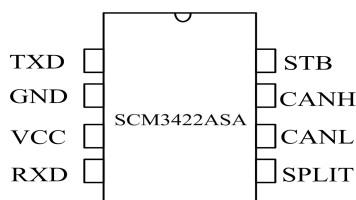


Note:GPIO means universal I/O port.

Contents

| | |
|--|-----------------------------------|
| Feature.....1 | Electrical Characteristics.....3 |
| Applications.....1 | Switching Characteristics.....4 |
| Functional Description.....1 | Other Characteristics.....4 |
| Typical Application.....1 | Parameter Test Circuit.....5 |
| Pin Package.....2 | General Description.....7 |
| Truth Table.....2 | Design Circuit Expansion.....8 |
| Pin Configurations and Functions.....2 | Power Usage Recommendations.....8 |
| Absolute Maximum Ratings.....3 | Ordering Information.....8 |
| Recommended Operating Conditions.....3 | Packaging Information.....9 |
| | Tape & Reel Information.....9 |

Pin Package



Truth Table

TABLE 1 CAN transceiver truth table

| VCC | TXD | STB | CANH | CANL | Bus State | RXD |
|------------|---------------------|---------------------|--------------|--------------|-----------|-----|
| 4.5~5.5V | L | L | H | L | Dominate | L |
| 4.5~5.5V | H(Or left floating) | X | 0.5VCC | 0.5VCC | Recessive | H |
| 4.5~5.5V | X | H(or left floating) | 0.5VCC | 0.5VCC | Recessive | H |
| 0<VCC<4.5V | X | X | 0V<VCANH<VCC | 0V<VCANL<VCC | recessive | X |

(1)H=High-level ; L=Low-level ; X=Any level

TABLE 2 Device function table

| Inputs | | Outputs | | Bus State |
|----------------------|---------------------|---------|------|-----------|
| TXD | STB | CANH | CANL | |
| L | L | H | L | dominate |
| H (or left floating) | X | Z | Z | recessive |
| X | H(or left floating) | Z | Z | recessive |

(2)H=High-level ; L=Low-level ; X=Any level

TABLE 3 Receiver function table

| VID=CANH-CANL | RXD | Bus State |
|---------------|-----|-----------|
| VID≥0.9V | L | dominate |
| 0.5<VID<0.9V | ? | ? |
| VID≤0.5V | H | recessive |
| Open | H | recessive |

(3)H=High-level ; L=Low-level ; ? =indeterminacy

Pin Configurations and Functions

| Pins | Name | Pin Functions |
|------|-------|--|
| 1 | TXD | Transmit data input |
| 2 | GND | Ground supply |
| 3 | VCC | Supply voltage |
| 4 | RXD | Receive data output; reads out data from the bus lines |
| 5 | SPLIT | Common mode stable output |
| 6 | CANL | LOW-level CAN bus line |
| 7 | CANH | HIGH-level CAN bus line |
| 8 | STB | Standby mode and high-speed mode (Low is high-speed) |

Absolute Maximum Ratings

| Parameters | Sym. | Value. | Unit. |
|---|---------------------|----------------|-------|
| Supply Voltage | VCC | -0.3 ~ +6 | V |
| MCU Side Port | TXD , RXD , STB | -0.3 ~ VCC+0.3 | V |
| Bus Side Input Voltage | CANL , CANH , SPLIT | -40 ~ 40 | V |
| Transient Voltage on 6, 7 Pin (See Figure 7) | V _{tr} | -200 ~ +200 | V |
| Storage Temperature Range | | -55 ~ 150 | °C |
| Operating Ambient Temperature Range | | -40 ~ 125 | °C |
| Welding Temperature Range | | 300 | °C |
| Continuous Power Dissipation | SOP8 | 400 | mW |
| | DIP8 | 700 | mW |

(1)The above data was measured in a naturally ventilated, normal operating temperature range (unless otherwise stated).

(2)The maximum limit parameter value means that exceeding these values may cause irreparable damage to the device. Under these conditions, it is not conducive to the normal operation of the device. Continuous operation of the device at the maximum allowable rating may affect device reliability. The reference point for all voltages is ground.

Recommended Operating Conditions

| Parameters | Sym. | Test Conditions | Min. | Max. | Units. |
|-------------------------------------|-------------------|-------------------------|------|------|--------|
| Supply Voltage | V _{cc} | | 4.5 | 5.5 | V |
| Maximum Baud Rate | 1/tbit | non-return to zero code | 1 | | Mbaud |
| CANH, CANL Input Voltage | V _{can} | | -40 | +40 | V |
| BUS Differential Output Voltage | V _{diff} | | 1.5 | 3.0 | V |
| Operating Ambient Temperature Range | T _{amb} | | -40 | 125 | °C |

Electrical Characteristics

Unless otherwise stated, VCC=5V±10%, Temp=TMIN~TMAX, typical value is VCC=+5V, Temp=25°C

| Driver Electrical Characteristics | | | | | | |
|-------------------------------------|--|--|--------------------|------|--------------------|-------|
| Sym. | Parameters | Test Conditions | Min. | Typ. | Max. | Units |
| V _{OH(D)} | CANH output voltage(dominant) | VI=0V, STB=0V, RL=60Ω, Figure 1, Figure 2 | 2.9 | 3.4 | 4.5 | V |
| V _{OL(D)} | CANL output voltage(dominant) | | 0.8 | | 1.5 | V |
| V _{O(R)} | Output voltage(dominant) | VI=3V, STB=0V, RL=60Ω, Figure 1, Figure 2 | 2 | 2.5 | 3 | V |
| V _{OD(D)} | Bus differential output voltage (dominant) | VI=0V, STB=0V, RL=60Ω, Figure 1, Figure 2 | 1.5 | | 3 | V |
| V _{OD(R)} | Bus differential output voltage(recessive) | VI=3V, S=0V, Figure 1, Figure 2 | -0.012 | | 0.012 | V |
| | | VI=3V, STB=0V, NO LOAD | -0.5 | | 0.05 | V |
| V _{dom(TX)sym} | Dominant output voltage symmetry | V _{dom(TX)sym} =V _{CC} - V _{CANH} - V _{CANL} | -400 | | 400 | mV |
| V _{TXsym} | Output voltage symmetr | V _{TXsym} = V _{CANH} + V _{CANL} | 0.9V _{CC} | | 1.1V _{CC} | V |
| V _{OC} | Common-mode output voltage | STB=0V, Figure 8 | 2 | 2.5 | 3 | V |
| ΔV _{OC} | Dominant recessive common-mode output voltage difference | | | 30 | | mV |
| I _{OS} | Short-circuit output current | CANH=-12V, CANL=open, Figure 11 | -105 | -72 | | mA |
| | | CANH=12V, CANL=open, Figure 11 | | 0.36 | 1 | |
| | | CANL=-12V, CANH=open, Figure 11 | -1 | 0.5 | | |
| | | CANL=12V, CANH=open, Figure 11 | | 71 | 105 | |
| I _{O(R)} | Output current(recessive) | -27V<CANH<32V 0<VCC<5.25V | -2.0 | | 2.5 | mA |
| Receiver Electrical Characteristics | | | | | | |
| Sym. | Parameters | Test Conditions | Min. | Typ. | Max. | Units |
| V _{IT+} | Positive-going input threshold voltage | STB=0V, Figure5 | | 800 | 900 | mV |
| V _{IT-} | Negative-going input threshold voltage | | 500 | 650 | | |
| V _{HYS} | Hysteresis voltage (VIT+ - VIT-) | | 100 | 125 | | |
| V _{OH} | High-level output voltage | IO=-2mA, Figure6 | 4 | 4.6 | | V |
| V _{OL} | Low-level output voltage | IO=2mA, Figure6 | | 0.2 | 0.4 | V |
| I _(OFF) | Unpowered input current | CANH or CANL=5V, other pin=0V | | | 5 | μA |
| C _I | Input capacitance to ground (CANH or CANL) | | | 13 | | pF |
| C _{ID} | Differential input capacitance | | | 5 | | pF |
| R _{IN} | Input resistance (CANH or CANL) | TXD=3V, STB=0V | 15 | 30 | 40 | KΩ |

| | | | | | | |
|------------------------------|--|--------------------------------------|-------------|-------------|-------------|--------------|
| R _{ID} | Differential input resistance | | 30 | | 80 | KΩ |
| R _I match | Input resistance matching: [1 - RIN(CANH) / RIN(CANL)] × 100% | CANH=CANL | -3% | | 3% | |
| V _{COM} | Common mode range | | -12 | | 12 | V |
| Power Supply Features | | | | | | |
| Sym. | Parameters | Test Conditions | Min. | Typ. | Max. | Units |
| I _{CC} | Standby mode power dissipation | STB=VCC, V _I =VCC | | 5 | 12 | μA |
| | Dominant power dissipation | V _I =0V, STB=0V, LOAD=60Ω | | 50 | 70 | mA |
| | Recessive power dissipation | V _I =VCC, STB=0V, NO LOAD | | 6 | 10 | mA |

Switching Characteristics

Unless otherwise stated, VCC=5V±10%, Temp=TMIN~TMAX, typical value is VCC=+5V, Temp=25°C

| | | | | | | |
|---|---|------------------------|-------------|-------------|-------------|--------------|
| Driver Switching Characteristics | | | | | | |
| Sym. | Parameters | Test Conditions | Min. | Typ. | Max. | Units |
| t _{PLH} | Driver propagation delay(L to H) | STB=0V, Figure4 | 25 | 65 | 120 | ns |
| t _{PHL} | Driver propagation delay(H to L) | | 25 | 45 | 90 | ns |
| t _r | Driver differential-output rise time | | | 25 | | ns |
| t _f | Driver differential-output fall time | | | 50 | | ns |
| t _{EN} | Delay time from listening mode to dominant enable | Figure7 | | | 10 | μs |
| t _{dom} | Dominant time-out time | Figure10 | 300 | 450 | 700 | μs |
| t _{BUS} | Bus wake-up time | | 0.7 | | 5 | μs |
| Receiver Switching Characteristics | | | | | | |
| Sym. | Parameters | Test Conditions | Min. | Typ. | Max. | Units |
| t _{PLH} | Receiver propagation delay(L to H) | STB=0V or VCC, Figure6 | 60 | 100 | 130 | ns |
| t _{PHL} | Receiver propagation delay(H to L) | | 45 | 70 | 90 | ns |
| t _r | Receiver output rise time | | | 8 | | ns |
| t _f | Receiver output fall time | | | 8 | | ns |
| Device Switching Characteristics | | | | | | |
| T _d (LOOP1) | Total loop delay1, driver input (TXD) to receiver output (RXD), recessive to dominant | | 90 | | 190 | ns |
| T _d (LOOP2) | Total loop delay2, driver input (TXD) to receiver output (RXD), dominant to recessive | | 90 | | 190 | ns |

Other Characteristics

Unless otherwise stated, VCC=5V±10%, Temp=TMIN~TMAX, typical value is VCC=+5V, Temp=25°C

| | | | | | | |
|------------------------------------|----------------------------------|----------------------------------|--------------------|-------------|--------------------|--------------|
| Over temperature protection | | | | | | |
| Sym. | Parameters | Test Conditions | Min. | Typ. | Max. | Units |
| T _j (sd) | Thermal shutdown of bus drivers | | | 160 | | °C |
| TXD Characteristics | | | | | | |
| Sym. | Parameters | Test Conditions | Min. | Typ. | Max. | Units |
| I _{IH} (TXD) | TXD pin High-level input current | V _I =VCC | -2 | | 2 | μA |
| I _{IL} (TXD) | TXD pin Low-level input current | V _I =0 | -50 | | -10 | μA |
| I _o (off) | VCC=0V, current of TXD | VCC=0V, TXD=5V | | | 1 | μA |
| V _{IH} | High-level input voltage | | 2 | | VCC+0.3 | V |
| V _{IL} | Low-level input voltage | | -0.3 | | 0.8 | V |
| TXD _o | TXD port suspension voltage | | | H | | logic |
| Common stable output | | | | | | |
| Sym. | Parameters | Test Conditions | Min. | Typ. | Max. | Units |
| V _o | Common stable output | -500uA<I _o <500uA | 0.3V _{CC} | | 0.7V _{CC} | V |
| I _o (stb) | Leakage current | STB=2V, -12V<V _o <12V | -5 | | 5 | μA |

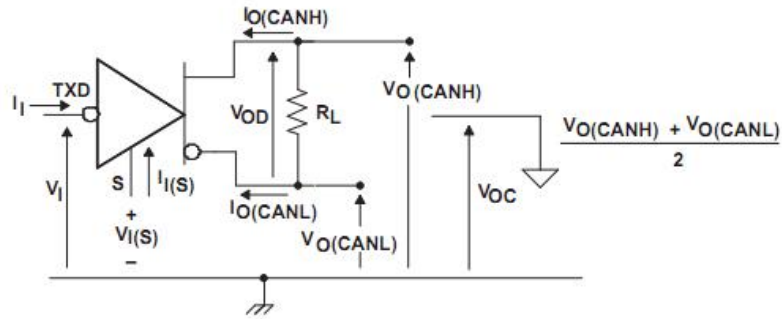


Figure 1. The driver voltage, current test defines

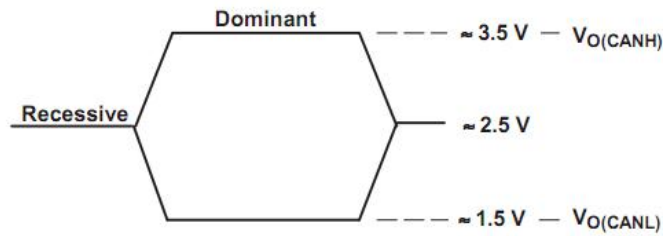


Figure 2. Bus logic voltage defines

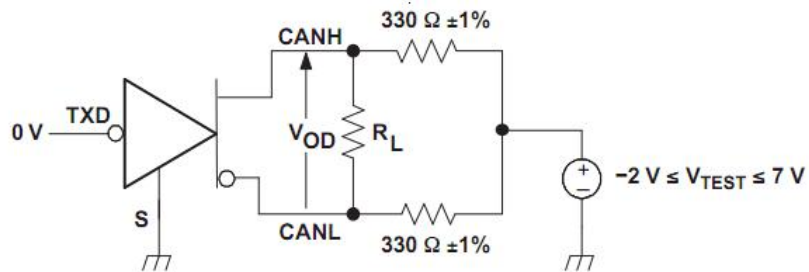


Figure3. Driver VOD testings telephone

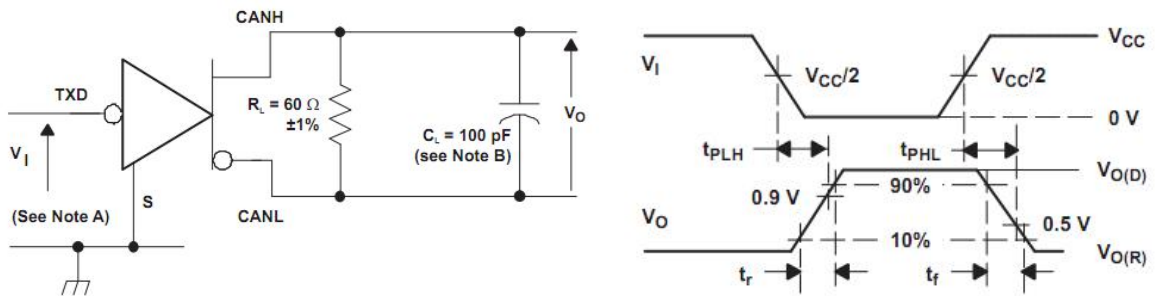


Figure 4. The driver testings telephone and electricity corrugating

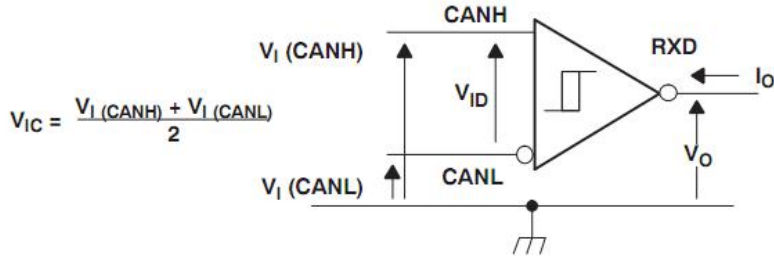


Figure 5. Receiver voltage and current definition

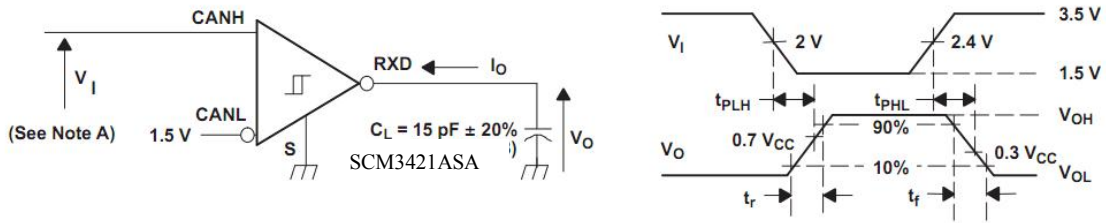


Figure 6. Receiver test telephone and electricity corrugating

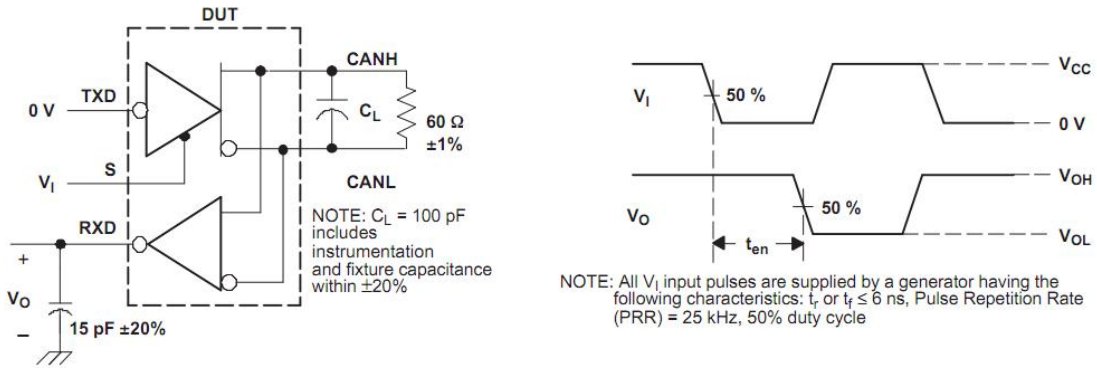


Figure 7. t_{EN} test circuit and electricity corrugating

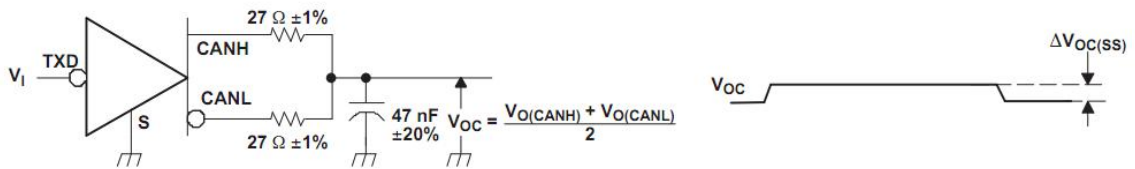


Figure 8. Common mode output voltage test and waveform

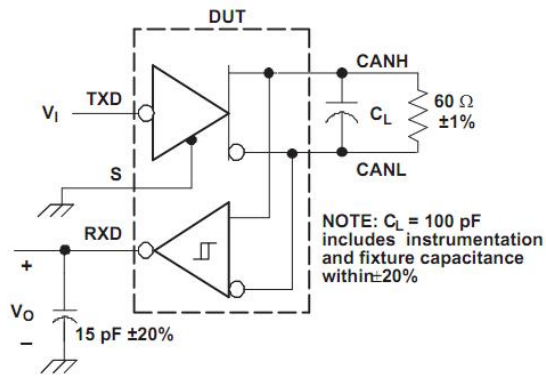


Figure 9. t(LOOP) Test Circuit and waveform

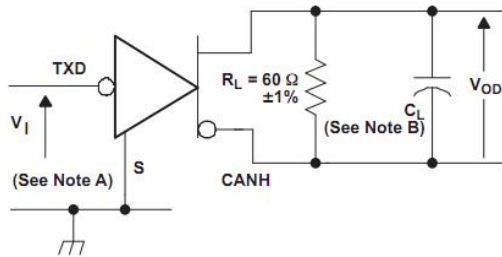


Figure 10. Dominant time-out test Circuit and waveform

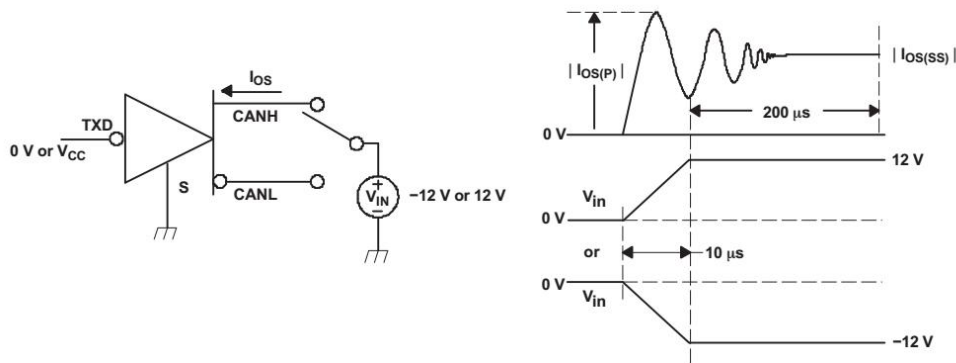


Figure 11. The driver short-circuit current test Circuit and waveform

General Description

The SCM3422ASA is an interface chip used between the CAN protocol controller and the physical bus. It can be used in many fields such as trucks, buses, cars, industrial control. It can reach speeds up to 1Mbps. The SCM3421ASA has the ability to differentially transmit between the bus and the CAN protocol controller. SCM3421ASA is compatible with the "ISO 11898" standard.

Short-circuit protection: The drive stage of the SCM3422ASA has current-limiting protection to prevent the drive circuit from short-circuiting to positive and negative supply voltages. The power dissipation increases when a short circuit occurs. The short-circuit protection function protects the driver stage from damage.

Fail-safe: The TXD pin is pulled up to the VCC path to ensure that the bus is in a recessive state when the TXD is not connected to power. The STB pin is pulled up to the VCC path to ensure that the transceiver is in standby when the STB is not connected to power. When the VCC supply is powered down, the TXD, STB, and RXD pins will become floating to prevent reverse supply through these pins.

Over-temperature protection: The SCM3422ASA has over-temperature protection. When the junction temperature exceeds 160°C, the current in the driver stage will decrease. Because the drive tube is the primary energy consuming component, current reduction can reduce power consumption and reduce chip temperature. At the same time, the rest of the chip remains functional.

Dominant time-out function : If the pin TXD is forced to a permanent low level due to a hardware or software application failure, the built-in TXD dominant timeout timer circuit prevents the bus line from being driven to a permanent dominant state (blocking all network traffic) . The timer is triggered by the negative edge on pin TXD.

If the low level on pin TXD lasts longer than the internal timer value (t_{dom}), the transmitter will be disabled and the drive bus will enter a recessive state. The timer is reset by the positive edge on pin TXD.

Control mode: Control pin STB allows selection of two operating modes: high speed mode or standby mode.

The high speed mode is the normal operating mode and is selected by grounding the pin STB. The transceiver is capable of transmitting and receiving data over the buses CANH and CANL. The differential receiver converts the analog data on the bus to digital data and outputs it to pin RXD through a multiplexer (MUX).

If pin STB is tied high or not connected, it operates in standby mode. In standby mode, the transmitter and receiver are turned off and the bus line is monitored by a low power differential comparator. A high level on pin STB activates the low power receiver and wake-up filter, and once the low power differential comparator detects a dominant bus level that exceeds tBUS, pin RXD will go low.

Design Circuit Expansion

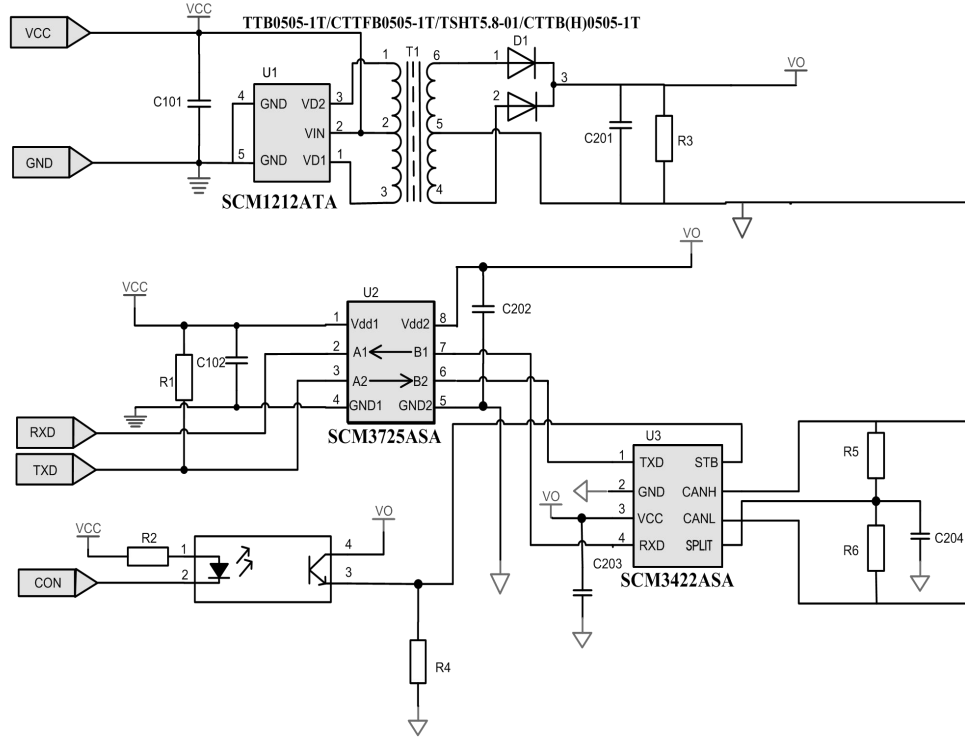


Figure 12. Isolated Application Circuit Schematic for Converting TTL/CMOS to CAN Bus

Power Usage Recommendations

Connecting the 0.1µF bypass capacitor as close as possible to the VCC pin of the device.

Ordering Information

| Product number | Package Type | Pins | Screen Printing | package |
|----------------|--------------|------|----------------------|-----------|
| SCM3422ASA | SOP | 8 | SCM 3422ASA YM | 2.5K/reel |

Product model and Screen Printing instructions:

SCM3422XYZ :

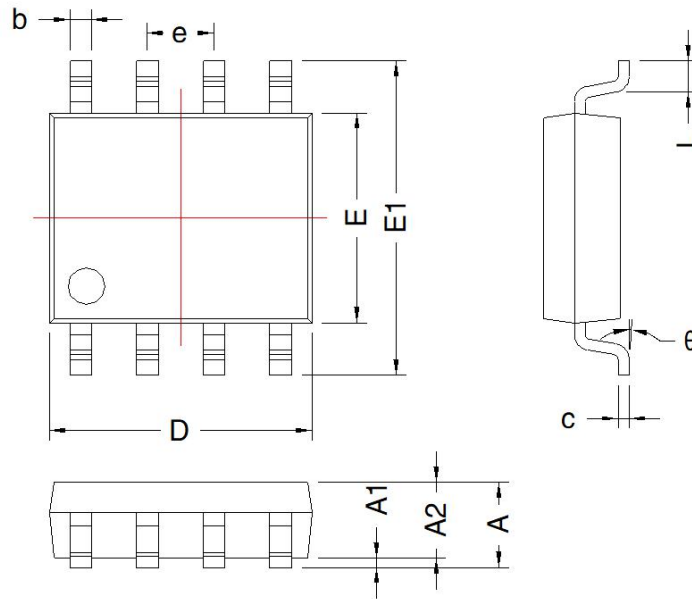
(1)SCM3422, Product Code.

(2)X = A-Z, Version code.

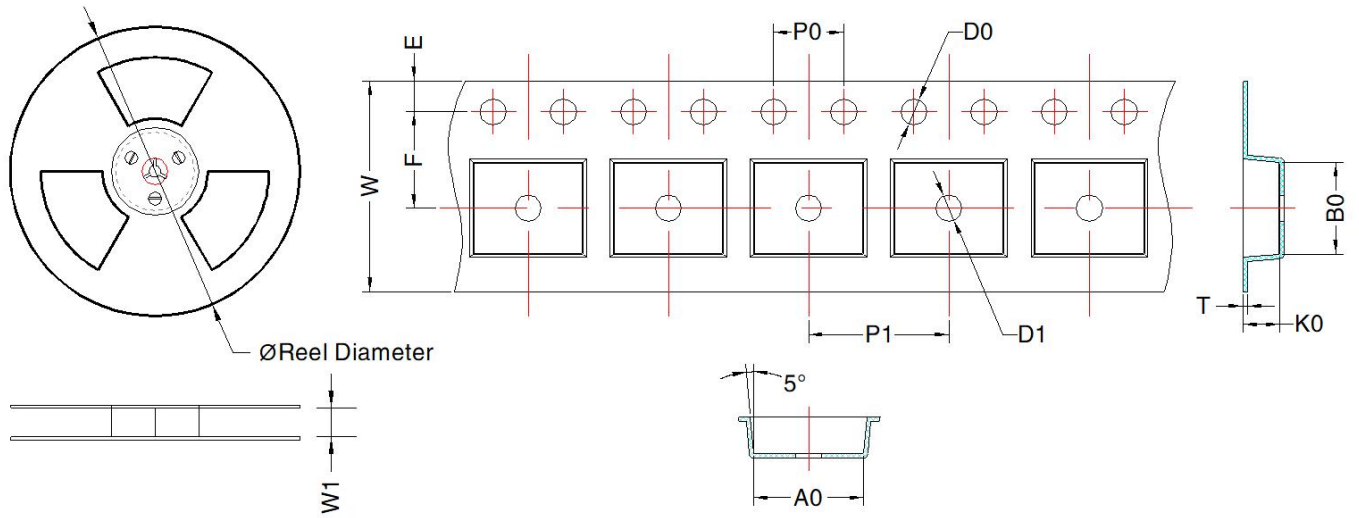
(3)Y = S Package code; S: SOP package.

(4)Z = C, I, A, M, Temperature class code; C: 0°C - 70°C, I: -40°C - 85°C, A: -40°C - 125°C, M: -55°C - 125°C.

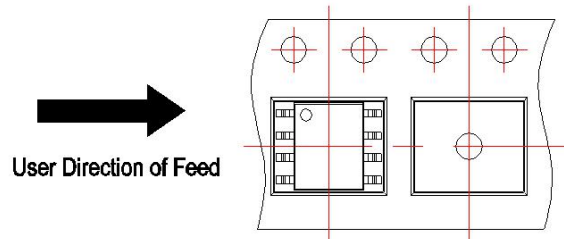
(5)YM: Product traceability code; Y: Product year code, M: Product production month code.



| SOP-8 | | | | |
|-------|---------------|-------|-----------------|-------|
| Mark | Dimension(mm) | | Dimension(inch) | |
| | Min | Max | Min | Max |
| A | 1.5 | 1.7 | 0.059 | 0.067 |
| A1 | 0.1 | 0.2 | 0.004 | 0.008 |
| A2 | 1.35 | 1.55 | 0.004 | Min |
| D | 4.8 | 5.0 | 0.053 | 0.197 |
| E | 3.78 | 3.98 | 0.149 | 0.157 |
| E1 | 5.8 | 6.2 | 0.228 | 0.244 |
| L | 0.4 | 0.8 | 0.016 | 0.031 |
| b | 0.355 | 0.455 | 0.014 | 0.018 |
| e | 1.27 TYP | | 0.05 TYP | |
| c | 0.153 | 0.253 | 0.006 | 0.001 |
| θ | 2° | 6° | 2° | 6° |



The orientation of IC in tape



| Device | Package Type | MPQ | Reel Diameter (mm) | Reel Width W1 (mm) | A0 (mm) | B0 (mm) | K0 (mm) | T (mm) | W (mm) | E (mm) | F (mm) | P1 (mm) | P0 (mm) | D0 (mm) | D1 (mm) |
|------------|--------------|------|--------------------|--------------------|---------|---------|---------|-----------|----------|----------|---------|---------|---------|---------|---------|
| SCM3422ASA | SOP-8 | 2500 | 330.0 | 12.4 | 6.4±0.1 | 5.3±0.1 | 2.1±0.1 | 0.25±0.03 | 12.0±0.1 | 1.75±0.1 | 5.5±0.1 | 8±0.1 | 4±0.1 | 1.5±0.1 | 1.5±0.1 |

MORNSUN Guangzhou Science & Technology Co., Ltd.

Address: No. 5, Kehui St. 1, Kehui Development Center, Science Ave., Guangzhou Science City, Huangpu District, Guangzhou, P. R. China
 Tel: 86-20-38601850 Fax: 86-20-38601272 E-mail: info@mornsun.cn www.mornsun-power.com