

National Semiconductor is now part of  
Texas Instruments.

Search <http://www.ti.com/> for the latest technical  
information and details on our current products and services.

## 5-Volt Regulator

### General Description

The LM109 series are complete 5V regulators fabricated on a single silicon chip. They are designed for local regulation on digital logic cards, eliminating the distribution problems associated with single-point regulation. The devices are available in two standard transistor packages. In the solid-kovar TO-5 header, it can deliver output currents in excess of 200 mA, if adequate heat sinking is provided. With the TO-3 power package, the available output current is greater than 1A.

The regulators are essentially blowout proof. Current limiting is included to limit the peak output current to a safe value. In addition, thermal shutdown is provided to keep the IC from overheating. If internal dissipation becomes too great, the regulator will shut down to prevent excessive heating.

Considerable effort was expended to make these devices easy to use and to minimize the number of external components. It is not necessary to bypass the output, although this

does improve transient response somewhat. Input bypassing is needed, however, if the regulator is located very far from the filter capacitor of the power supply. Stability is also achieved by methods that provide very good rejection of load or line transients as are usually seen with TTL logic.

Although designed primarily as a fixed-voltage regulator, the output of the LM109 series can be set to voltages above 5V, as shown. It is also possible to use the circuits as the control element in precision regulators, taking advantage of the good current-handling capability and the thermal overload protection.

### Features

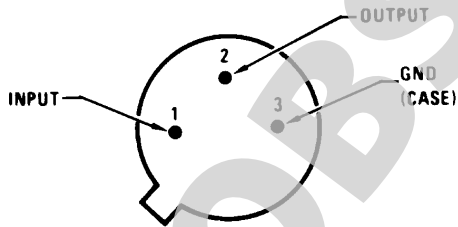
- Specified to be compatible, worst case, with TTL and DTL
- Output current in excess of 1A
- Internal thermal overload protection
- No external components required

### Ordering Information

NS Part Number	JAN Part Number	NS Package Number	Package Description
JL109BXA	JM38510/10701BXA	H03A	3LD Metal Can
JL109BYA	JM38510/10701BYA	K02C	2LD TO-3 Metal Can

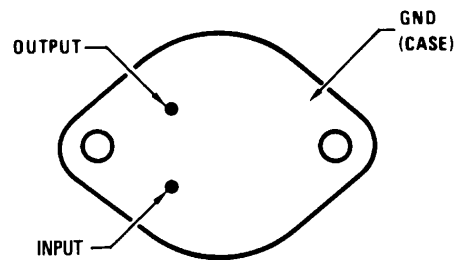
### Connection Diagrams

#### Metal Can Packages



See NS Package Number H03A  
Bottom View

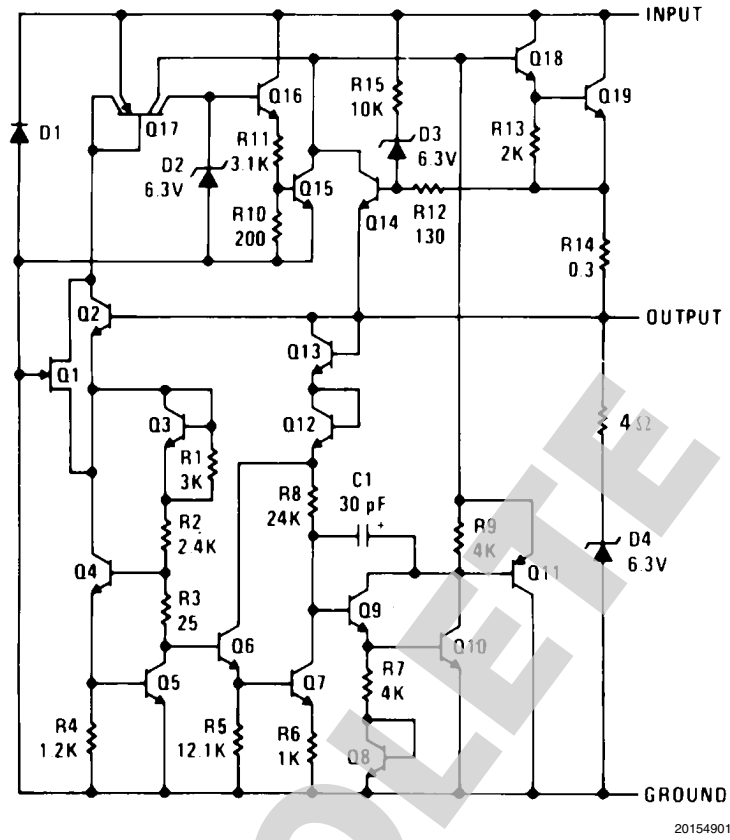
20154933



See NS Package Number K02C  
Bottom View

20154934

## Schematic Diagram



## Absolute Maximum Ratings *(Note 1)*

Input Voltage	35V
Power Dissipation	Internally Limited
Operating Ambient Temperature Range	$-55^{\circ}\text{C} \leq \text{TA} \leq +150^{\circ}\text{C}$
Storage Temperature Range	$-65^{\circ}\text{C} \leq \text{TA} \leq +150^{\circ}\text{C}$
Maximum Junction Temperature	150°C
Thermal Resistance	
$\theta_{\text{JA}}$	
H-Pkg (Still Air)	190°C/W
H-Pkg (500LF/Min Air flow)	69°C/W
K-Pkg (Still Air)	39°C/W
K-Pkg (500LF/Min Air flow)	TBD
$\theta_{\text{JC}}$	
H-Pkg	25°C/W
K-Pkg	3°C/W
Lead Temperature (Soldering, 10 sec.)	300°C
ESD Tolerance <i>(Note 9)</i>	4000V

## Quality Conformance Inspection

Mil-Std-883, Method 5005 - Group A

Subgroup	Description	Temp °C
1	Static tests at	25
2	Static tests at	125
3	Static tests at	-55
4	Dynamic tests at	25
5	Dynamic tests at	125
6	Dynamic tests at	-55
7	Functional tests at	25
8A	Functional tests at	125
8B	Functional tests at	-55
9	Switching tests at	25
10	Switching tests at	125
11	Switching tests at	-55
12	Settling time at	25
13	Settling time at	125
14	Settling time at	-55

## JL109H Electrical Characteristics

### DC Parameters

Symbol	Parameter	Conditions	Notes	Min	Max	Unit	Sub-groups
V <sub>O</sub>	Output Voltage	V <sub>I</sub> = 7V, I <sub>L</sub> = -5mA		4.7	5.4	V	1, 2, 3
		V <sub>I</sub> = 7V, I <sub>L</sub> = -0.5A	(Note 3)	4.7	5.4	V	1, 2, 3
		V <sub>I</sub> = 9V, I <sub>L</sub> = -0.5A		4.7	5.4	V	1, 2, 3
		V <sub>I</sub> = 25V, I <sub>L</sub> = -5mA		4.7	5.4	V	1, 2, 3
		V <sub>I</sub> = 25V, I <sub>L</sub> = -100mA		4.7	5.4	V	1, 2, 3
V <sub>RLine</sub>	Line Regulation	7V ≤ V <sub>I</sub> ≤ 25V, I <sub>L</sub> = -5mA		-50	50	mV	1
				-100	100	mV	2, 3
V <sub>RLoad</sub>	Load Regulation	V <sub>I</sub> = 10V, -0.5A ≤ I <sub>L</sub> ≤ -5mA		-100	100	mV	1, 2, 3
I <sub>SCD</sub>	Standby Current Drain	V <sub>I</sub> = 7V, I <sub>L</sub> = -5mA		-10	0.5	mA	1, 2, 3
		V <sub>I</sub> = 25V, I <sub>L</sub> = -5mA		-10	0.5	mA	1, 2, 3
ΔI <sub>SCD</sub> (Line)	Standby Current Drain vs Line Voltage	7V ≤ V <sub>I</sub> ≤ 25V, I <sub>L</sub> = -5mA		-0.5	0.5	mA	1, 2, 3
ΔI <sub>SCD</sub> (Load)	Standby Current Drain vs Load Current	V <sub>I</sub> = 10V, -0.5A ≤ I <sub>L</sub> ≤ -5mA		-0.8	0.8	mA	1, 2, 3
I <sub>OS</sub>	Output Short Circuit Current	V <sub>I</sub> = 35V		-2.0	0.01	A	1, 2, 3
V <sub>Start</sub>	Minimum Start Up Input Voltage	R <sub>L</sub> = 25Ω ±5%	(Note 8)		9.0	V	1, 2, 3
ΔV <sub>O</sub> / ΔT	Average Temperature Coefficient of Output Voltage	V <sub>I</sub> = 7V, I <sub>L</sub> = -5mA	(Note 4)	-2.0	2.0	mV/°C	8A, 8B

### AC Parameters

Symbol	Parameter	Conditions	Notes	Min	Max	Unit	Sub-groups
N <sub>O</sub>	Output Noise Voltage	V <sub>I</sub> = 10V, I <sub>L</sub> = -50mA			125	μV <sub>RMS</sub>	7
ΔV <sub>O</sub> / ΔV <sub>I</sub>	Line Transient Response	V <sub>I</sub> = 10V, V <sub>Pulse</sub> = 3V, I <sub>L</sub> = -5mA	(Note 5)		45	mV	7
ΔV <sub>O</sub> / ΔI <sub>L</sub>	Load Transient Response	V <sub>I</sub> = 10V, I <sub>L</sub> = -50mA, ΔI <sub>L</sub> = -200mA	(Note 7)		400	mV	7
ΔV <sub>I</sub> / ΔV <sub>O</sub>	Ripple Rejection	V <sub>I</sub> = 10V, I <sub>L</sub> = -125mA, e <sub>r</sub> = 1V <sub>RMS</sub> at f = 2400Hz		60		dB	4

### DC Drift Parameters

Delta calculations performed on JAN S devices at group B, Subgroup 5, only.

Symbol	Parameter	Conditions	Notes	Min	Max	Unit	Sub-groups
V <sub>O</sub>	Output Voltage	V <sub>I</sub> = 7V, I <sub>L</sub> = -5mA		-0.025	0.025	V	1
		V <sub>I</sub> = 7V, I <sub>L</sub> = -0.5A		-0.025	0.025	V	1
		V <sub>I</sub> = 9V, I <sub>L</sub> = -0.5A		-0.025	0.025	V	1
		V <sub>I</sub> = 25V, I <sub>L</sub> = -5mA		-0.025	0.025	V	1
		V <sub>I</sub> = 25V, I <sub>L</sub> = -100mA		-0.025	0.025	V	1
V <sub>RLine</sub>	Line Regulation	7V ≤ V <sub>I</sub> ≤ 25V, I <sub>L</sub> = -5mA		-10	10	mV	1

Symbol	Parameter	Conditions	Notes	Min	Max	Unit	Sub-groups
$V_{RLoad}$	Load Regulation	$V_I = 10V, -0.5A \leq I_L \leq -5mA$		-10	10	mV	1
$I_{SCD}$		$V_I = 7V, I_L = -5mA$		-1.0	1.0	mA	1
		$V_I = 25V, I_L = -5mA$		-1.0	1.0	mA	1

OBSOLETE

## JL109K Electrical Characteristics

### DC Parameters

Symbol	Parameter	Conditions	Notes	Min	Max	Unit	Sub-groups
V <sub>O</sub>	Output Voltage	V <sub>I</sub> = 7V, I <sub>L</sub> = -5mA		4.7	5.4	V	1, 2, 3
		V <sub>I</sub> = 7V, I <sub>L</sub> = -1.5A	(Note 3)	4.7	5.4	V	1, 2, 3
		V <sub>I</sub> = 18V, I <sub>L</sub> = -1.5A		4.7	5.4	V	1, 2, 3
		V <sub>I</sub> = 25V, I <sub>L</sub> = -5mA		4.7	5.4	V	1, 2, 3
		V <sub>I</sub> = 25V, I <sub>L</sub> = -1A		4.7	5.4	V	1, 2, 3
V <sub>RLine</sub>	Line Regulation	7V ≤ V <sub>I</sub> ≤ 25V, I <sub>L</sub> = -5mA		-50	50	mV	1
				-100	100	mV	2, 3
V <sub>RLoad</sub>	Load Regulation	V <sub>I</sub> = 10V, -1.5A ≤ I <sub>L</sub> ≤ -5mA		-100	100	mV	1, 2, 3
I <sub>SCD</sub>	Standby Current Drain	7V ≤ V <sub>I</sub> ≤ 25V, I <sub>L</sub> = -5mA		-10	0.5	mA	1, 2, 3
ΔI <sub>SCD</sub> (Line)	Standby Current Drain vs Line Voltage	7V ≤ V <sub>I</sub> ≤ 25V, I <sub>L</sub> = -5mA		-0.5	0.5	mA	1, 2, 3
ΔI <sub>SCD</sub> (Load)	Standby Current Drain vs Load Current	V <sub>I</sub> = 10V, -1.5A ≤ I <sub>L</sub> ≤ -5mA		-0.8	0.8	mA	1, 2, 3
I <sub>OS</sub>	Output Short Circuit Current	V <sub>I</sub> = 35V		-2.8	0.01	A	1, 2, 3
V <sub>Start</sub>	Minimum Start Up Input Voltage	R <sub>L</sub> = 5Ω ±5%	(Note 8)		9.0	V	1, 2, 3
ΔV <sub>O</sub> / ΔT	Average Temperature Coefficient of Output Voltage	V <sub>I</sub> = 7V, I <sub>L</sub> = -5mA	(Note 4)	-2.0	2.0	mV/°C	8A, 8B

### AC Parameters

Symbol	Parameter	Conditions	Notes	Min	Max	Unit	Sub-groups
N <sub>O</sub>	Output Noise Voltage	V <sub>I</sub> = 10V, I <sub>L</sub> = -100mA			125	μV <sub>RMS</sub>	7
ΔV <sub>O</sub> / ΔV <sub>I</sub>	Line Transient Response	V <sub>I</sub> = 10V, V <sub>Pulse</sub> = 3V, I <sub>L</sub> = -5mA	(Note 5)		45	mV	7
ΔV <sub>O</sub> / ΔI <sub>L</sub>	Load Transient Response	V <sub>I</sub> = 10V, I <sub>L</sub> = -100mA, ΔI <sub>L</sub> = -400mA	(Note 6)		800	mV	7
ΔV <sub>I</sub> / ΔV <sub>O</sub>	Ripple Rejection	V <sub>I</sub> = 10V, I <sub>L</sub> = -350mA, e <sub>I</sub> = 1V <sub>RMS</sub> at f = 2400Hz		60		dB	4

### DC Drift Parameters

Delta calculations performed on JAN S devices at group B, Subgroup 5, only.

Symbol	Parameter	Conditions	Notes	Min	Max	Unit	Sub-groups
V <sub>O</sub>	Output Voltage	V <sub>I</sub> = 7V, I <sub>L</sub> = -5mA		-0.025	0.025	V	1
		V <sub>I</sub> = 7V, I <sub>L</sub> = -1.5A		-0.025	0.025	V	1
		V <sub>I</sub> = 18V, I <sub>L</sub> = -1.5A		-0.025	0.025	V	1
		V <sub>I</sub> = 25V, I <sub>L</sub> = -5mA		-0.025	0.025	V	1
		V <sub>I</sub> = 25V, I <sub>L</sub> = -1A		-0.025	0.025	V	1
V <sub>RLine</sub>	Line Regulation	7V ≤ V <sub>I</sub> ≤ 25V, I <sub>L</sub> = -5mA		-10	10	mV	1

Symbol	Parameter	Conditions	Notes	Min	Max	Unit	Sub-groups
$V_{Rload}$	Load Regulation	$V_I = 10V, -1.5A \leq I_L \leq -5mA$		-10	10	mV	1
$I_{SCD}$	Standby Current Drain	$7V \leq V_I \leq 25V, I_L = -5mA$		-1.0	1.0	mA	1

OBSOLETE



**Note 1:** Absolute Maximum Ratings indicate limits beyond which damage to the device may occur. Operating Ratings indicate conditions for which the device is functional, but do not guarantee specific performance limits. For guaranteed specifications and test conditions, see the Electrical Characteristics. The guaranteed specifications apply only for the test conditions listed. Some performance characteristics may degrade when the device is not operated under the listed test conditions.

**Note 2:** This test is performed by shifting the input voltage in 50mV increments until output reaches 4.706V.

**Note 3:**  $V_I = 8V$  at  $-55^\circ C$ .

**Note 4:** Calculated parameter.

**Note 5:** Slash Sheet limit of 15 mV/V is equivalent to 45mV

**Note 6:** Slash Sheet limit of 2mV/mA is equivalent to 800mV

**Note 7:** Slash Sheet limit of 2mV/mA is equivalent to 400mV

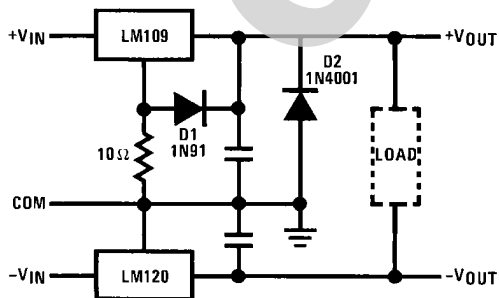
**Note 8:** Parameter tested go-no-go, only.

**Note 9:** Human body model, 1.5k $\Omega$  in series with 100pF.

## Application Hints

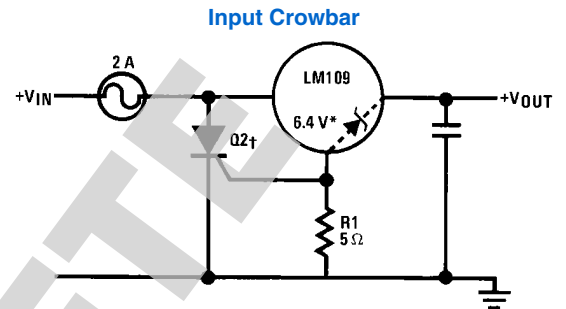
1. **Bypass the input** of the LM109 to ground with  $\geq 0.2 \mu F$  ceramic or solid tantalum capacitor if main filter capacitor is more than 4 inches away.
2. **Avoid insertion of regulator into "live" socket** if input voltage is greater than 10V. The output will rise to within 2V of the unregulated input if the ground pin does not make contact, possibly damaging the load. The LM109 may also be damaged if a large output capacitor is charged up, then discharged through the internal clamp zener when the ground pin makes contact.
3. **The output clamp zener** is designed to absorb transients only. It will not clamp the output effectively if a failure occurs in the internal power transistor structure. Zener dynamic impedance is  $\approx 4\Omega$ . Continuous RMS current into the zener should not exceed 0.5A.
4. **Paralleling of LM109s** for higher output current is not recommended. Current sharing will be almost nonexistent, leading to a current limit mode operation for devices with the highest initial output voltage. The current limit devices may also heat up to the thermal shutdown point ( $\approx 175^\circ C$ ). Long term reliability cannot be guaranteed under these conditions.
5. **Preventing latchoff** for loads connected to negative voltage:

If the output of the LM109 is pulled negative by a high current supply so that the output pin is more than 0.5V negative with respect to the ground pin, the LM109 can latch off. This can be prevented by clamping the ground pin to the output pin with a germanium or Schottky diode as shown. A silicon diode (1N4001) at the output is also needed to keep the positive output from being pulled too far negative. The 10 $\Omega$  resistor will raise  $+V_{OUT}$  by  $\approx 0.05V$ .



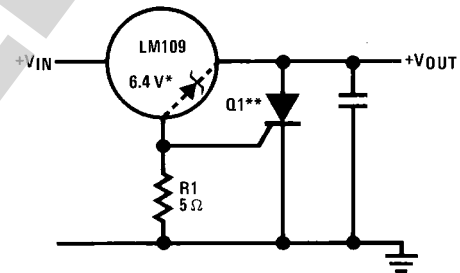
20154907

## Crowbar Overvoltage Protection



20154908

### Output Crowbar



20154909

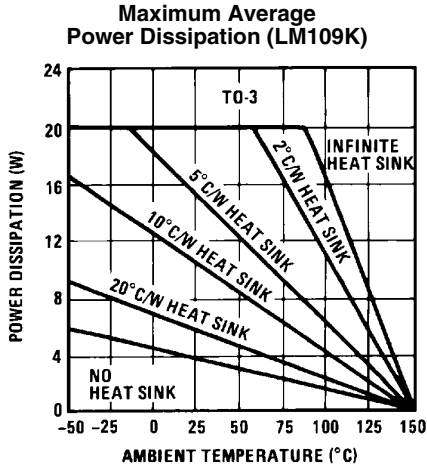
\*Zener is internal to LM109.

\*\*Q1 must be able to withstand 7A continuous current if fusing is not used at regulator input. LM109 bond wires will fuse at currents above 7A.

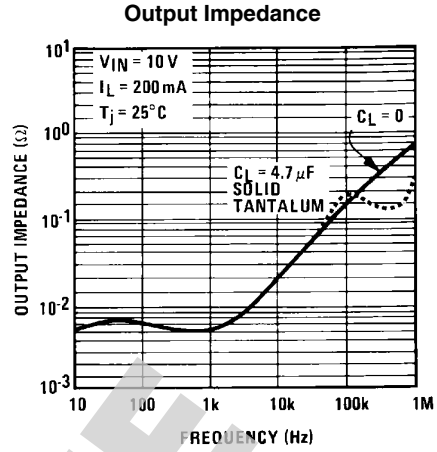
†Q2 is selected for surge capability. Consideration must be given to filter capacitor size, transformer impedance, and fuse blowing time.

††Trip point is  $\approx 7.5V$ .

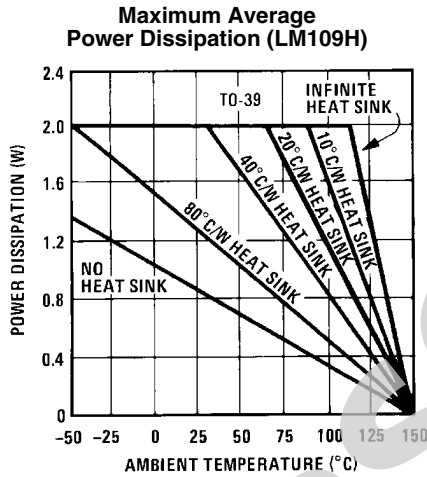
# Typical Performance Characteristics



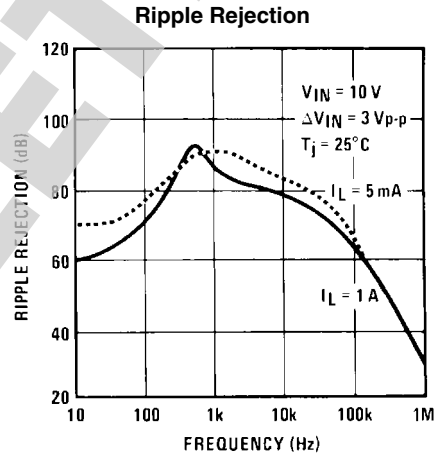
20154916



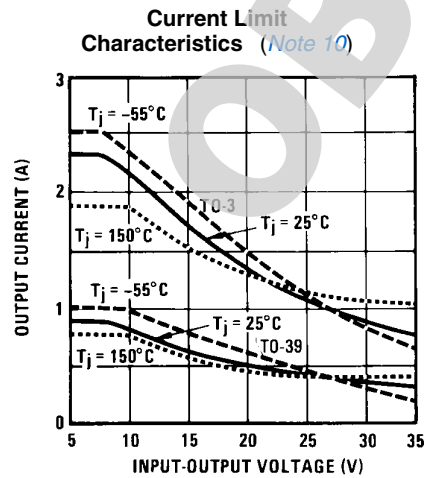
20154918



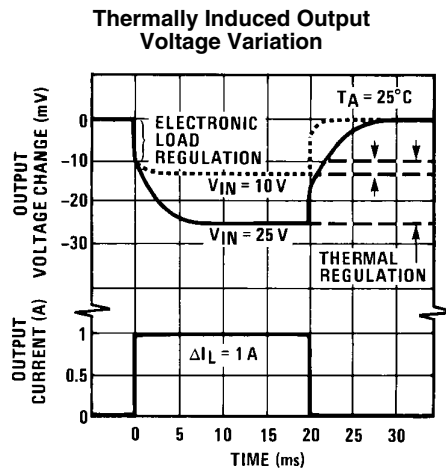
20154919



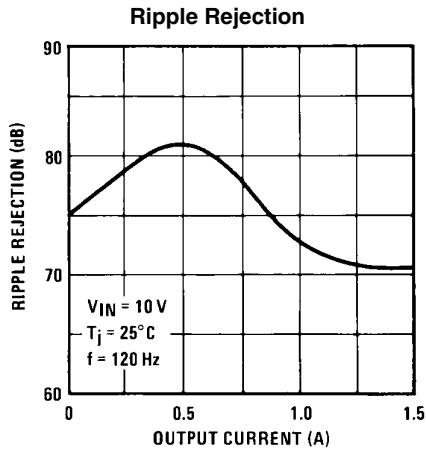
20154921



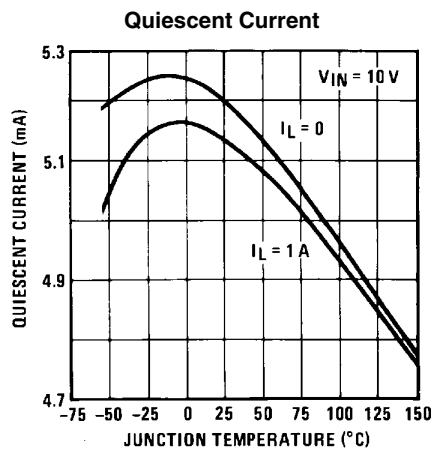
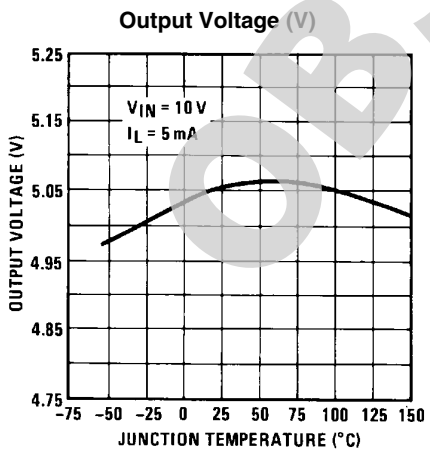
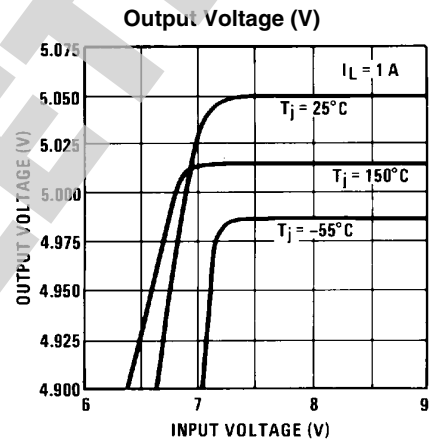
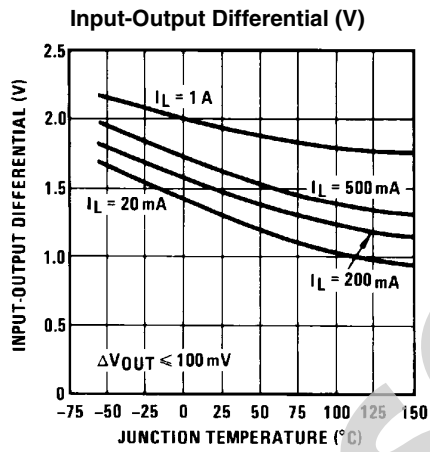
20154922

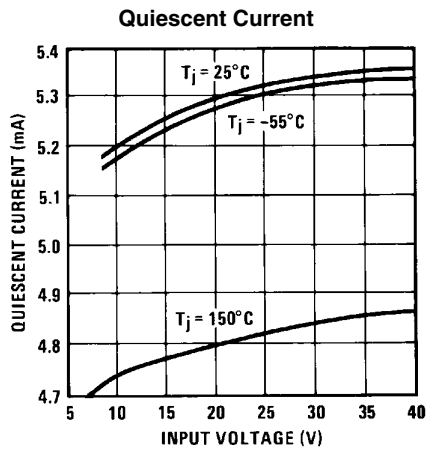


20154923

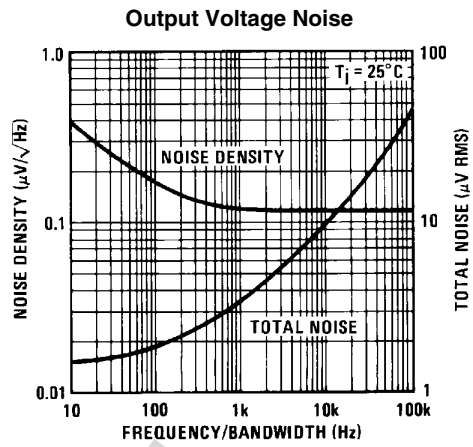


**Note 10:** Current limiting foldback characteristics are determined by input output differential, not by output voltage.

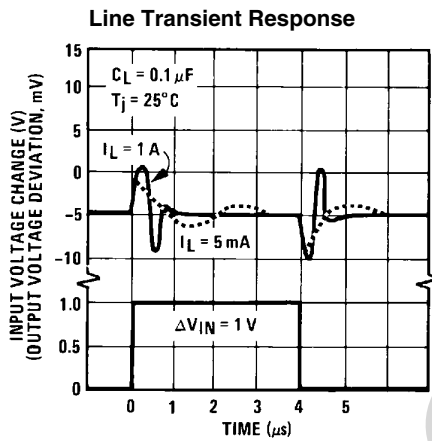




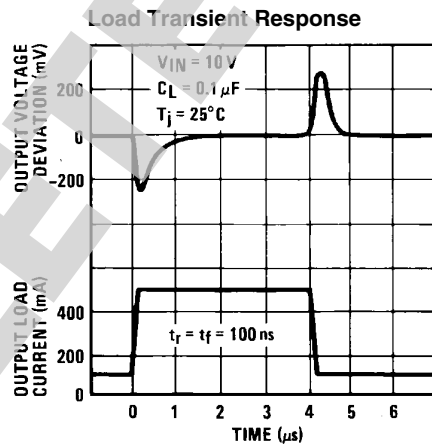
20154929



20154930



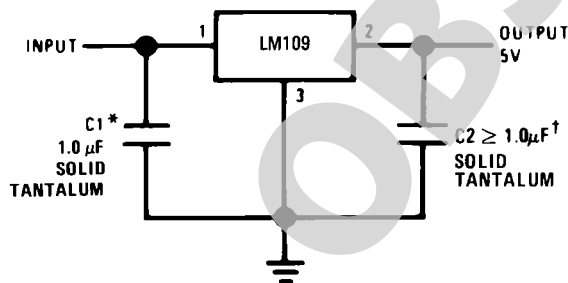
20154931



20154932

## Typical Applications

### Fixed 5V Regulator



20154902

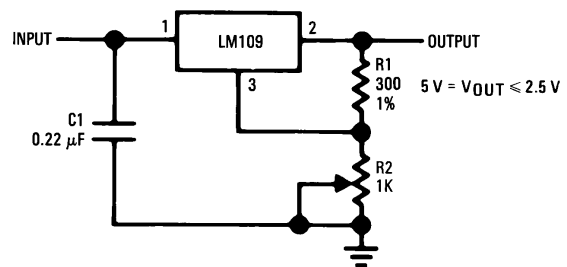
\*Required if regulator is located more than 4 inches from power supply filter capacitor.

†Although no output capacitor is needed for stability, it does improve transient response.

C2 should be used whenever long wires are used to connect to the load, or when transient response is critical.

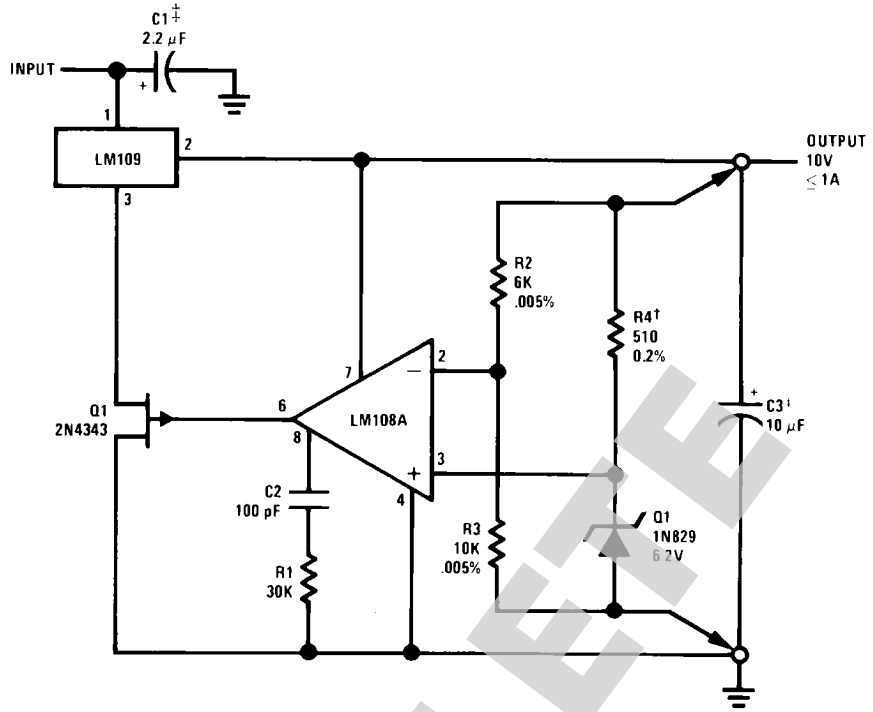
**Note:** Pin 3 electrically connected to case.

### Adjustable Output Regulator



20154904

High Stability Regulator\*



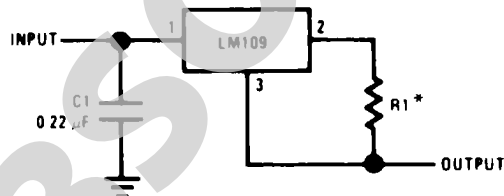
20154905

\*Regulation better than 0.01%, load, line and temperature, can be obtained.

†Determines zener current. May be adjusted to minimize thermal drift.

‡Solid tantalum.

Current Regulator



20154906

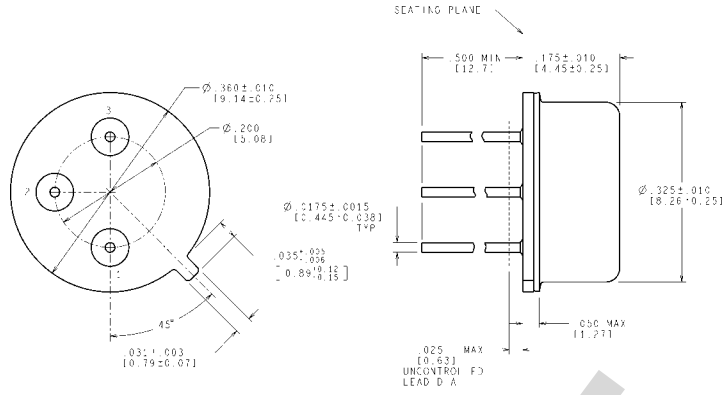
\*Determines output current. If wirewound resistor is used, bypass with 0.1 μF.

## Revision History

Date Released	Revision	Section	Changes
11/08/05	A	New release to corporate format	2 MDS datasheets converted into one datasheet in the corporate format. MJLM109-K Rev 0BL & MJLM109-H Rev 0AL will be archived.
9/24/10	B	End Of Life on Product/NSID	Revision B, End of Life on Product/NSID Dec. 2008/09 Obsolete Data Sheet

OBSOLETE

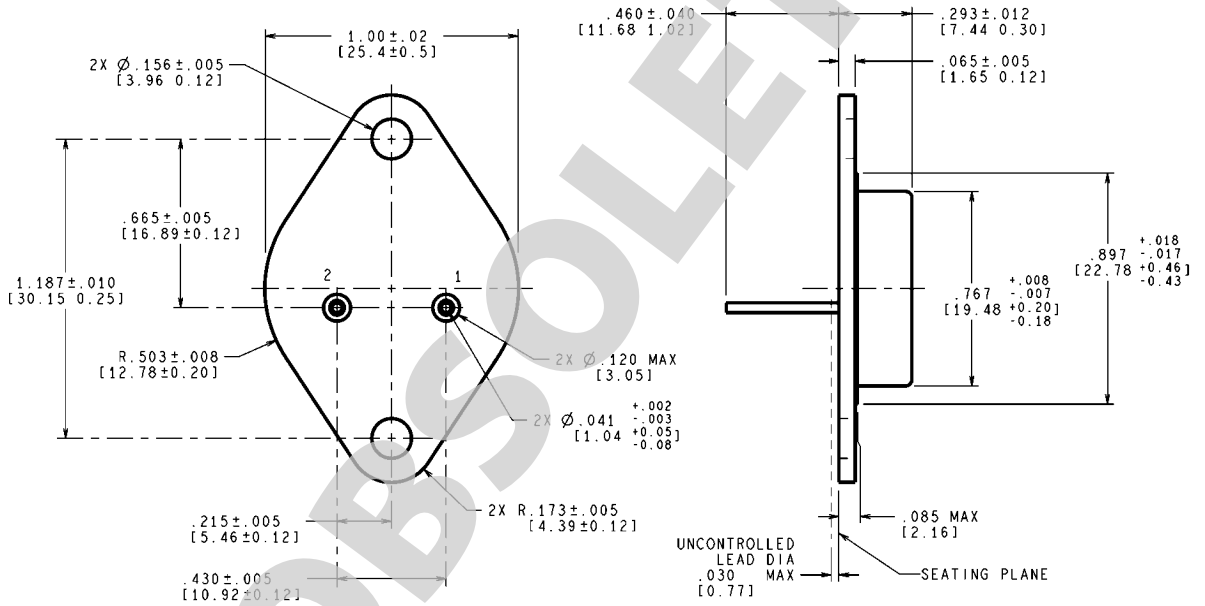
**Physical Dimensions** inches (millimeters) unless otherwise noted



CONTROLLING DIMENSION IS INCH  
VALUES IN [ ] ARE MILLIMETERS

MIL-PRF-38535  
CONFIGURATION CONTROL H03A (Rev D)

**Metal Can Package (H)  
NS Package Number H03A**



CONTROLLING DIMENSION IS INCH  
VALUES IN [ ] ARE MILLIMETERS

MIL-PRF-38535  
CONFIGURATION CONTROL

**Metal Can Package (K)  
NS Package Number K02C**

K02C (Rev E)

# Notes

LM109JAN

**OBSOLETE**



## Notes

For more National Semiconductor product information and proven design tools, visit the following Web sites at:  
[www.national.com](http://www.national.com)

Products		Design Support	
Amplifiers	<a href="http://www.national.com/amplifiers">www.national.com/amplifiers</a>	WEBENCH® Tools	<a href="http://www.national.com/webench">www.national.com/webench</a>
Audio	<a href="http://www.national.com/audio">www.national.com/audio</a>	App Notes	<a href="http://www.national.com/appnotes">www.national.com/appnotes</a>
Clock and Timing	<a href="http://www.national.com/timing">www.national.com/timing</a>	Reference Designs	<a href="http://www.national.com/refdesigns">www.national.com/refdesigns</a>
Data Converters	<a href="http://www.national.com/adc">www.national.com/adc</a>	Samples	<a href="http://www.national.com/samples">www.national.com/samples</a>
Interface	<a href="http://www.national.com/interface">www.national.com/interface</a>	Eval Boards	<a href="http://www.national.com/evalboards">www.national.com/evalboards</a>
LVDS	<a href="http://www.national.com/lvds">www.national.com/lvds</a>	Packaging	<a href="http://www.national.com/packaging">www.national.com/packaging</a>
Power Management	<a href="http://www.national.com/power">www.national.com/power</a>	Green Compliance	<a href="http://www.national.com/quality/green">www.national.com/quality/green</a>
Switching Regulators	<a href="http://www.national.com/switchers">www.national.com/switchers</a>	Distributors	<a href="http://www.national.com/contacts">www.national.com/contacts</a>
LDOs	<a href="http://www.national.com/ldo">www.national.com/ldo</a>	Quality and Reliability	<a href="http://www.national.com/quality">www.national.com/quality</a>
LED Lighting	<a href="http://www.national.com/led">www.national.com/led</a>	Feedback/Support	<a href="http://www.national.com/feedback">www.national.com/feedback</a>
Voltage References	<a href="http://www.national.com/vref">www.national.com/vref</a>	Design Made Easy	<a href="http://www.national.com/easy">www.national.com/easy</a>
PowerWise® Solutions	<a href="http://www.national.com/powerwise">www.national.com/powerwise</a>	Applications & Markets	<a href="http://www.national.com/solutions">www.national.com/solutions</a>
Serial Digital Interface (SDI)	<a href="http://www.national.com/sdi">www.national.com/sdi</a>	Mil/Aero	<a href="http://www.national.com/milaero">www.national.com/milaero</a>
Temperature Sensors	<a href="http://www.national.com/tempensors">www.national.com/tempensors</a>	SolarMagic™	<a href="http://www.national.com/solarmagic">www.national.com/solarmagic</a>
PLL/VCO	<a href="http://www.national.com/wireless">www.national.com/wireless</a>	PowerWise® Design University	<a href="http://www.national.com/training">www.national.com/training</a>

THE CONTENTS OF THIS DOCUMENT ARE PROVIDED IN CONNECTION WITH NATIONAL SEMICONDUCTOR CORPORATION ("NATIONAL") PRODUCTS. NATIONAL MAKES NO REPRESENTATIONS OR WARRANTIES WITH RESPECT TO THE ACCURACY OR COMPLETENESS OF THE CONTENTS OF THIS PUBLICATION AND RESERVES THE RIGHT TO MAKE CHANGES TO SPECIFICATIONS AND PRODUCT DESCRIPTIONS AT ANY TIME WITHOUT NOTICE. NO LICENSE, WHETHER EXPRESS, IMPLIED, ARISING BY ESTOPPEL OR OTHERWISE, TO ANY INTELLECTUAL PROPERTY RIGHTS IS GRANTED BY THIS DOCUMENT.

TESTING AND OTHER QUALITY CONTROLS ARE USED TO THE EXTENT NATIONAL DEEMS NECESSARY TO SUPPORT NATIONAL'S PRODUCT WARRANTY. EXCEPT WHERE MANDATED BY GOVERNMENT REQUIREMENTS, TESTING OF ALL PARAMETERS OF EACH PRODUCT IS NOT NECESSARILY PERFORMED. NATIONAL ASSUMES NO LIABILITY FOR APPLICATIONS ASSISTANCE OR BUYER PRODUCT DESIGN. BUYERS ARE RESPONSIBLE FOR THEIR PRODUCTS AND APPLICATIONS USING NATIONAL COMPONENTS. PRIOR TO USING OR DISTRIBUTING ANY PRODUCTS THAT INCLUDE NATIONAL COMPONENTS, BUYERS SHOULD PROVIDE ADEQUATE DESIGN, TESTING AND OPERATING SAFEGUARDS.

EXCEPT AS PROVIDED IN NATIONAL'S TERMS AND CONDITIONS OF SALE FOR SUCH PRODUCTS, NATIONAL ASSUMES NO LIABILITY WHATSOEVER, AND NATIONAL DISCLAIMS ANY EXPRESS OR IMPLIED WARRANTY RELATING TO THE SALE AND/OR USE OF NATIONAL PRODUCTS INCLUDING LIABILITY OR WARRANTIES RELATING TO FITNESS FOR A PARTICULAR PURPOSE, MERCHANTABILITY, OR INFRINGEMENT OF ANY PATENT, COPYRIGHT OR OTHER INTELLECTUAL PROPERTY RIGHT.

#### LIFE SUPPORT POLICY

**NATIONAL'S PRODUCTS ARE NOT AUTHORIZED FOR USE AS CRITICAL COMPONENTS IN LIFE SUPPORT DEVICES OR SYSTEMS WITHOUT THE EXPRESS PRIOR WRITTEN APPROVAL OF THE CHIEF EXECUTIVE OFFICER AND GENERAL COUNSEL OF NATIONAL SEMICONDUCTOR CORPORATION.** As used herein:

Life support devices or systems are devices which (a) are intended for surgical implant into the body, or (b) support or sustain life and whose failure to perform when properly used in accordance with instructions for use provided in the labeling can be reasonably expected to result in a significant injury to the user. A critical component is any component in a life support device or system whose failure to perform can be reasonably expected to cause the failure of the life support device or system or to affect its safety or effectiveness.

National Semiconductor and the National Semiconductor logo are registered trademarks of National Semiconductor Corporation. All other brand or product names may be trademarks or registered trademarks of their respective holders.

Copyright© 2010 National Semiconductor Corporation

For the most current product information visit us at [www.national.com](http://www.national.com)



[www.national.com](http://www.national.com)

**National Semiconductor  
Americas Technical  
Support Center**

Email: [support@nsc.com](mailto:support@nsc.com)  
Tel: 1-800-272-9959

**National Semiconductor Europe  
Technical Support Center**

Email: [europe.support@nsc.com](mailto:europe.support@nsc.com)

**National Semiconductor Asia  
Pacific Technical Support Center**

Email: [ap.support@nsc.com](mailto:ap.support@nsc.com)

**National Semiconductor Japan  
Technical Support Center**

Email: [jpn.feedback@nsc.com](mailto:jpn.feedback@nsc.com)