

STK544UC62K-E

Inverter IPM for 3-phase Motor Drive



ON Semiconductor®

Overview

This Inverter IPM (Intelligent Power Module) includes the output stage of a 3-phase inverter, pre-drive circuits, bootstrap circuits, and protection circuits in one package.

www.onsemi.com

Function

- SIP(single in-line package) of the transfer full mold structure.
- The emitter line of the each lower phase outputs to an external terminal with the option of control using 3-phase current detection with external resistors.
- Direct input of CMOS level control signals without an insulating circuit is possible.
- Protective circuits including over current and pre-drive low voltage protection are built in.
- A single power supply drive is enabled through the use of bootstrap circuits for upper IGBT gate drives.
- Built-in dead-time for shoot-thru protection.
- Internal substrate temperature is measured with an internal pulled up thermistor.

Certification

- UL1557 (File Number: E339285).

Specifications

Absolute Maximum Ratings at Tc = 25°C

Parameter	Symbol	Conditions	Ratings	Unit
Supply voltage	V _{CC}	V+ to VRU(VRV,VRW), surge<500V *1	450	V
Collector-emitter voltage	V _{CE}	V+ to U(V,W) or U(V,W) to VRU(VRV,VRW)	600	V
Output current	I _o	V+, VRU,VRV,VRW, U,V,W terminal current	±10	A
		V+, VRU,VRV,VRW, U,V,W terminal current at Tc=100°C	±6	A
Output peak current	I _{op}	V+, VRU,VRV,VRW, U,V,W terminal current for a pulse width of 1ms	±20	A
Pre-driver voltage	VD1,2,3,4	VB1 to U, VB2 to V, VB3 to W, V _{DD} to V _{SS} *2	20	V
Input signal voltage	V _{IN}	HIN1, 2, 3, LIN1, 2, 3 terminals	-0.3 to 7	V
ITRIP terminal voltage	V _{ITRIP}	ITRIP terminal	V _{SS} +5	V
Maximum power dissipation	P _d	IGBT per 1 channel	22	W
Junction temperature	T _j	IGBT,FRD	150	°C
Storage temperature	T _{stg}		-40 to +125	°C
Operating case temperature	T _c	H-IC case temperature	-40 to +100	°C
Tightening torque		Case mounting screws *3	0.9	Nm
Withstand voltage	V _{is}	50Hz sine wave AC 1 minute *4	2000	VRMS

Reference voltage is "V_{SS}" terminal voltage unless otherwise specified.

*1: Surge voltage developed by the switching operation due to the wiring inductance between V+ and VRU(VRV,VRW) terminals.

*2: VD1=VB1 to U, VD2=VB2 to V, VD3=VB3 to W, VD4=V_{DD} to V_{SS} terminal voltage.

*3: Flatness of the heat-sink should be less than -50µm to +100µm.

*4: Test conditions : AC2500V, 1 second.

Stresses exceeding those listed in the Maximum Ratings table may damage the device. If any of these limits are exceeded, device functionality should not be assumed, damage may occur and reliability may be affected.

ORDERING INFORMATION

See detailed ordering and shipping information on page 15 of this data sheet.

STK544UC62K-E

Electrical Characteristics at Tc = 25°C, VD1, VD2, VD3, VD4 = 15V

Parameter	Symbol	Conditions	Test circuit	Ratings			Unit
				min	typ	max	
Power output section							
Collector-emitter cut-off current	I _{CE}	V _{CE} =600V	Fig.1	-	-	0.1	mA
Bootstrap diode reverse current	I _{R(BD)}	V _{R(BD)} =600V		-	-	0.1	mA
Collector to emitter saturation voltage	V _{CE(SAT)}	I _o =10A, T _j =25°C	Fig.2	-	1.4	2.3	V
		I _o =5A, T _j =100°C		-	1.3	-	
Diode forward voltage	V _F	I _o =10A, T _j =25°C	Fig.3	-	1.3	2.2	V
		I _o =5A, T _j =100°C		-	1.2	-	
Junction to case thermal resistance	θ _{j-c(T)}	IGBT	-	-	4.5	5.5	°C/W
	θ _{j-c(D)}	FRD		-	5.5	6.5	
Thermal resistance case to sink	R _{th(c-s)}	1W/mK thermal conductivity *1		-	0.1	-	
Protection section							
FAULT clearance delay time	FLTCLR	Form time fault condition clears	-	6	9	12	ms
Switching time	t _{ON}	I _o =10A	Fig.5	-	0.48	-	μs
	t _{OFF}	Inductive load		-	0.54	-	

Reference voltage is "V_{SS}" terminal voltage unless otherwise specified.

*1: At 100μm thickness of the thermal grease.

Product parametric performance is indicated in the Electrical Characteristics for the listed test conditions, unless otherwise noted. Product performance may not be indicated by the Electrical Characteristics if operated under different conditions.

Electrical Characteristics Driver Function at Tc = 25°C

Parameter	Symbol	Test circuit	Ratings			Unit
			min	typ	max	
Supply section						
V _{DD} and V _{BS} supply undervoltage protection reset	V _{DDUV+}	-	10.5	11.1	11.7	V
	V _{BSUV+}					
V _{DD} and V _{BS} supply undervoltage protection set	V _{DDUV-}	-	10.3	10.9	11.5	V
	V _{BSUV-}					
V _{DD} and V _{BS} supply undervoltage hysteresis	V _{DDUVH}	-	0.14	0.2	-	V
	V _{BSUVH}					
Quiescent V _{DD} supply current	I _{QDD}	Fig.4	-	2.0	4.0	mA
Quiescent V _{BS} supply current	I _{QBS}		-	0.08	0.4	mA
Input section						
Logic low input voltage	V _{INL}	-	-	-	0.8	V
Logic high input voltage	V _{INH}	-	2.5	-	-	V
Logic 0 input leakage current	I _{IN+}	-	76	118	160	μA
Logic 1 input leakage current	I _{IN-}	-	97	150	203	μA
ITRIP threshold voltage(OUT=LO or OUT=HI)	V _{ITRIP}	-	3.67	4.17	4.67	V
Dynamic section						
Dead time(Internal dead time injected by driver)	DT	-	220	300	380	ns
ITRIP to shutdown propagation delay	t _{ITRIP}	-	1.0	1.2	1.4	μs
ITRIP blanking time	t _{ITRIBL}	-	-	0.9	-	μs

Reference voltage is "V_{SS}" terminal voltage unless otherwise specified.

STK544UC62K-E

Switching Characteristics at $T_c = 25^\circ\text{C}$, $V_{D1}, V_{D2}, V_{D3}, V_{D4} = 15\text{V}$

Parameter	Symbol	Conditions	Ratings			Unit
			min	typ	max	
Turn-on switching loss	E_{on}	$I_C=5\text{A}, V_+=400\text{V},$ $V_{DD}=15\text{V}, L=3.9\text{mH},$ $T_c=25^\circ\text{C}$	-	195	-	μJ
Turn-off switching loss	E_{off}		-	122	-	μJ
Total switching loss	E_{tot}		-	317	-	μJ
Turn-on switching loss	E_{on}	$I_C=5\text{A}, V_+=400\text{V}$ $V_{DD}=15\text{V}, L=3.9\text{mH},$ $T_c=100^\circ\text{C}$	-	224	-	μJ
Turn-off switching loss	E_{off}		-	186	-	μJ
Total switching loss	E_{tot}		-	410	-	μJ
Diode reverse recovery time	t_{rr}	$I_F=5\text{A}, V_+=400\text{V}, V_{DD}=15\text{V},$ $L=3.9\text{mH}, T_c=100^\circ\text{C}$	-	70	-	ns
Reverse bias safe operating area	RBSOA	$I_o=20\text{A}, V_{CE}=450\text{V}$	FULL SQUARE			-
Short circuit safe operating area	SCSOA	$V_{CE}=400\text{V}$	4	-	-	μs

$V_{DD}=V_{B1}=V_{B2}=V_{B3}=15\text{V}, V_{SS}=V_{S1}=V_{S2}=V_{S3}=0\text{V}$, outputs loaded with 1nF, all voltage are referenced to V_{SS} ; unless otherwise noted.

Internal NTC-Thermistor Characteristics

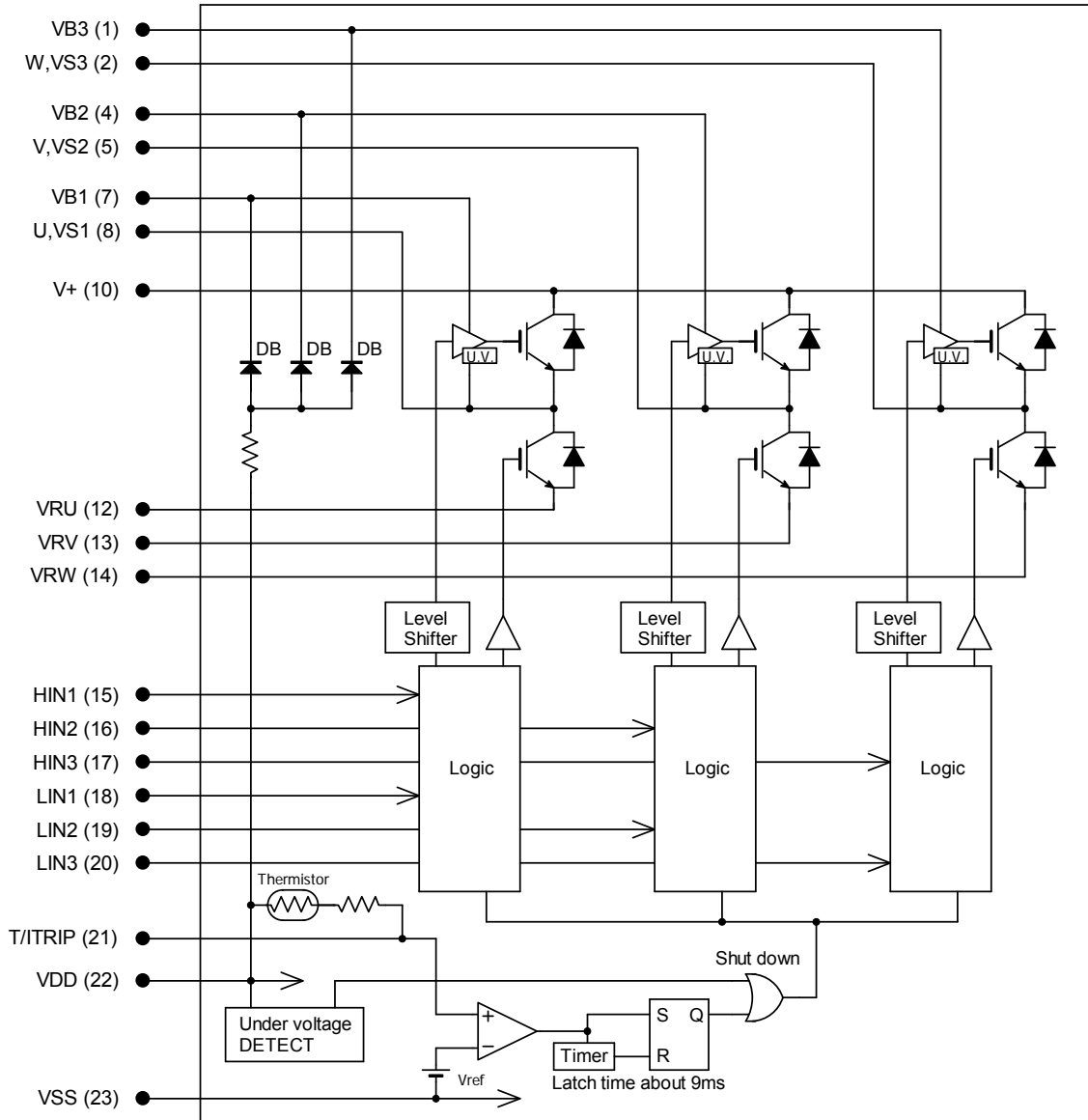
Parameter		Conditions	Typ.	Unit
R25	Resistance	$T_c=25^\circ\text{C}$	$100\pm 3\%$	$\text{k}\Omega$
R125	Resistance	$T_c=125^\circ\text{C}$	$2.522\pm 3\%$	$\text{k}\Omega$
B	B-Constant(25-50°C)	$R_2=R_1e^{[B(1/T_2-1/T_1)]}$	$4250\pm 1\%$	K
Temperature range		-	-40 to +125	$^\circ\text{C}$
Typ. Dissipation constant		$T_c=25^\circ\text{C}$	1	$\text{mW}/^\circ\text{C}$

Notes:

- The pre-drive power supply low voltage protection has approximately 200mV of hysteresis and operates as follows.
 - Upper side : The gate is turned off and will return to regular operation when recovering to the normal voltage, but the latch will continue till the input signal will turn 'high'.
 - Lower side : The gate is turned off and will automatically reset when recovering to normal voltage. It does not depend on input signal voltage.
- When assembling the IPM on the heat sink the tightening torque range is 0.6Nm to 0.9Nm.
- The pre-drive low voltage protection protects the device when the pre-drive supply voltage falls due to an operating malfunction.
- When use the over-current protection with external shunt resistor, please set the current protection level to be equal to or less than the rating of output peak current (I_{op}).

STK544UC62K-E

Equivalent Block Diagram



Module Pin-Out Description

Pin	Name	Description
1	VB3	High Side Floating Supply Voltage 3
2	W, VS3	Output 3, High Side Floating Supply Offset Voltage 3
3	-	Without pin
4	VB2	High Side Floating Supply Voltage 2
5	V, VS2	Output 2, High Side Floating Supply Offset Voltage 2
6	-	Without pin
7	VB1	High Side Floating Supply Voltage 1
8	U, VS1	Output 1, High Side Floating Supply Offset Voltage 1
9	-	Without pin
10	V+	Positive Bus Input Voltage
11	-	Without pin
-	-	-

Pin	Name	Description
12	VRU	Low Side Emitter Connection – Phase 1
13	VRV	Low Side Emitter Connection – Phase 2
14	VRW	Low Side Emitter Connection – Phase 3
15	HIN1	Logic Input High Side Gate Driver – Phase 1
16	HIN2	Logic Input High Side Gate Driver – Phase 2
17	HIN3	Logic Input High Side Gate Driver – Phase 3
18	LIN1	Logic Input Low Side Gate Driver – Phase 1
19	LIN2	Logic Input Low Side Gate Driver – Phase 2
20	LIN3	Logic Input Low Side Gate Driver – Phase 3
21	T/Itrip	Temperature Monitor and Shut-down Pin
22	VDD	+15V Main Supply
23	VSS	Negative Main Supply

Test Circuit

The tested phase U+ shows the upper side of the U phase and U- shows the lower side of the U phase.

■ $I_{CE} / I_{R(BD)}$

	U+	V+	W+	U-	V-	W-
M	10	10	10	8	5	2
N	8	5	2	12	13	14

	U(BD)	V(BD)	W(BD)
M	7	4	1
N	23	23	23

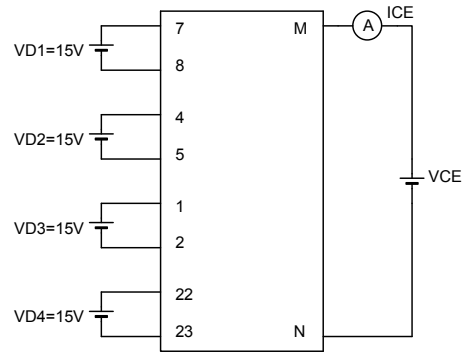


Fig. 1

■ $V_{CE(SAT)}$ (test by pulse)

	U+	V+	W+	U-	V-	W-
M	10	10	10	8	5	2
N	8	5	2	12	13	14
m	15	16	17	18	19	20

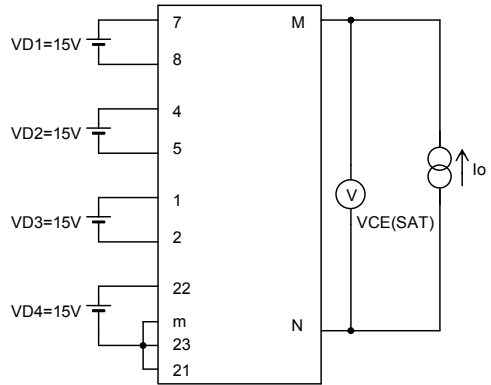


Fig. 2

■ V_F (test by pulse)

	U+	V+	W+	U-	V-	W-
M	10	10	10	8	5	2
N	8	5	2	12	13	14

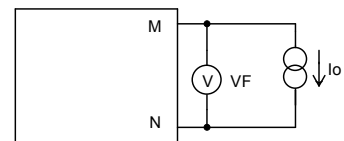


Fig. 3

■ I_D

	VD1	VD2	VD3	VD4
M	7	4	1	22
N	8	5	2	23

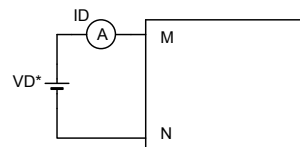


Fig. 4

STK544UC62K-E

- Switching time (The circuit is a representative example of the lower side U phase.)

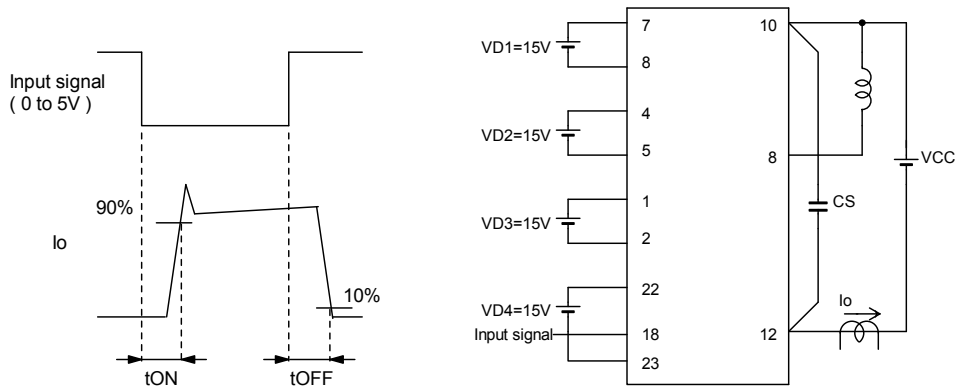


Fig. 5

- RB-SOA (The circuit is a representative example of the lower side U phase.)

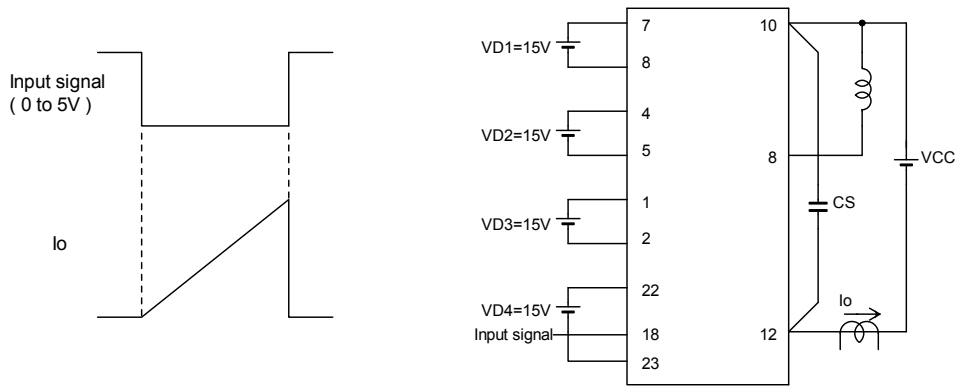


Fig. 6

Input / Output Timing Diagram

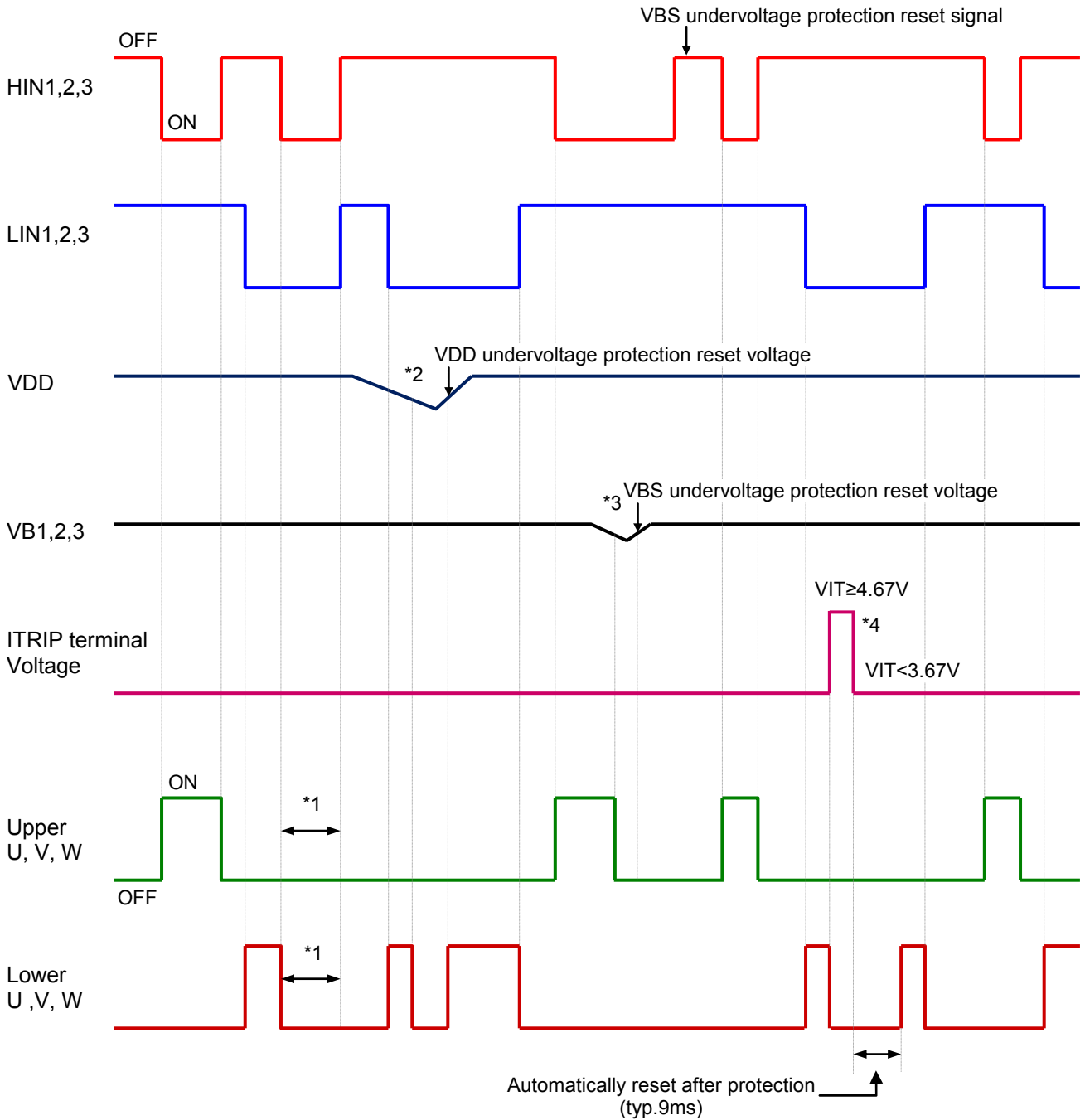


Fig. 7

Notes:

- *1 shows the prevention of shoot-through via control logic, however, more dead time must be added to account for switching delay externally.
- *2 when VDD decreases all gate output signals will go low and cut off all 6 IGBT outputs. When VDD rises the operation will resume immediately.
- *3 when the upper side voltage at VB1, VB2 and VB3 drops only the corresponding upper side output is turned off. The outputs return to normal operation immediately after the upper side gate voltage rises.
- *4 when VITRIP exceeds threshold all IGBT's are turned off and normal operation resumes 9ms (typ) after over current condition is removed.

Logic level table

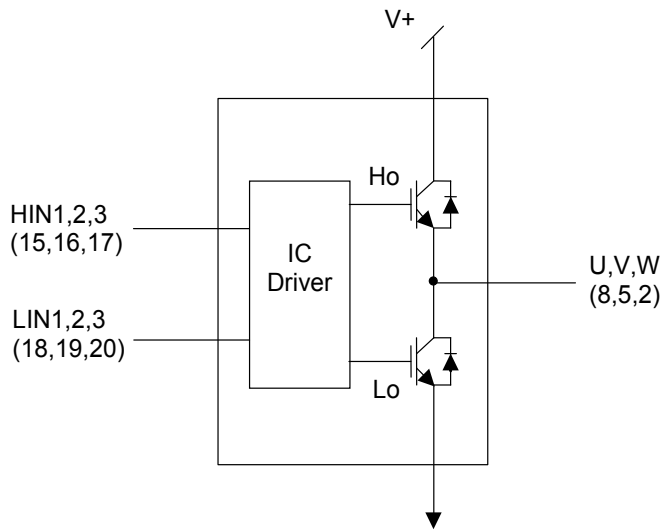
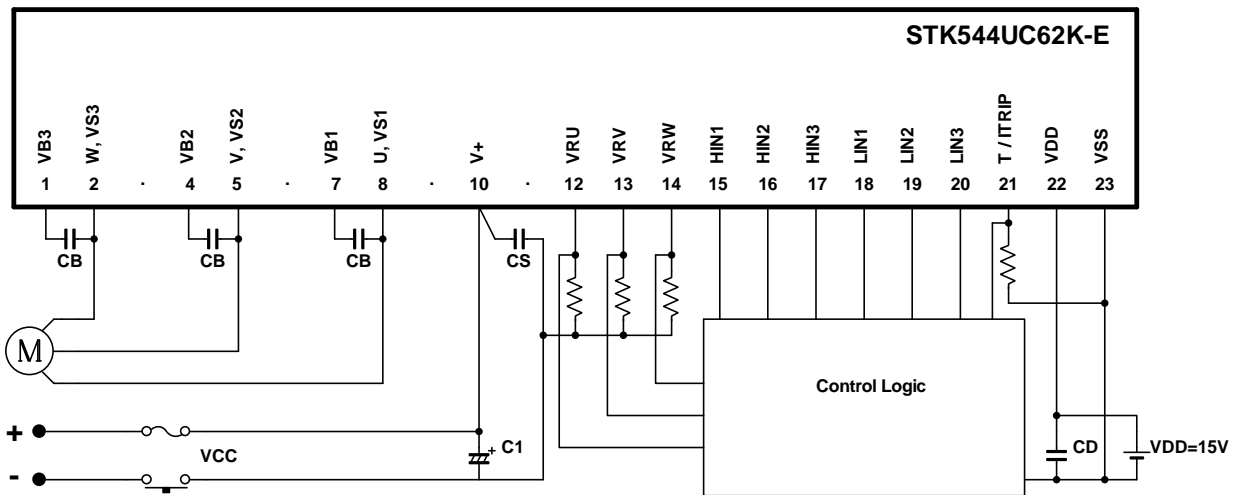


Fig. 8

Itrip	HIN1,2,3	LIN1,2,3	U,V,W
0	0	1	V+
0	1	0	0
0	1	1	X
1	X	X	X

STK544UC62K-E

Sample Application Circuit



Recommended Operating Conditions at $T_c = 25^\circ\text{C}$

Item	Symbol	Conditions	Ratings			Unit
			min	typ	max	
Supply voltage	V_{CC}	Between V_+ to $VRU(VRV,VRW)$	0	280	450	V
Pre-driver supply voltage	$VD_{1,2,3}$	Between VB_1 to U, VB_2 to V, VB_3 to W	12.5	15	17.5	V
	VD_4	Between V_{DD} to V_{SS} *1	13.5	15	16.5	
ON-state input voltage	$V_{IN(ON)}$	$HIN_1, HIN_2, HIN_3, LIN_1, LIN_2, LIN_3$ terminal	0	-	0.3	V
OFF-state input voltage	$V_{IN(OFF)}$		3.0	-	5.0	
PWM frequency	f_{PWM}	-	1	-	20	kHz
Dead time	DT	Turn-off to turn-on (External)	0.5	-	-	μs
Mounting torque	-	'M3' type screw	0.6	-	0.9	Nm

*1 Pre-drive power supply ($VD_4=15\pm 1.5\text{V}$) must have the capacity of $I_o=20\text{mA(DC)}, 0.5\text{A(Peak)}$.

Functional operation above the stresses listed in the Recommended Operating Ranges is not implied. Extended exposure to stresses beyond the Recommended Operating Ranges limits may affect device reliability.

Usage Precaution

- This IPM includes internal bootstrap diode and resistor. By adding a capacitor CB, a single high side drive voltage is generated; each phase requires an individual bootstrap capacitor. The recommended value of CB is in the range of 1 to $47\mu\text{F}$, however, this value needs to be verified prior to production. When not using the bootstrap circuit, each upper side pre-drive power supply requires an external independent power supply.
- It is essential that wiring length between terminals in the snubber circuit be kept as short as possible to reduce the effect of surge voltages. Recommended value of CS is in the range of 0.1 to $10\mu\text{F}$.
- $VRU, VRV,$ and VRW terminals are direct outputs of the emitter line of the each lower phase IGBT and can be used to monitor each phase's or collective current with external resistors. IF current is not monitored, each resistor should be short-circuited.
- Disconnection of terminals U, V, or W during normal motor operation will cause damage to IPM, use caution with this connection.
- Zener diode with 10V is connected with the inside of the signal input terminal. When inputting voltage which exceeds 5V, connect resistor between the side of the power and the signal input terminal, for the input current of the signal input terminal become equal to or less than 0.5mA. This resistor is effective with the noise absorption of the signal terminal, too.
- A fuse on V_{CC} is recommended.
- Inside the IPM, a thermistor used as the temperature monitor is connected between V_{DD} terminal and T/ITRIP terminal, therefore, an external pull down resistor connected between the T/ITRIP terminal and V_{SS} terminal should be used. The temperature monitor example application is as follows, please refer the Fig.10, Fig.11, and Fig.12 below.
- All data shown implements an example of the application circuit but does not guarantee a design for the mass production.

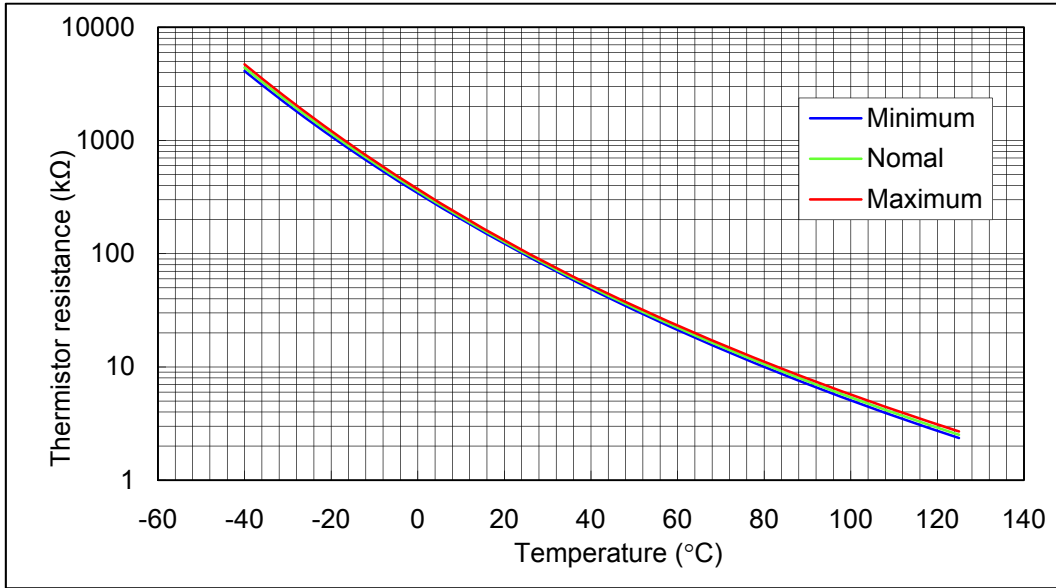


Fig. 10 Variation of thermistor resistance with temperature

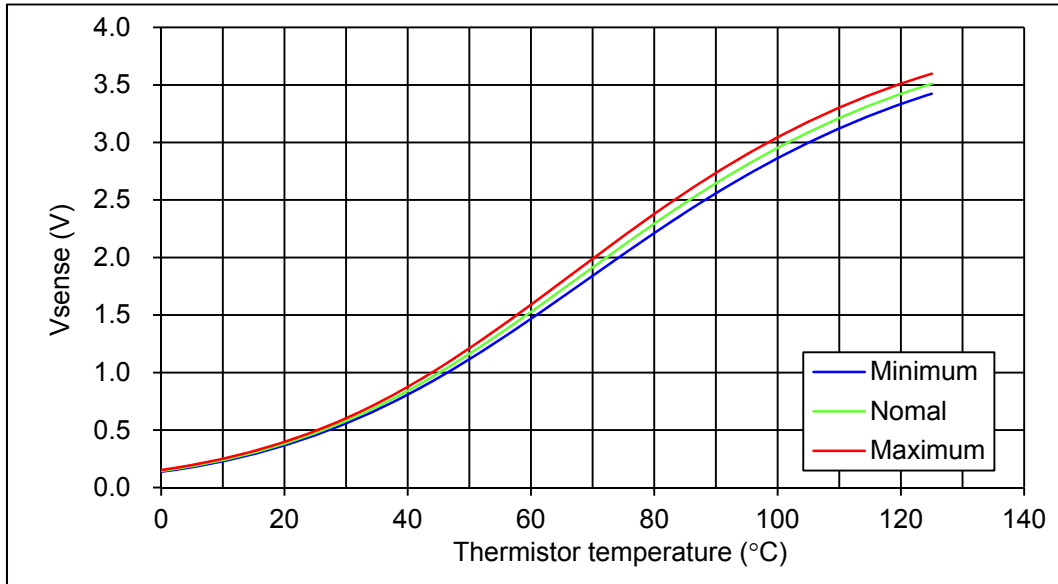


Fig. 11 Variation of temperature sense voltage with thermistor temperature by using external bias resistance of $4.3\text{k}\Omega \pm 1\%$ and $V_{DD}=15\text{V}$

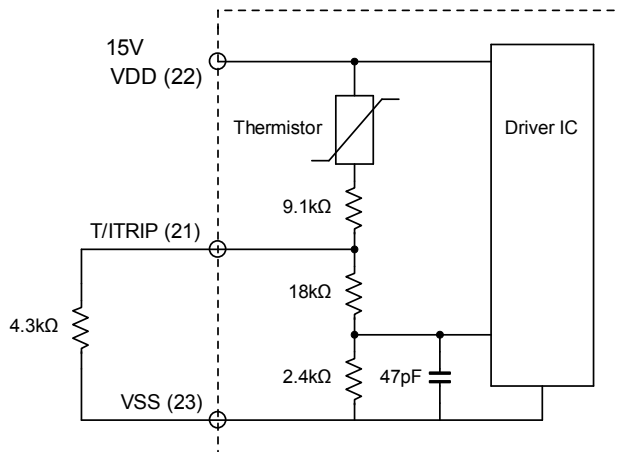


Fig. 12 Sample application circuit for temperature monitoring

The characteristic of PWM switching frequency

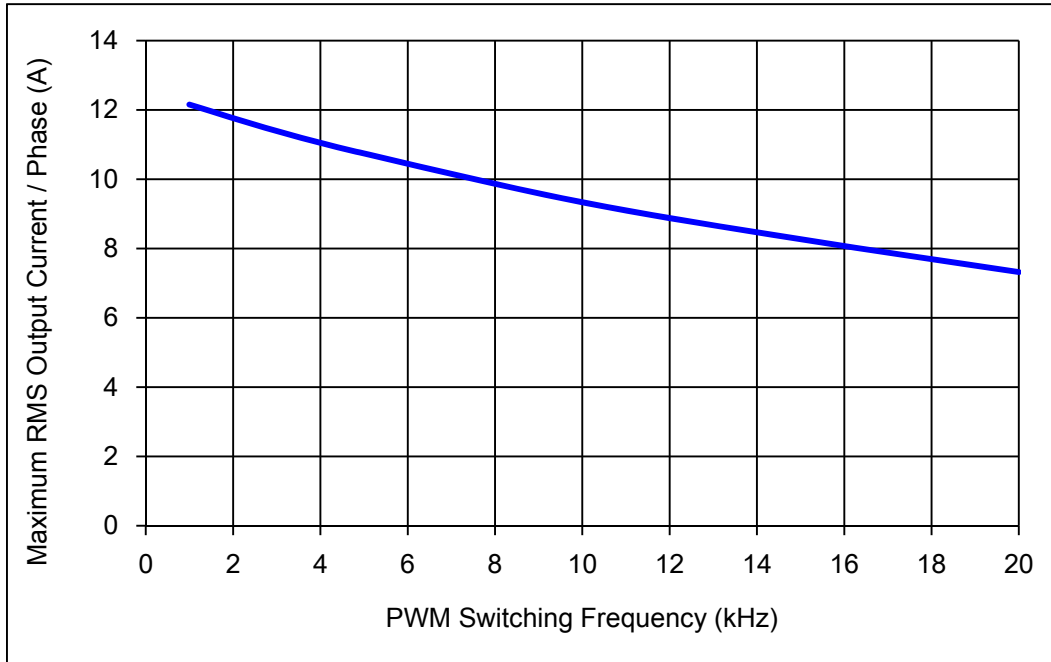


Fig. 13 Maximum sinusoidal phase current as function of switching frequency at $T_c=100^{\circ}\text{C}$, $V_{CC}=400\text{V}$

Switching waveform

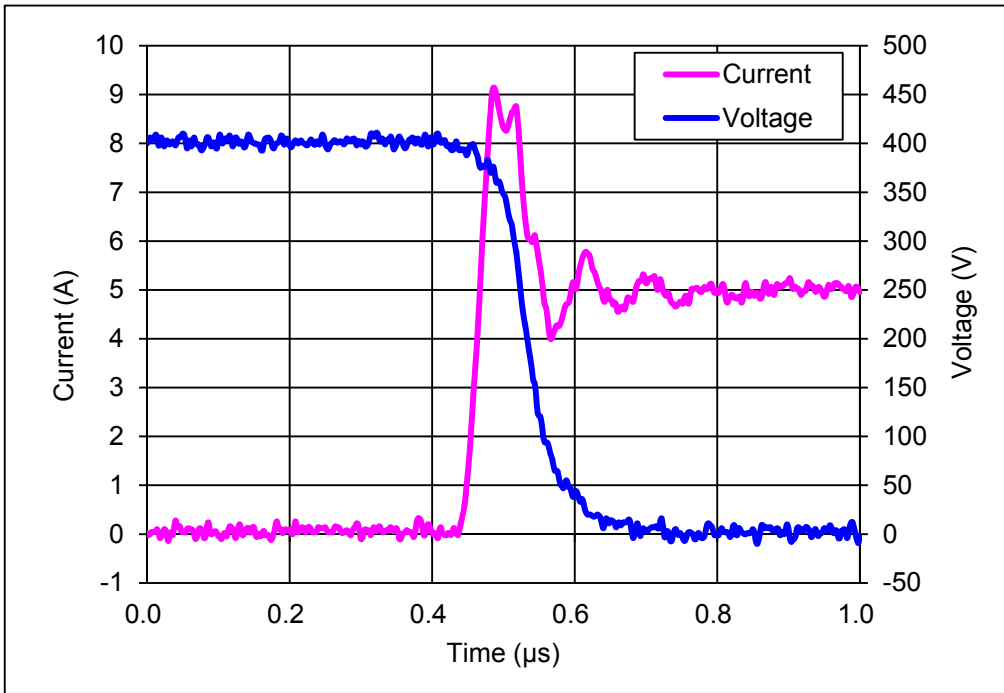


Fig. 14 IGBT Turn-on. Typical turn-on waveform at $T_c=100^{\circ}\text{C}$, $V_{CC}=400\text{V}$

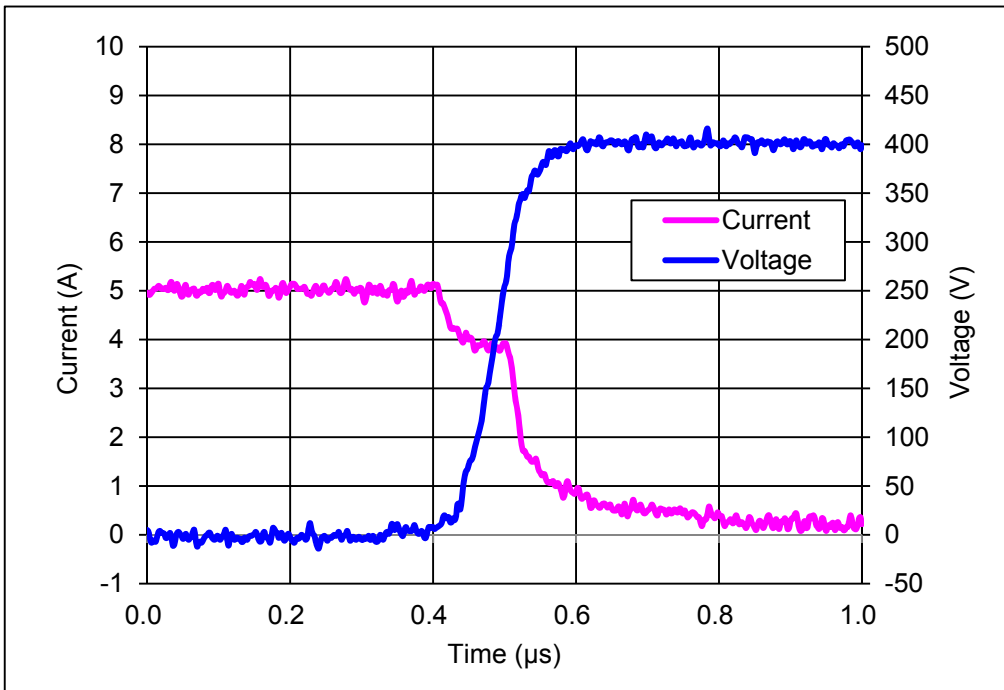


Fig. 15 IGBT Turn-off. Typical turn-off waveform at $T_c=100^{\circ}\text{C}$, $V_{CC}=400\text{V}$

CB capacitor value calculation for bootstrap circuit

Calculate conditions

Parameter	Symbol	Value	Unit
Upper side power supply.	VBS	15	V
Total gate charge of output power IGBT at 15V.	QG	89	nC
Upper limit power supply low voltage protection.	UVLO	12	V
Upper side power dissipation.	IDMAX	95	μA
ON time required for CB voltage to fall from 15V to UVLO	TONMAX	-	S

Capacitance calculation formula

Thus, the following formula are true
 $VBS \times CB - QG - IDMAX \times TONMAX = UVLO \times CB$
 therefore,
 $CB = (QG + IDMAX \times TONMAX) / (VBS - UVLO)$

The relationship between TONMAX and CB becomes as follows. CB is recommended to be approximately 3 times the value calculated above. The recommended value of CB is in the range of 1 to 47μF, however, this value needs to be verified prior to production.

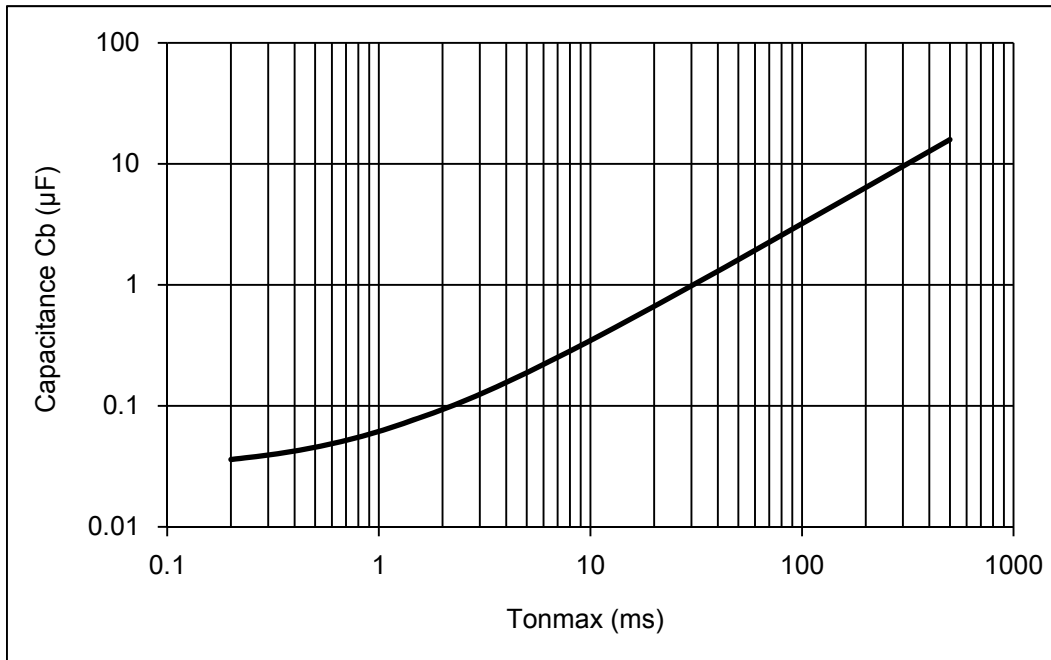


Fig. 16 TONMAX vs CB characteristic

STK544UC62K-E

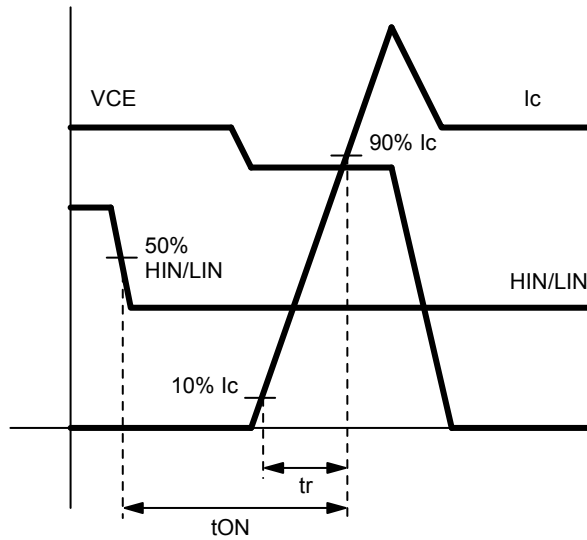


Fig. 17a Input to output propagation turn-on delay time

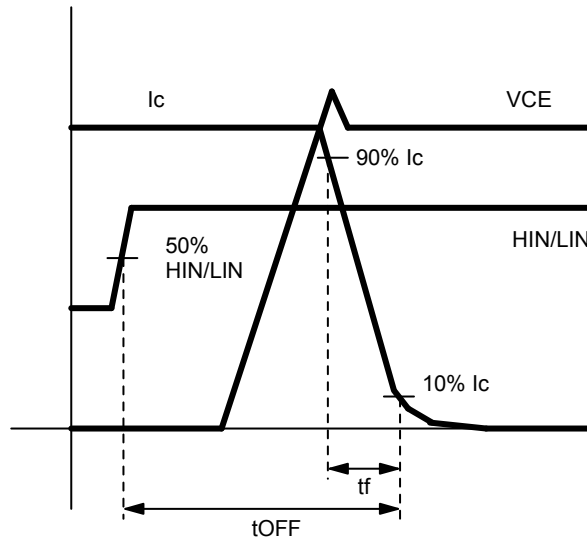


Fig. 17b Input to output propagation turn-off delay time

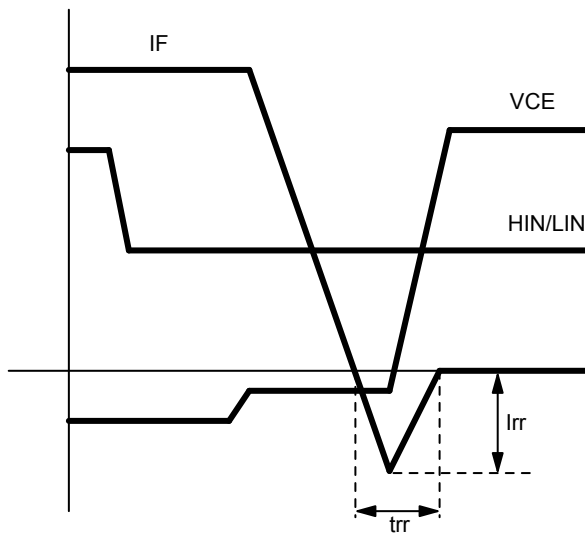
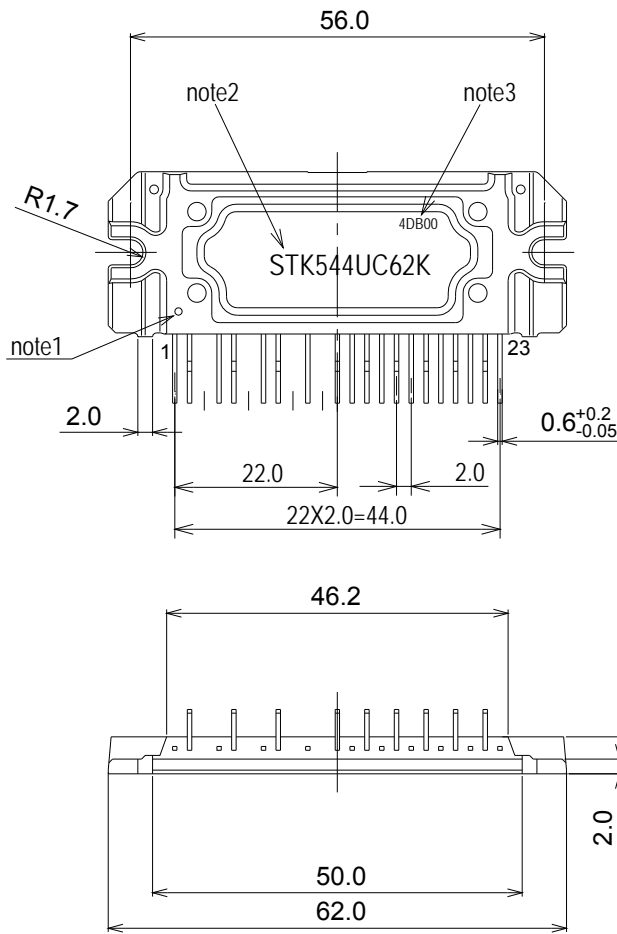


Fig. 17c Diode reverse recovery

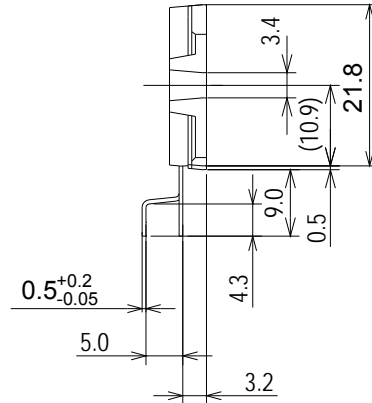
STK544UC62K-E

Package Dimensions

unit : mm



missing pin ;3,6,9,11



- note1 : Mark for No.1 pin identification.
- note2 : The form of a character in this drawing differs from that of IPM.
- note3 : This indicates the lot code.
The form of a character in this drawing differs from that of IPM.

The tolerances of length are +/- 0.5mm unless otherwise specified.

ORDERING INFORMATION

Device	Package	Shipping (Qty / Packing)
STK544UC62K-E	SIP23 (Pb-Free)	8 / Tube

ON Semiconductor and the ON logo are registered trademarks of Semiconductor Components Industries, LLC (SCILLC) or its subsidiaries in the United States and/or other countries. SCILLC owns the rights to a number of patents, trademarks, copyrights, trade secrets, and other intellectual property. A listing of SCILLC's product/patent coverage may be accessed at www.onsemi.com/site/pdf/Patent-Marking.pdf. SCILLC reserves the right to make changes without further notice to any products herein. SCILLC makes no warranty, representation or guarantee regarding the suitability of its products for any particular purpose, nor does SCILLC assume any liability arising out of the application or use of any product or circuit, and specifically disclaims any and all liability, including without limitation special, consequential or incidental damages. "Typical" parameters which may be provided in SCILLC data sheets and/or specifications can and do vary in different applications and actual performance may vary over time. All operating parameters, including "Typicals" must be validated for each customer application by customer's technical experts. SCILLC does not convey any license under its patent rights nor the rights of others. SCILLC products are not designed, intended, or authorized for use as components in systems intended for surgical implant into the body, or other applications intended to support or sustain life, or for any other application in which the failure of the SCILLC product could create a situation where personal injury or death may occur. Should Buyer purchase or use SCILLC products for any such unintended or unauthorized application, Buyer shall indemnify and hold SCILLC and its officers, employees, subsidiaries, affiliates, and distributors harmless against all claims, costs, damages, and expenses, and reasonable attorney fees arising out of, directly or indirectly, any claim of personal injury or death associated with such unintended or unauthorized use, even if such claim alleges that SCILLC was negligent regarding the design or manufacture of the part. SCILLC is an Equal Opportunity/Affirmative Action Employer. This literature is subject to all applicable copyright laws and is not for resale in any manner.