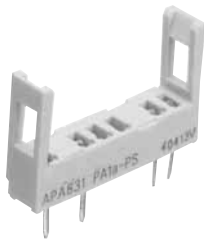


ACCESSORIES

PA RELAYS TERMINAL SOCKETS



Standard type terminal socket



Self-clinching type terminal socket

TYPES

Product name	Part No.
Standard type terminal socket	PA1a-PS
Self-clinching type terminal socket	PA1a-PS-H

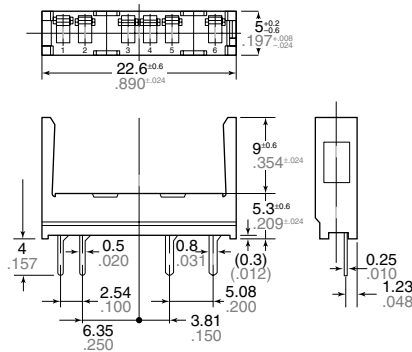
DIMENSIONS (mm inch)

The CAD data of the products with a **CAD Data** mark can be downloaded from: <http://industrial.panasonic.com/ac/e/>

Standard type terminal socket

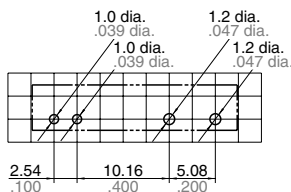
CAD Data

External dimensions



General tolerance: $\pm 0.3 \pm 0.12$

PC board pattern (Bottom view)

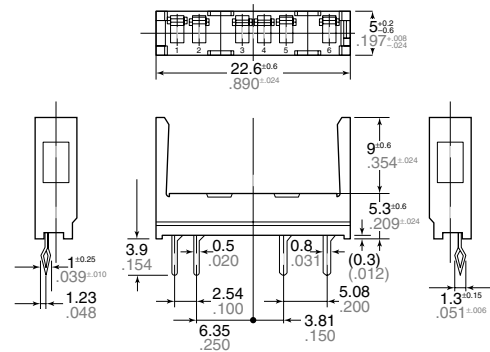


Tolerance: $\pm 0.1 \pm 0.04$

Self-clinching type terminal socket

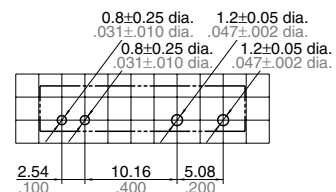
CAD Data

External dimensions



General tolerance: $\pm 0.3 \pm 0.12$

PC board pattern (Bottom view)



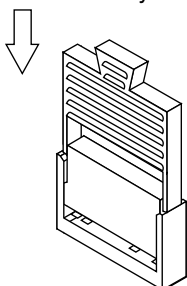
Tolerance: $\pm 0.1 \pm 0.04$

INSTALLING AND REMOVING

Installing and removing the relay

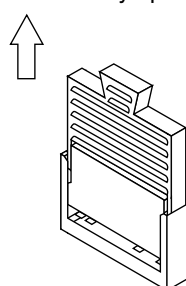
1) Firmly insert the relay into the socket with the terminals going in the direction of the blade receptacles.

(1) Insert the removal key into the socket slots.



2) The relay can be easily removed using the removal key (APA801).

(2) Pull the removal key up to remove the relay.



(3) Slide the removal key off of the relay.

