

Round Type

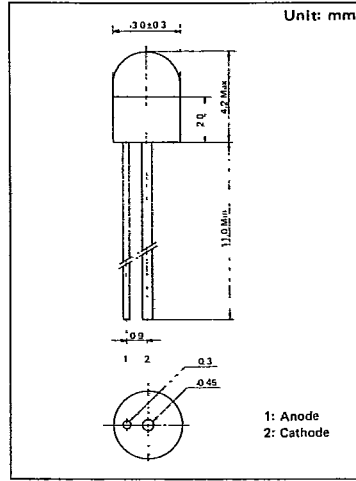
T-41-21

Mini T-1 Series

- Characteristics: 1. Lighting surface T-1 round type
 2. High radiation
 3. High reliability, long life

Absolute Maximum Ratings (Ta = 25°C)

Lighting Color	P _O (mW)	I _F (mA)	I _{FM} (mA)	V _R (V)	T _{opr} (°C)	T _{stg} (°C)
Red	55	20	25	4	-25~+85	-30~+100
Green	90	30	40	4	-25~+85	-30~+100
Amber	90	30	40	4	-25~+85	-30~+100



Electro-Optical Characteristics (Ta = 25°C)

Type No.	Lens Color	I _O			V _F		λ _P	Δλ _P	I _F	I _R	
		Typ.	Min.	I _F	Typ.	Max.	Typ.	Typ.		Max.	V _R
LN23SCP(H)	Clear	1.3	0.8	15	2.2	2.8	700	100	20	5	4
LN33SCP(H)	Green Clear	3.0	2.0	20	2.2	2.8	565	30	20	10	4
LN43SCP(H)	Clear	3.0	2.0	20	2.2	2.8	590	30	20	10	4
Unit		mod	mod	mA	V	V	nm	nm	mA	μA	V

