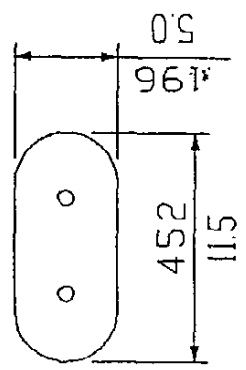
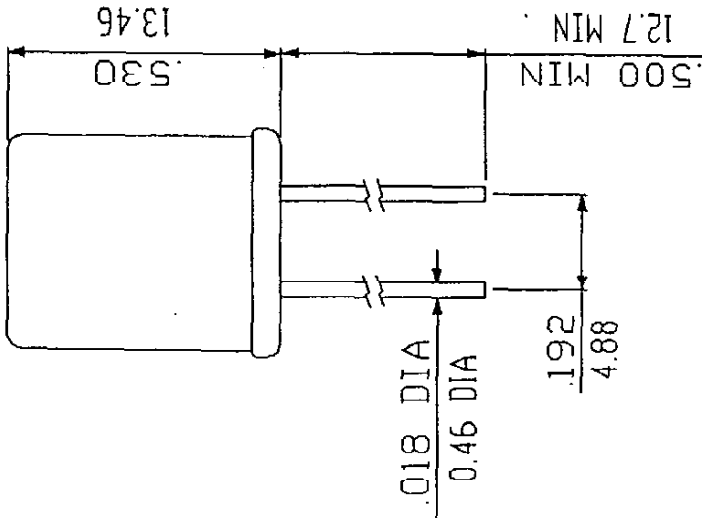


# SPECIFICATIONS

FREQUENCY: 8.192 MHZ  
 FREQUENCY TOLERANCE:  $\pm 30$  PPM AT  $+25^{\circ}\text{C}$   
                                    $\pm 50$  PPM AT  $0^{\circ}\text{C}$  TO  $+70^{\circ}\text{C}$   
 PARALLEL RESONANCE, NOMINAL LOAD: 17.5 PF  
 PULLABILITY: 100 PF TO 17.5 PF:  $+175$  PPM TO  $+250$  PPM  
 PULLABILITY: 17.5 PF TO 45.0 PF:  $-175$  PPM TO  $-250$  PPM  
 ESR: 30 OHMS MAX  
 DRIVE: 1 MW MAX  
 CUT: AT  
 MODE: FUNDAMENTAL  
 HOLDER: HC-49/U

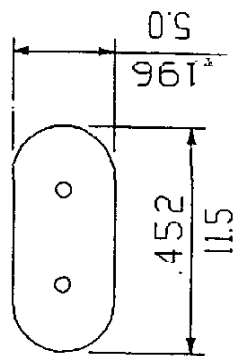
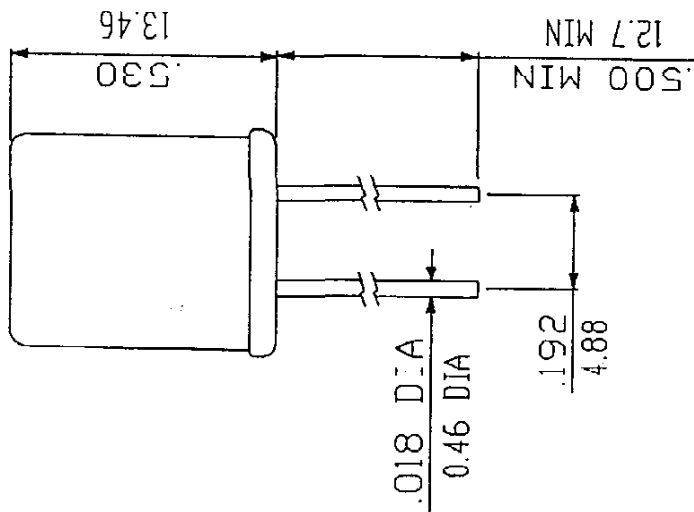


<b>RALTRON</b> 2315 N.W. 107 TH AVE MIAMI, FL 33172 <small>ALL DIMENSIONS ARE IN THOUS/TH UNLESS OTHERWISE SPECIFIED TOLERANCE ADDO THOUS / .5 MM</small> DRAWN BY: D. A. FERNANDEZ CHECKED BY: APPROVED BY: SEAL: 3/1   SHEET 1 OF 1   DATE: 07-04-95	DRAWING TITLE <b>CRYSTAL SPECIFICATION FOR DALLAS SEMICONDUCTOR, E1 CHIP SET</b> PART NUMBER <b>A-8192-18.5-DS</b> REV. <b>A</b>
---	---

GAGE CODE  
**OVUEO**

# SPECIFICATIONS

FREQUENCY: 6.176 MHZ  
 FREQUENCY TOLERANCE:  $\pm 30$  PPM AT  $+25^{\circ}\text{C}$   
 $\pm 50$  PPM AT  $0^{\circ}\text{C}$  TO  $+70^{\circ}\text{C}$   
 PARALLEL RESONANCE, NOMINAL LOAD: 19.0 PF  
 PULLABILITY, 10.0 PF TO 19.0 PF:  $+175$  PPM TO  $+250$  PPM  
 PULLABILITY, 19.0 PF TO 45.0 PF:  $-175$  PPM TO  $-250$  PPM  
 ESR: 40 OHMS MAX  
 DRIVE: 1 MV MAX  
 CUT: AT  
 MODE: FUNDAMENTAL  
 HOLDER: HC-49/U



DRAWING TITLE

CRYSTAL SPECIFICATION FOR  
 DALLAS SEMICONDUCTOR,  
 TI CHIP SET

**RALTRON**

2315 N.W. 107 TH AVE  
 MIAMI, FL 33172

ALL DIMENSIONS ARE IN INCHES/PH  
 UNLESS OTHERWISE SPECIFIED

TOLERANCE: .020 INCHES / .5 MM

DRAWN BY: D A FERNANDEZ

CHECKED BY:

APPROVED BY:

SCALE: 3/4" SHEET 1 OF 1 DATE: 07-06-95

CASE CODE

OVUEO

PART NUMBER

A-6.176-185-DS

REV

A