

# 0,80mm DIFFERENTIAL PAIR QTE-DP SERIES

## SPECIFICATIONS

For complete specifications see [www.samtec.com?QTE-DP](http://www.samtec.com?QTE-DP)

**Insulator Material:**  
Liquid Crystal Polymer  
**Terminal Material:**  
Phosphor Bronze  
**Plating:**  
Au over 50µ" (1,27µm) Ni  
**Current Rating:**  
Contacts: 2A @ 80°C  
Ground Plane: 9.5A @ 80°C  
**Operating Temp Range:**  
-55°C to +125°C  
**Voltage Rating:**  
225 VAC mated with QSE-DP & 5mm Stack Height



Mates with:  
QSE-DP

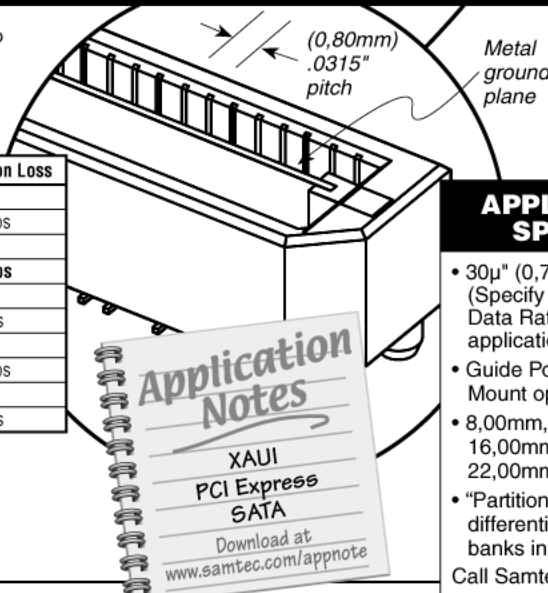


0,80mm QTE/QSE-DP	Rated @ -3dB Insertion Loss
<b>5mm Stack Height</b>	
Differential Pair Signaling	8.5 GHz / 17 Gbps
<b>11mm Stack Height</b>	
Differential Pair Signaling	9.5 GHz / 19 Gbps
<b>16mm Stack Height</b>	
Differential Pair Signaling	8 GHz / 16 Gbps
<b>19mm Stack Height</b>	
Differential Pair Signaling	7.5 GHz / 15 Gbps
<b>25mm Stack Height</b>	
Differential Pair Signaling	9 GHz / 18 Gbps

## STACK HEIGHT

QTE-DP LEAD STYLE	HEIGHT WITH QSE-DP
-01	(5,00) .198

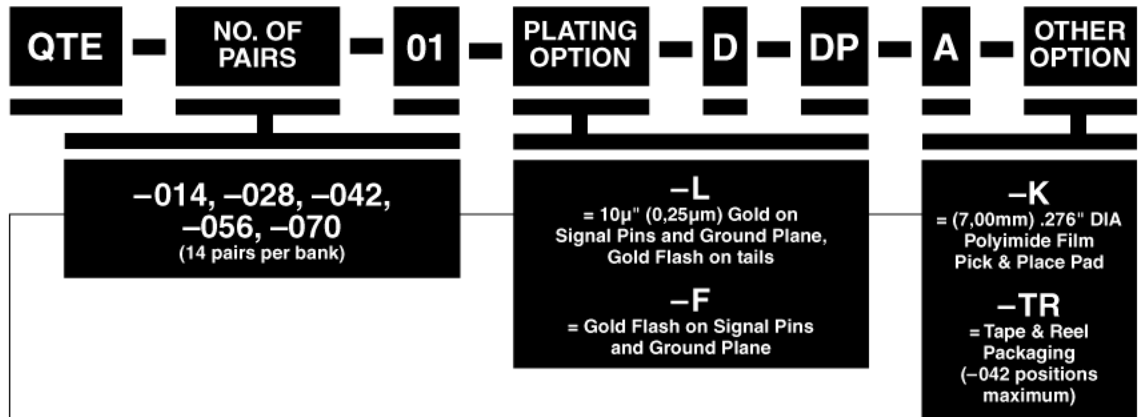
Processing conditions will affect mated height.



## APPLICATION SPECIFIC

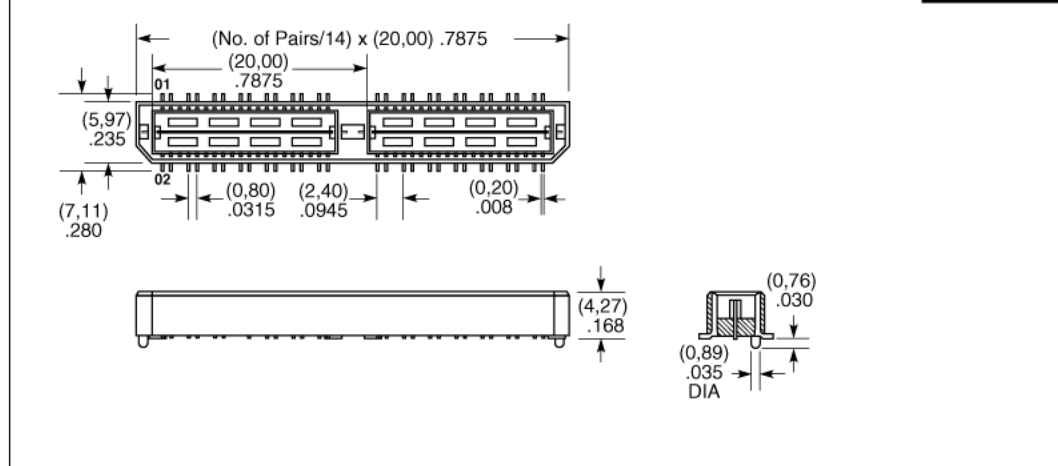
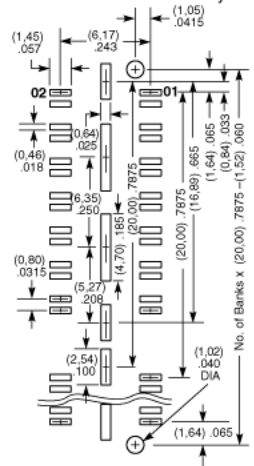
- 30µ" (0,76µm) Gold (Specify -H plating for Data Rate cable applications)
- Guide Posts and Edge Mount options
- 8,00mm, 11,00mm, 16,00mm, 19,00mm and 22,00mm stack height
- "Partitionable"-combine differential & single-ended banks in same connector Call Samtec.

**Note:** Some lengths, styles and options are non-standard, non-returnable.



## Processing:

**Max Processing Temp:**  
230°C for 60 seconds, or  
260°C for 20 seconds 3x  
**Lead-Free Solderable:**  
Yes  
**SMT Lead Coplanarity:**  
(0,10mm) .004" max (014-042)  
(0,15mm) .006" max (056-070)  
**Board Stacking:**  
For applications requiring more than two connectors per board, contact [ipg@samtec.com](mailto:ipg@samtec.com)  
**Suggested PCB Layouts:**  
For reference only. Go to [www.samtec.com?QTE-DP](http://www.samtec.com?QTE-DP) for recommended PCB layout.



Due to technical progress, all designs, specifications and components are subject to change without notice.

[WWW.SAMTEC.COM](http://WWW.SAMTEC.COM)