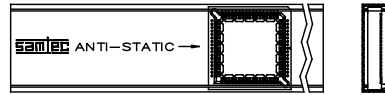


REVISION AK

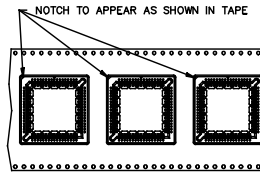
DO NOT SCALE FROM THIS PRINT

-A:
ALIGNMENT PIN

-N:
NO ALIGNMENT PIN



POSITION PARTS IN TUBE WITH THE LOGO'S ARROW POINTING TOWARD THE FIRST POSITION INDICATOR AS SHOWN ABOVE



PARTS TO BE POSITIONED IN TAPE AS SHOWN

DIMENSIONS ARE IN INCHES		UNLESS OTHERWISE NOTED		TOLERANCES ARE:		TITLE:	DWG NO:
ONE PLACE DECIMALS ± .1 [3]	THREE PLACE DECIMALS ± .005 [1.3]	ANGLES ± 2°		TWO PLACE DECIMALS ± .01 [3]		PLCC ASM.	PLCC-0XX-XX-X-XX
						SHEET 1 OF 1	

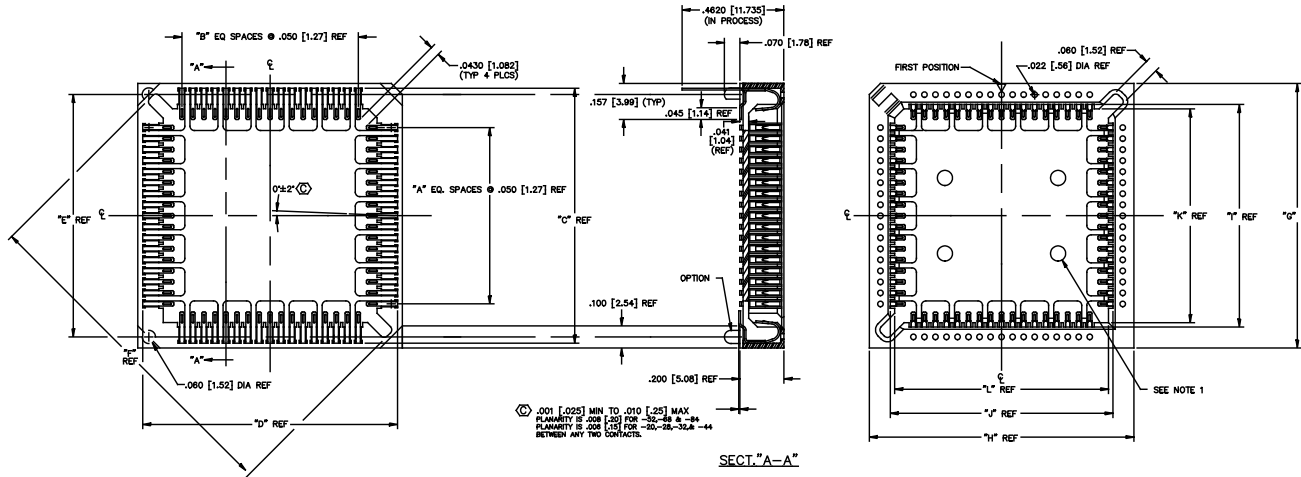
PLCC-0XX-XX-X-XX

POSITION SPEC. (SEE TABLE 1 "XX")

PACKAGING OPTION
BLANK = PACKAGING TUBE (SEE PACKAGE TUBE SPEC.)
-TR = TAPE AND REEL (SEE TAPE & REEL SPECS.)

OPTION
-A: ALIGNMENT PIN (SPECIFY -A IN BODY SPEC. -X IN TABLE 1)
-N: NO ALIGNMENT PIN (SPECIFY -N IN BODY SPEC. -X IN TABLE 1)

PLATING SPEC.
-T: TIN (SEE TABLE 1 "CONTACT")
-F: FLASH GOLD SELECTIVE (SEE TABLE 1 "CONTACT")
-TM: MATTE TIN (SEE TABLE 1 "CONTACT") (SEE TABLE 1 "CONTACT")
-FM: FLASH GOLD SELECTIVE, MATTE TIN TAIL (SEE TABLE 1 "CONTACT")



- NOTES:
- .0400 [1.016] DIA X .030 [.76] HIGH STANDOFFS ON -32 POSITION ONLY (TYP 4 PLCS)
 - ⊙ REPRESENTS A CRITICAL DIM.

"XX"	BODY SPEC.	TUBE SPEC.	PLUG SPEC.	"A"	"B"	"C"	"D"	"E"	"F"	"G"	"H"	"I"	"J"	"K"	"L"	CONTACT
20	PLCC-20-X	PT-1-24-06-51	TP-13	04	04	.555 [14.10]	.555 [14.10]	.500 [12.70]	.675 [17.15]	.600 [15.24]	.600 [15.24]	.410 [10.41]	.410 [10.41]	.370 [9.40]	.370 [9.40]	C-46-XX
28	PLCC-28-X	PT-1-24-01-51	TP-13	06	06	.655 [16.64]	.655 [16.64]	.600 [15.24]	.818 [20.78]	.700 [17.78]	.700 [17.78]	.510 [12.95]	.510 [12.95]	.470 [11.94]	.470 [11.94]	C-46-XX
32	PLCC-32-X	PT-1-24-01-51	TP-13	08	06	.755 [19.18]	.655 [16.64]	.700 [17.78]	.890 [22.61]	.800 [20.32]	.700 [17.78]	.610 [15.49]	.510 [12.95]	.570 [14.48]	.470 [11.94]	C-46-XX
44	PLCC-44-X	PT-1-24-02-51	TP-13	10	10	.855 [21.72]	.855 [21.72]	.800 [20.32]	1.100 [27.94]	.900 [22.86]	.900 [22.86]	.710 [18.03]	.710 [18.03]	.670 [17.02]	.670 [17.02]	C-46-XX
52	PLCC-52-X	PT-1-24-03-51	TP-13	12	12	.955 [24.26]	.955 [24.26]	.900 [22.86]	1.242 [31.55]	1.000 [25.40]	1.000 [25.40]	.810 [20.57]	.810 [20.57]	.770 [19.56]	.770 [19.56]	C-46-XX
68	PLCC-68-X	PT-1-24-04-51	TP-13	16	16	1.155 [29.34]	1.155 [29.34]	1.100 [27.94]	1.525 [38.74]	1.200 [30.48]	1.200 [30.48]	1.010 [25.65]	1.010 [25.65]	.970 [24.64]	.970 [24.64]	C-46-XX
84	PLCC-84-X	PT-1-24-05-51	TP-25	20	20	1.355 [34.42]	1.355 [34.42]	1.300 [33.02]	1.808 [45.92]	1.400 [35.56]	1.400 [35.56]	1.210 [30.73]	1.210 [30.73]	1.170 [29.72]	1.170 [29.72]	C-46-XX

PROPRIETARY NOTE
THIS DOCUMENT CONTAINS INFORMATION CONFIDENTIAL AND PROPRIETARY TO SAMTEC INC. AND SHALL NOT BE REPRODUCED OR TRANSFERRED TO OTHER DOCUMENTS OR DISCLOSED TO OTHERS OR USED FOR ANY PURPOSE OTHER THAN THAT FOR WHICH IT WAS OBTAINED WITHOUT THE EXPRESSED WRITTEN CONSENT OF SAMTEC INC.

MATERIAL:
CELANESE, VECTRA E130
UL RATED 94V-0,
COLOR: BLACK
25% MAXIMUM REGRIND
CONTACT:
BeCu 172 SHM TEMPER

samtec
820 PARK EAST BLVD. NEW ALBANY, INDIANA 47150
PHONE (812) 944-6733 P.O. BOX 1147
CODE 55322

MADE BY: KOLB 5-18-89
PLCC-0XX-XX-X-XX
SHEET 1 OF 1