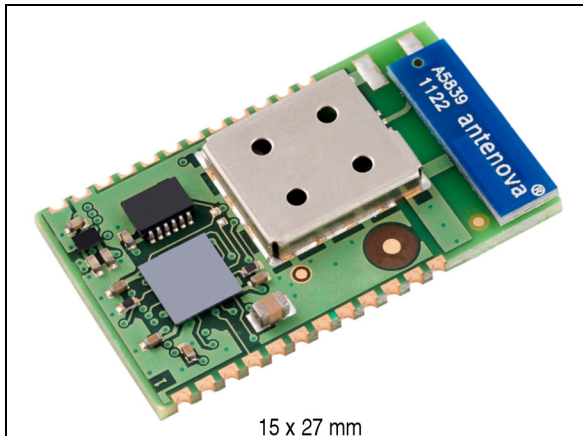


**Bluetooth® technology class-1 module**

Datasheet - production data

**Features**

- Bluetooth radio
  - Fully embedded Bluetooth® v3.0 with profiles
  - Class 1 module
  - Complete RF ready module
  - 128-bit encryption security
  - Range up to 60 m LOS
  - Integrated antenna
  - Multipoint capability
- ST Micro Cortex-M3 microprocessor up to 72 MHz (256kb flash, 48kb RAM memory)
- Modem transmitter speed
  - With SPP service active: 560kbps transmission speed
- General I/O
  - 16 general purpose I/Os
- User interface
  - AT2 command set (abSerial)
  - Firmware upgrade over UART
- FCC and Bluetooth® qualified
- Single voltage supply: 2.5 V typical
- Small form factor: 15 x 27 x 2.9 mm
- Operating temperature range: -40 °C to 85 °C

# Contents

<b>1</b>	<b>Description</b> .....	<b>4</b>
<b>2</b>	<b>RoHS compliance</b> .....	<b>5</b>
<b>3</b>	<b>Applications</b> .....	<b>5</b>
<b>4</b>	<b>Software architecture</b> .....	<b>6</b>
	4.1 Lower layer stack .....	6
	4.2 Upper layer stack: Amp'ed UP .....	6
	4.3 AT command set: abSerial .....	6
	4.4 Bluetooth firmware implantation .....	7
<b>5</b>	<b>Hardware specifications</b> .....	<b>8</b>
	5.1 Recommended operating conditions .....	8
	5.2 Absolute maximum ratings .....	8
	5.3 High speed mode CPU current consumption .....	8
	5.4 Standard CPU mode current consumption .....	9
	5.5 I/O operating characteristics .....	9
	5.6 Selected RF characteristics .....	10
	5.7 Pin assignment .....	10
	5.8 Mechanical dimensions .....	13
<b>6</b>	<b>Hardware block diagram</b> .....	<b>15</b>
<b>7</b>	<b>Hardware design</b> .....	<b>16</b>
	7.1 Module reflow installation .....	16
	7.2 GPIO interface .....	17
	7.3 GPIO configuration .....	17
	7.4 UART interface .....	18
	7.5 PCB layout guidelines .....	19
	7.6 Reset circuit .....	19
	7.6.1 External reset circuit .....	19
	7.6.2 Internal reset circuit .....	20

---

7.7	Apple iOS CP reference design .....	20
<b>8</b>	<b>Regulatory compliance .....</b>	<b>22</b>
8.1	FCC and IC .....	22
8.2	Bluetooth certification .....	22
8.3	CE certification .....	23
<b>9</b>	<b>Traceability .....</b>	<b>24</b>
<b>10</b>	<b>Ordering information .....</b>	<b>25</b>
<b>11</b>	<b>Revision history .....</b>	<b>26</b>

# 1 Description

The SPBT2632C1A.AT2 is an easy to use Bluetooth module, compliant with Bluetooth v3.0. The module provides complete RF platform in a small form factor.

The SPBT2632C1A.AT2 enables electronic devices with wireless connectivity, not requiring any RF experience or expertise for integration into the final product. The SPBT2632C1A.AT2 module, being a certified solution, optimizes the time to market of the final application.

The module is designed for maximum performance in a minimal space including fast speed UART and 16 general purpose I/O lines, several serial interface options, and up to 560 kbps transmission speed with SPP service active, 250 kbps with iAP service active.

An optimized design allows the integration of a complete working Bluetooth modem, including antenna and LPO (low power oscillator), enabling low power mode capability in the minimum possible size.

The SPBT2632C1A.AT2 is a surface mount PCB module that provides fully embedded, ready-to-use Bluetooth wireless technology. The reprogrammable Flash memory contains embedded firmware for serial cable replacement using the Bluetooth SPP profile.

Embedded Bluetooth AT2 command firmware is a friendly interface, which realizes a simple control for cable replacement, enabling communication with most Bluetooth enabled devices, provided that the devices support SPP profile. The SPBT2632C1A.AT2, supporting iAP profile, provides communication with Android, smartphone and Apple® iOS Bluetooth enabled devices. An Apple authentication IC is required to exchange data with an Apple device or access an Apple device application. The AT2 FW includes the Bluetooth SPP profile capable of recognizing the Apple authentication chip.

Customers using the Apple authentication IC must register as developers, to become an Apple certified MFI member. License fees may apply, for additional information visit: <http://developer.apple.com/programs/which-program/index.html>.

Certified MFI developers developing electronic accessories that connect to an iPod®, iPhone®, and iPad® can gain access to technical documentation, hardware components, technical support and certification logos.

Customized firmware for peripheral device interaction, power optimization, security, and other proprietary features may be supported and can be ordered pre-loaded and configured.

## 2 RoHS compliance

ST Bluetooth modules comply with the ECOPACK2 level of RoHS compliance. The Material Declaration file is available from the ST website at the following URL:

[http://www.st.com/web/catalog/sense\\_power/FM1968/CL1976/SC1324/PF253471#](http://www.st.com/web/catalog/sense_power/FM1968/CL1976/SC1324/PF253471#).

## 3 Applications

- Serial cable replacement
- M2M industrial control
- Service diagnostics
- Data acquisition equipment
- Machine controls
- Sensor monitoring
- Security systems
- Mobile health.

## 4 Software architecture

### 4.1 Lower layer stack

- Bluetooth v3.0
- Device power active, sleep and deep sleep
- Wake on Bluetooth feature optimized power consumption of host CPU
- Authentication and encryption
- Encryption key length from 8 bits to 128 bits
- Persistent Flash memory for BD address and radio parameter storage
- All ACL (asynchronous connection less) packet types
- Multipoint capability
- Sniff mode: fully supported to maximum allowed intervals
- Master slave switch supported during connection and post connection
- Dedicated inquiry access code for improved inquiry scan performance
- Dynamic packet selection channel quality driven data rate to optimize link performance
- Dynamic power control
- Bluetooth radio natively supports 802.11b coexistence AFH

### 4.2 Upper layer stack: Amp'ed UP

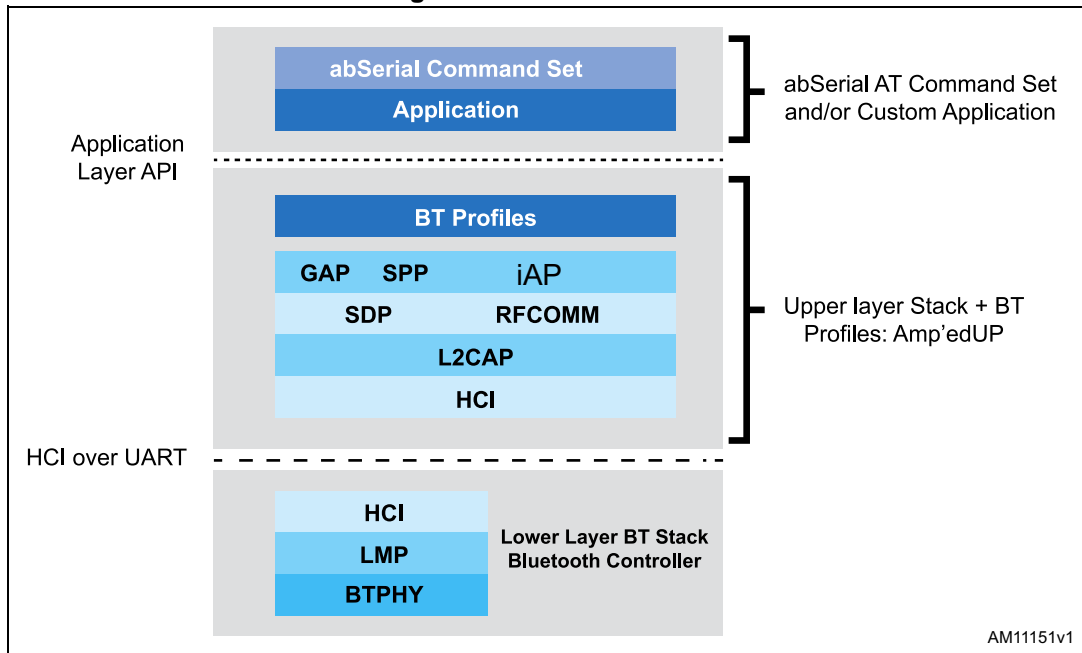
- SPP, IAP, SDAP and GAP protocols
- RFComm, SDP and L2CAP supported
- Multipoint with simultaneous slaves

### 4.3 AT command set: abSerial

- The complete command list including the iAP commands is reported in user manual UM1547

### 4.4 Bluetooth firmware implantation

Figure 1. FW architecture



## 5 Hardware specifications

General conditions ( $V_{IN}= 2.5$  V and 25 °C).

### 5.1 Recommended operating conditions

**Table 1. Recommended operating conditions**

Rating	Min.	Typ.	Max.	Unit
Operating temperature range	-40	-	85	°C
Supply voltage $V_{IN}$	2.0	2.5	3.6	V
Signal pin voltage	-	2.1	-	V
RF frequency	2400	-	2483.5	MHz

### 5.2 Absolute maximum ratings

**Table 2. Absolute maximum ratings**

Rating	Min.	Typ.	Max.	Unit
Storage temperature range	-55	-	+105	°C
Supply voltage, $V_{IN}$	-0.3	-	+ 5.0	V
I/O pin voltage, $V_{IO}$	-0.3	-	+ 5.5	V
RF input power	-	-	-5	dBm

### 5.3 High speed mode CPU current consumption

- High speed CPU mode current consumption
  - CPU 32 MHz
  - UART supports up to 921 Kbps
  - Max data throughput
  - Shallow sleep enabled

**Table 3. Current consumption**

Modes (typical power consumption)	Avg	Unit
ACL data 115 K Baud UART at max. throughput (master)	23	mA
ACL data 115 K Baud UART at max. throughput (slave)	27.5	mA
Connection, no data traffic, master	9.1	mA
Connection, no data traffic, slave	11.2	mA
Connection in sniff ( $T_{sniff}=375$ ms), no data traffic, master	490	µA



**Table 3. Current consumption (continued)**

Modes (typical power consumption)	Avg	Unit
Standby, without deep sleep	8.6	mA
Standby, with deep sleep	60	$\mu$ A
Page/inquiry scan, deep sleep	520	$\mu$ A

## 5.4 Standard CPU mode current consumption

- High speed CPU mode
  - CPU 8 MHz
  - UART supports up to 115 Kbps
  - Data throughput up to 200 Kbps
  - Shallow sleep enabled

**Table 4. Standard CPU mode current consumption**

Modes (typical power consumption)	Avg.	Unit
ACL data 115 K Baud UART at max. throughput (master)	16.7	mA
ACL data 115 K Baud UART at max. throughput (slave)	18	mA
Connection, no data traffic, master	4.9	mA
Connection, no data traffic, slave	7.0	mA
Connection in sniff (Tsniff=375 ms), no data traffic, master	490	$\mu$ A
Standby, without deep sleep	4.2	mA
Standby, with deep sleep	60	$\mu$ A
Page/Inquiry scan, deep sleep	520	$\mu$ A

## 5.5 I/O operating characteristics

**Table 5. I/O operating characteristics**

Symbol	Parameter	Min.	Max.	Unit	Conditions
$V_{IL}$	Low level input voltage	-	0.6	V	$V_{IN}$ , 2.1 V
$V_{IH}$	High level input voltage	1.4	-	V	$V_{IN}$ , 2.1 V
$V_{OL}$	Low level output voltage	-	0.4	V	$V_{IN}$ , 2.1 V
$V_{OH}$	High level output voltage	1.8	-	V	$V_{IN}$ , 2.1 V
$I_{OL}$	Low level output current	-	4.0	mA	$V_{OL} = 0.4$ V
$I_{OH}$	High level output current	-	4.0	mA	$V_{OH} = 1.8$ V
$R_{PU}$	Pull-up resistor	80	120	k $\Omega$	Resistor turned on
$R_{PD}$	Pull-down resistor	80	120	k $\Omega$	Resistor turned on

### 5.6 Selected RF characteristics

Table 6. Selected RF characteristics

Parameters	Conditions	Typical <sup>(1)</sup>	Unit
Antenna load		50	ohm
<b>Radio receiver</b>			
Sensitivity level	BER < .001 with DH5	-90	dBm
Maximum usable level	BER < .001 with DH1	0	dBm
Input VSWR		2.5:1	
<b>Radio transmitter</b>			
Maximum output power	50 W load	+10	dBm
Initial carrier frequency tolerance		0	kHz
20 dB bandwidth for modulated carrier		935	kHz

1. RF characteristics can be influenced by physical characteristics of final application

### 5.7 Pin assignment

Figure 2. Pin connection diagram

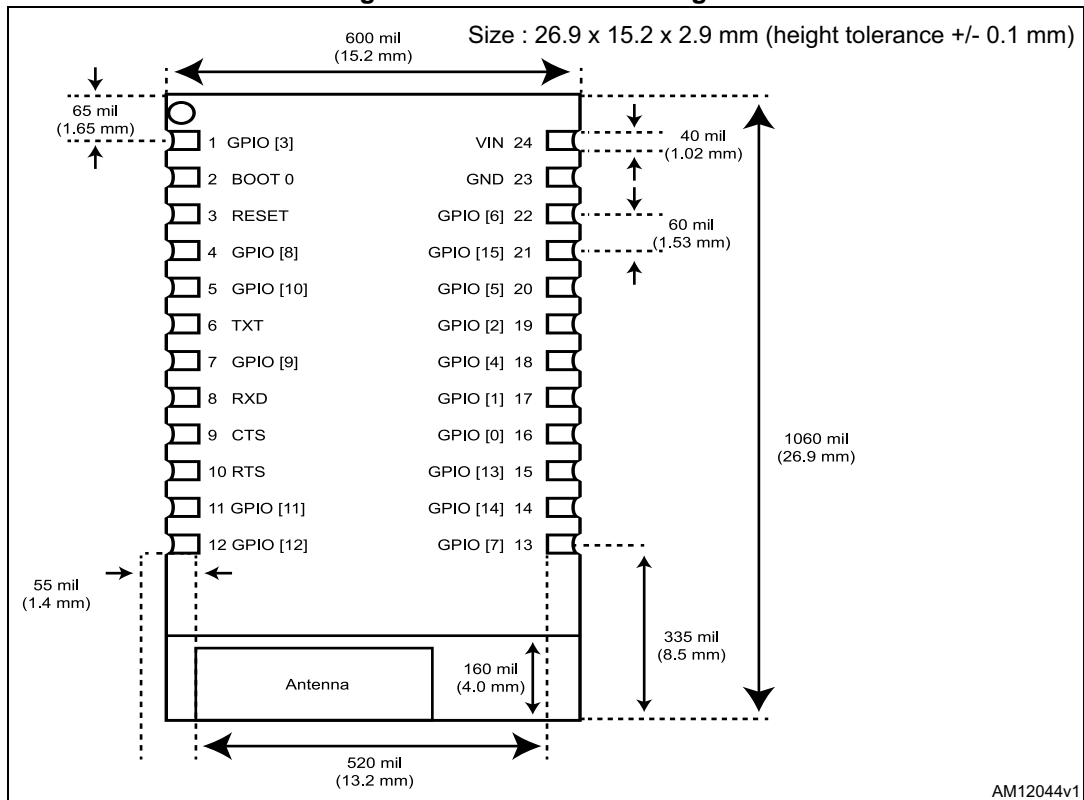


Table 7. Pin assignment

Name	Type	Pin #	Description	ALT function <sup>(1)</sup>	5 V tolerant
<b>UART interface</b>					
RXD	I	8	Receive data		Y
TXD	O	6	Transmit data		Y
CTS	I	9	Clear to send (active low)		Y
RTS	O	10	Request to send (active low)		Y
<b>Boot loader</b>					
Boot 0	I	2	Reserved		
<b>Power and ground</b>					
V <sub>DD</sub>		24	V <sub>DD</sub>		
GND		23	GND		
<b>Reset</b>					
RESETN	I	3	Reset input (active low for 5 ms)		2.5 Vmax
<b>GPIO - general purpose input/output</b>					
GPIO [0]	I/O	16	General purpose input/output		Y
GPIO [1]	I/O	17	General purpose input/output		Y
GPIO [2]	I/O	19	General purpose input/output		Y
GPIO [3]	I/O	1	General purpose input/output		Y
GPIO [4]	I/O	18	General purpose input/output	UART 2 RXD	Y
GPIO [5]	I/O	20	General purpose input/output	UART 2 TXD	Y
GPIO [6]	I/O	22	General purpose input/output	ADC 0	2.5 Vmax
GPIO [7]	I/O	13	General purpose input/output	ADC 1	2.5 Vmax
GPIO [8]	I/O	4	General purpose input/output	ADC 2	2.5 Vmax
GPIO [9]	I/O	7	General purpose input/output	ADC 3	2.5 Vmax
GPIO [10]	I/O	5	General purpose input/output		Y

Table 7. Pin assignment (continued)

Name	Type	Pin #	Description	ALT function <sup>(1)</sup>	5 V tolerant
GPIO [11]	I/O	11	General purpose input/output	I2C SCL	Y
GPIO [12]	I/O	12	General purpose input/output	I2C SDA	Y
GPIO [13]	I/O	15	General purpose input/output		Y
GPIO [14]	I/O	14	General purpose input/output		Y
GPIO [15]	I/O	21	General purpose input/output	DAC	2.5 Vmax

1. Please note that the usage of ALT function is dependant upon the firmware that is loaded into the module, and is beyond the scope of this document. The AT command interface uses the main UART by default.

### 5.8 Mechanical dimensions

Figure 3. Mechanical dimensions

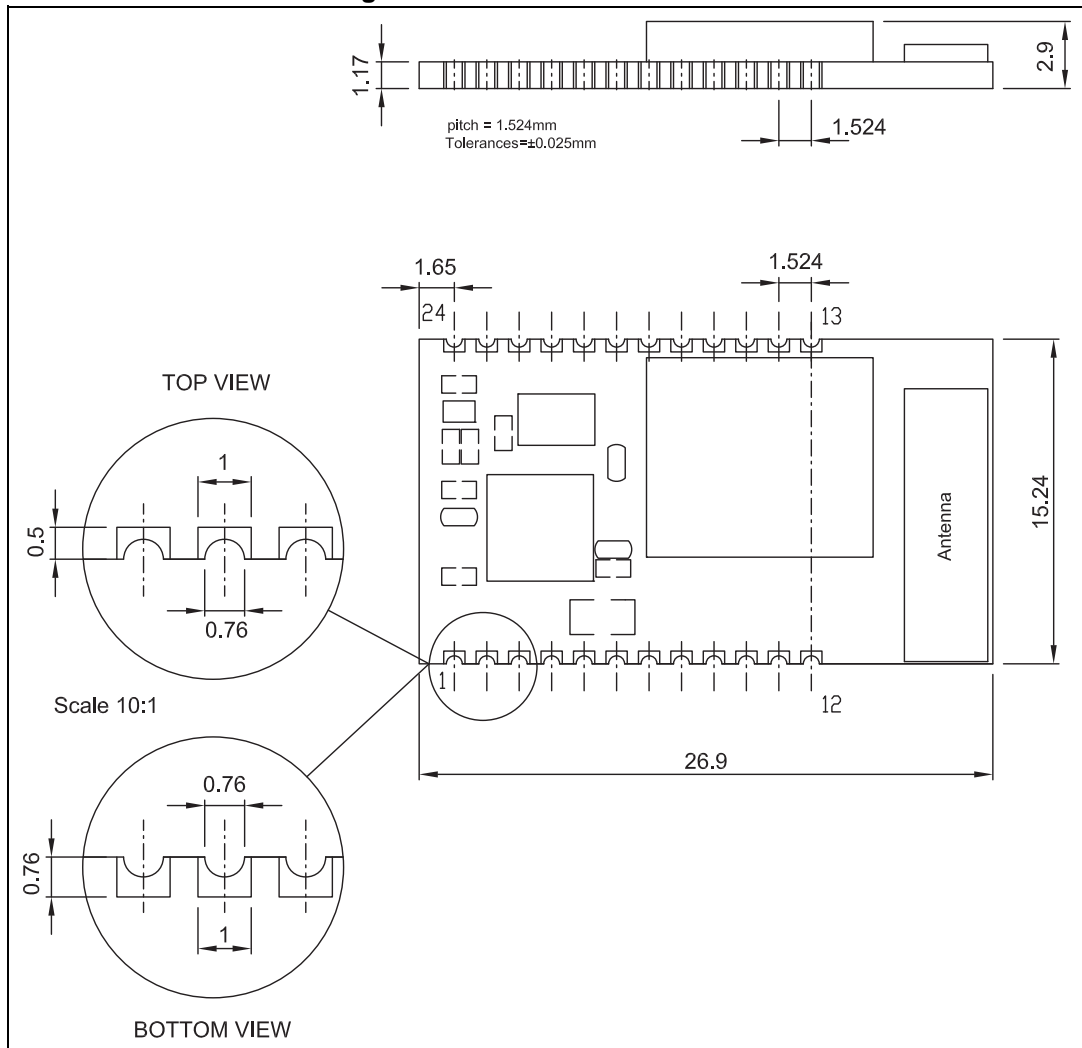
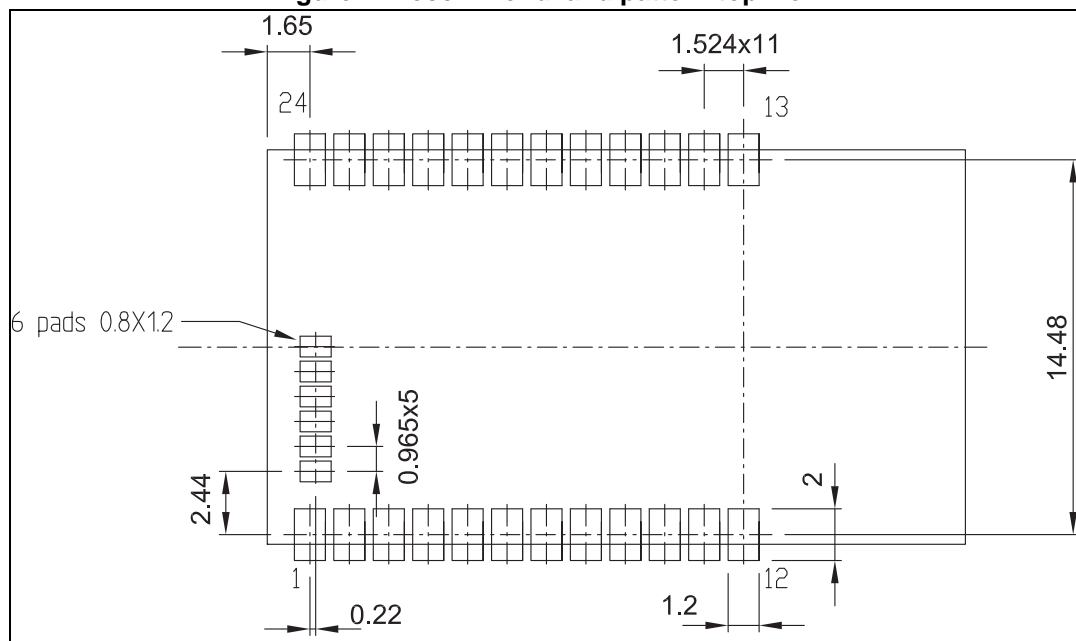
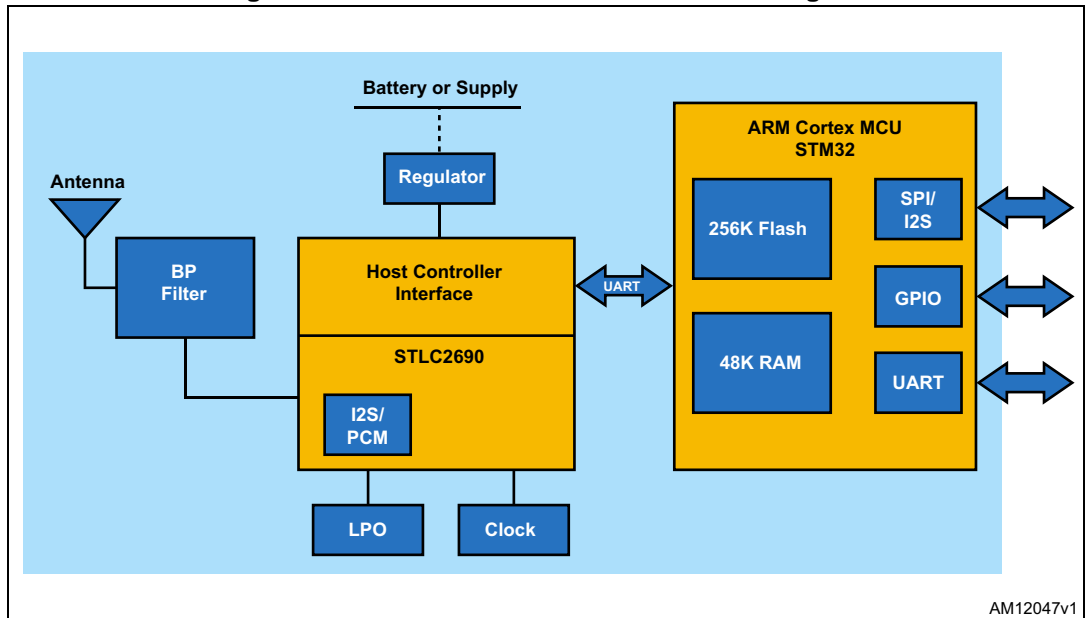


Figure 4. Recommend land pattern top view



## 6 Hardware block diagram

Figure 5. SPBT2632C1A.AT2 module block diagram



## 7 Hardware design

The SPBT2632C1A module without AT2 command embedded FW, supports UART, I<sup>2</sup>C and GPIO hardware interfaces. Note that the use of these interfaces is dependent upon the firmware that is loaded into the module, and is beyond the scope of this document. The AT2 command interface uses the main UART by default.

- Note:
- 1 All unused pins should be left floating; do not ground.
  - 2 All GND pins must be well grounded.
  - 3 The area around the module should be free of any ground planes, power planes, trace routings, or metal for 6 mm from the antenna in all directions.
  - 4 Traces should not be routed underneath the module.

### 7.1 Module reflow installation

The SPB2632C1A is a high temperature-strength surface-mount Bluetooth module supplied on a 24-pin, 6-layer PCB. The final assembly recommended reflow profiles are indicated below.

The soldering phase must be executed with care. In order to avoid an undesired melting phenomenon, particular attention must be paid to the setup of the peak temperature.

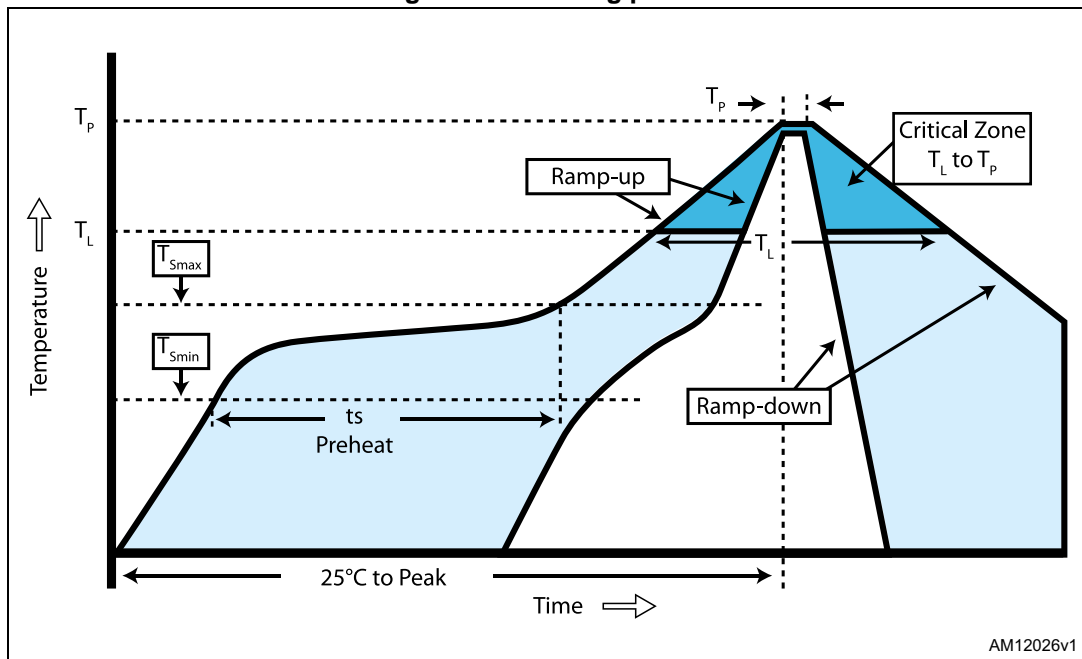
[Table 8](#) contains some suggestions for the temperature profile based on IPC/JEDEC J-STD-020C, July 2004 recommendations.

**Table 8. Soldering**

Profile feature	PB-free assembly
Average ramp-up rate (T <sub>S</sub> MAX to T <sub>P</sub> )	3 °C/sec max.
Preheat:	
– Temperature min. (T <sub>S</sub> min.)	150 °C
– Temperature max. (T <sub>S</sub> max.)	200 °C
– Time (t <sub>S</sub> min. to t <sub>S</sub> max.)(t <sub>S</sub> )	60-100 sec
Time maintained above:	
– Temperature T <sub>L</sub>	217 °C
– Temperature T <sub>L</sub>	60-70 sec
Peak temperature (T <sub>P</sub> )	240 + 0 °C
Time within 5 °C of actual peak temperature (T <sub>P</sub> )	10-20 sec
Ramp-down rate	6 °C/sec
Time from 25 °C to peak temperature	8 minutes max.



Figure 6. Soldering profile



## 7.2 GPIO interface

All GPIOs are capable of sinking and sourcing 8 mA of I/O current. GPIO [0] to GPIO [7] are internally pulled down with 100 kΩ (nominal) resistors, GPIO [8] to GPIO [15] are internally pulled up with 100 kΩ (nominal) resistors.

## 7.3 GPIO configuration

Module GPIO configuration depends on the FW embedded.

For example, the following table summarizes the GPIO configuration set by the standard FW version, the .AT2

	GPIO1	GPIO2	GPIO3	GPIO4	GPIO5-7	GPIO8-16
SPBT2632C1A.AT2	Output/ connection status probe	Input/ pulled-down BOOT	Input/ pulled-down	Output/ active status probe	Input/ pulled-down	Input/ pulled-up

GPIO4: active status probe (MCU RUN): always on when the radio is in active mode;

Blinking when the radio is in deep sleep mode

GPIO1: connection status probe: always on when the module is connected

GPIO can be reconfigured using the following commands:

- At+ab gpioconfig [GPIO pin] [I/O]
- At+ab gpioRead [GPIO pin]
- At+ab gpioWrite [GPIO pin] [1/0]

For additional details, refer to user manual UM1547.

### 7.4 UART interface

The UART is compatible with the 16550 industry standard. Four signals are provided with the UART interface. The TXD and RXD pins are used for data while the CTS and RTS pins are used for flow control.

Figure 7. Connection to host device

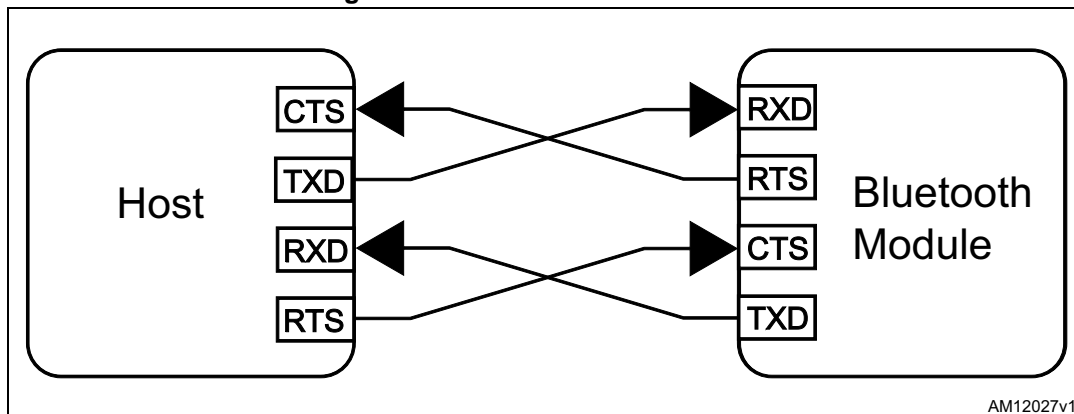
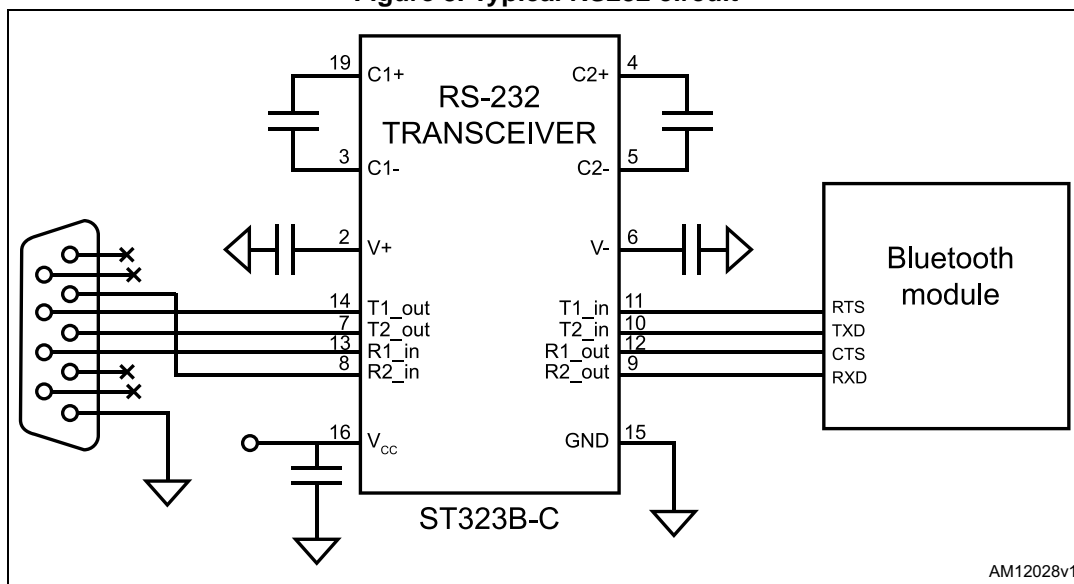
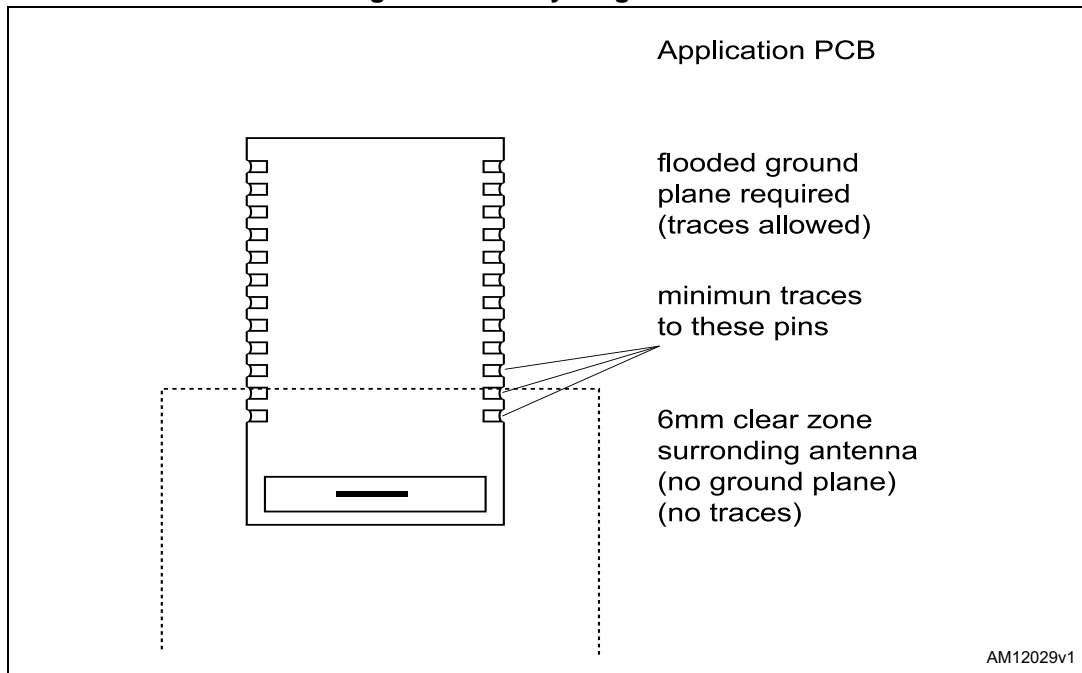


Figure 8. Typical RS232 circuit



## 7.5 PCB layout guidelines

Figure 9. PCB layout guidelines

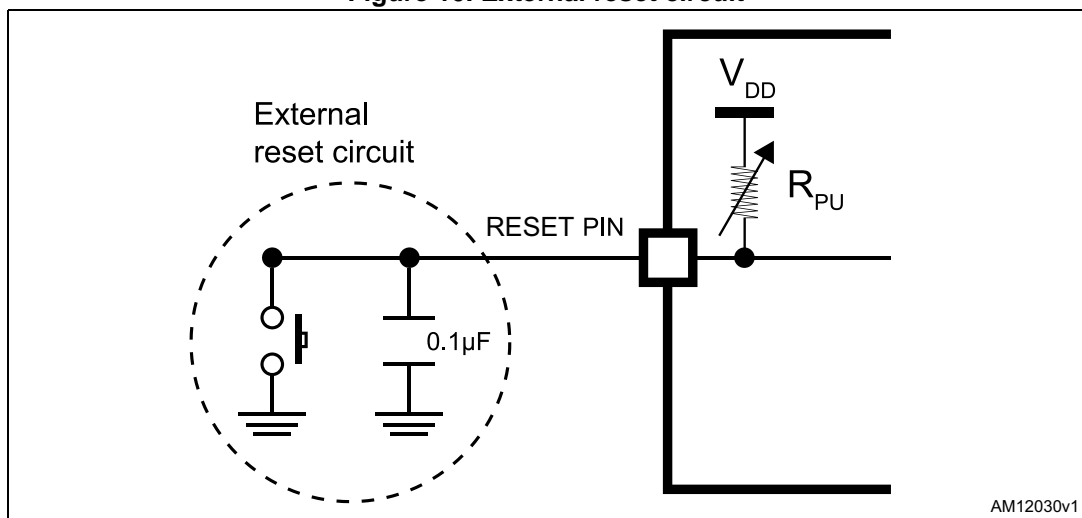


## 7.6 Reset circuit

Two types of system reset circuits are detailed below. The maximum voltage that can be supplied to the RESET pin is 2.5 V. As shown in [Figure 9](#) and [Figure 10](#) the RESET is active low, in absence of a reset circuit the pin is internally pulled up and therefore inactive.

### 7.6.1 External reset circuit

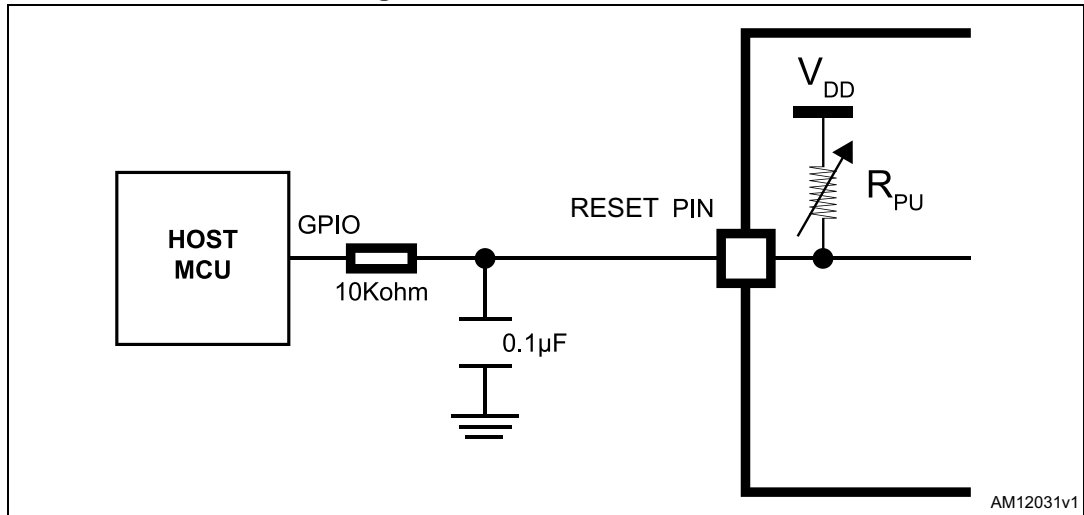
Figure 10. External reset circuit



Note:  $R_{PU}$  ranges from 30 k $\Omega$  to 50 k $\Omega$  internally.

### 7.6.2 Internal reset circuit

Figure 11. Internal reset circuit



- Note: 1  $R_{PU}$  ranges from 30 k $\Omega$  to 50 k $\Omega$  internally.
- 2  $R_{RST}$  should be from 1 k $\Omega$  to 10 k $\Omega$ .

## 7.7 Apple iOS CP reference design

The figures below give an indicative overview of what the hardware concept looks like. A specific MFI co-processor layout is available for licensed MFI developers from the MFI program.

Figure 12. BT module

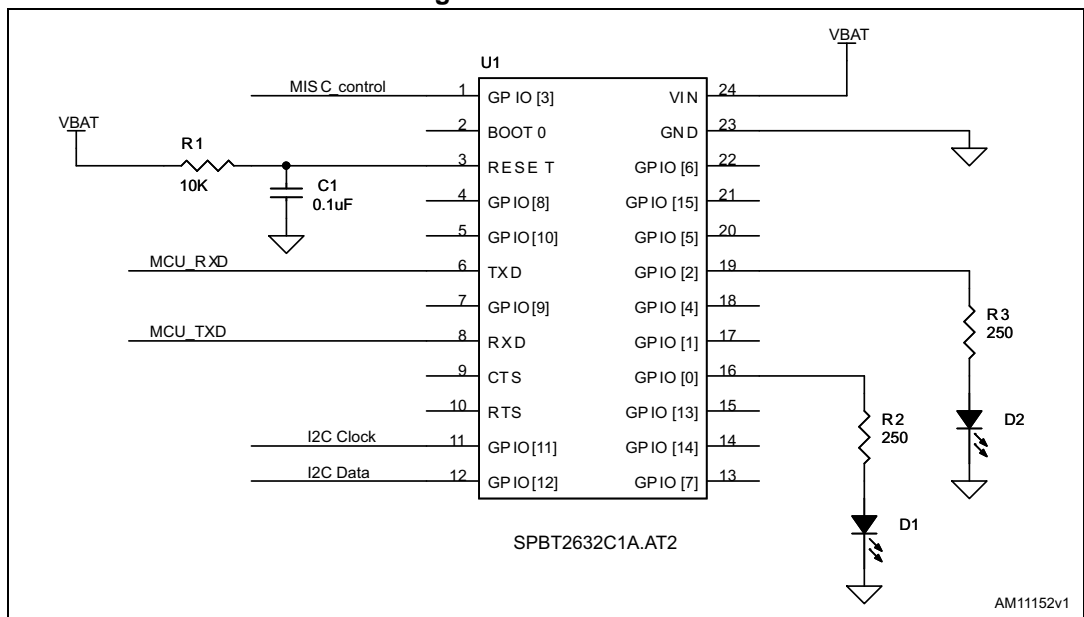


Figure 13. Co-processor

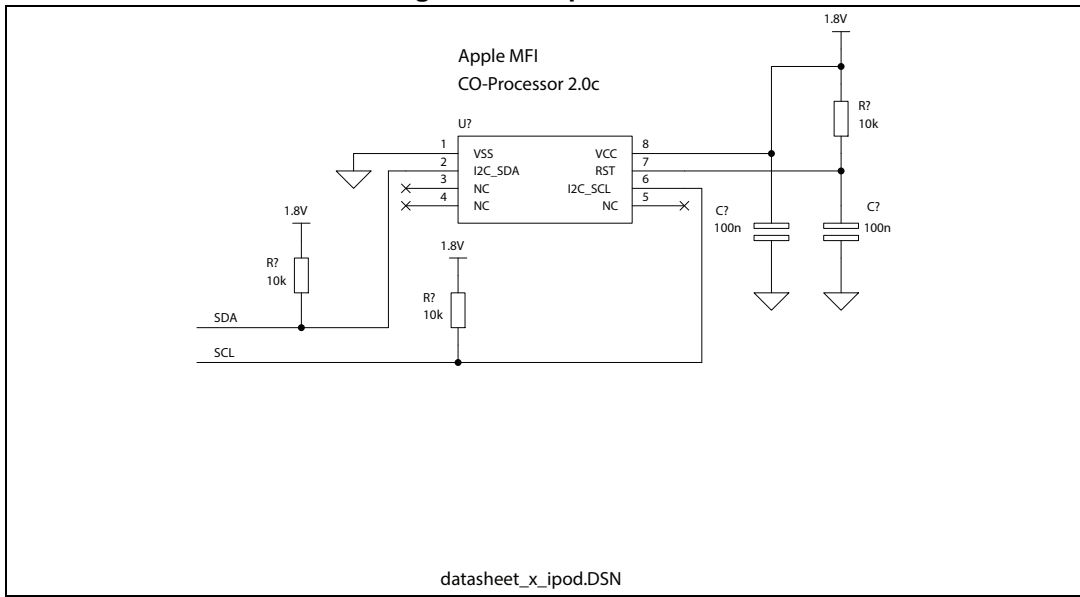
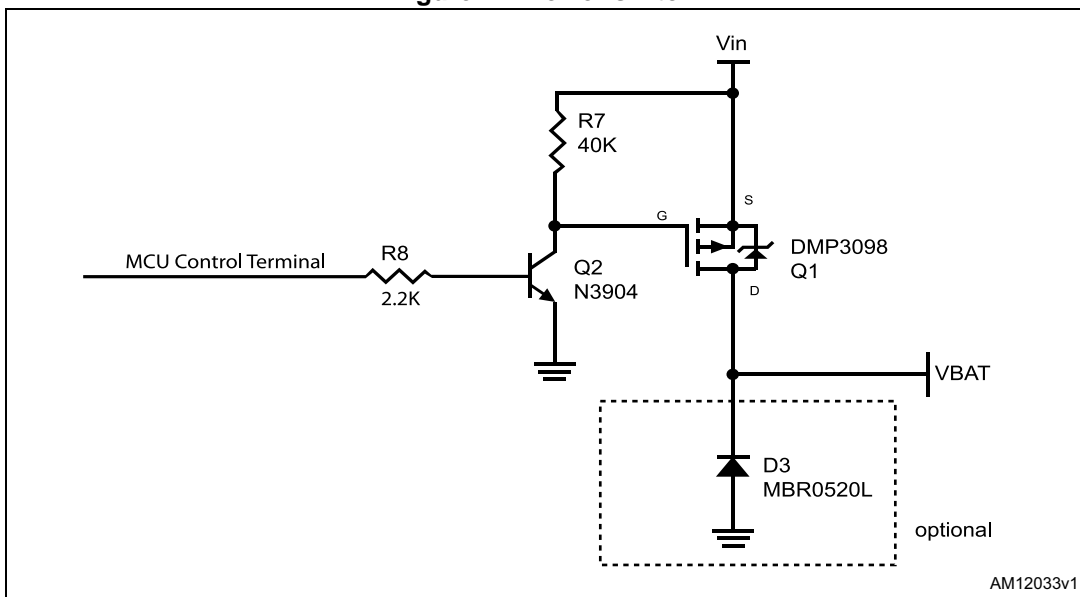


Figure 14. Power switch



## 8 Regulatory compliance

### 8.1 FCC and IC

- This module has been tested and found to comply with the FCC part 15 and IC RSS-210 rules. These limits are designed to provide reasonable protection against harmful interference in approved installations. This equipment generates, uses, and can radiate radio frequency energy and, if not installed and used in accordance with the instructions, may cause harmful interference to radio communications. However, there is no guarantee that interference may not occur in a particular installation. This device complies with part 15 of the FCC rules. Operation is subject to the following two conditions: (1) this device may not cause harmful interference, and (2) this device must accept any interference received, including interference that may cause undesired operation.

Modifications or changes to this equipment not expressly approved by the part responsible for compliance may render void the user's authority to operate this equipment.

- Modular Approval, FCC and IC

FCC ID: X3ZBTMOD3

IC: 8828A-MOD3

In accordance with FCC part 15, the SPT2632C1A.AT2 is listed above as a modular transmitter device.

- Label instructions:

When integrating the SPBT2632C1A.AT2 into the final product, it must be ensured that the FCC labelling requirements, as specified below, are satisfied.

Based on the public notice from FCC, the product into which the ST transmitter module is installed must display a label referring to the enclosed module.

The label should use wording such as the following:

Contains transmitter module

FCC ID: X3ZBTMOD3

IC: 8828A-MOD3

Any similar wording that expresses the same meaning may be used.

### 8.2 Bluetooth certification

Module with embedded stack and profile has been qualified according to SIG qualification rules:

- Bluetooth SIG qualified design, QD ID: B019224
- Product type: end product
- TGP version: Core 3.0
- Core spec version: 3.0
- Product descriptions: Bluetooth module, spec V3.0

### 8.3 CE certification

Module has been certified according to following certification rules:

- CE Expert opinion: 0447-ARSO00093-r
- Measurements have been performed in accordance with (report available on request):
  - EN 300 328 V 1.8.1 (2012:06) <sup>(a)</sup>
  - EN 301 489-17 V 2.2.1 (2012:09) <sup>(b)</sup>
  - EN 301 489-1 V1.9.2 (2011:09) <sup>(c)</sup>
  - EN60950-1:2006 +A12:2011 <sup>(d)</sup>
- CE certified:

# CE0051

- 
- a. EN 300 328 V 1.8.1 (2012:06): "electromagnetic compatibility and radio spectrum Matters (ERM); Wideband transmission systems; data transmission equipment operating in the 2.4 GHz ISM band and using wideband modulation techniques; harmonized EN covering essential requirements under article 3.2 of the R&TTE directive".
  - b. EN 301 489-17 V 2.2.1 (2012:09): "electromagnetic compatibility and radio spectrum Matters (ERM); electromagnetic compatibility (EMC) standard for radio equipment and services; part 17: specific condition for 2.4 GHz wideband transmission systems and 5 GHz high performance RLAN equipment".
  - c. EN301 489-1 V 1.9.2 (2011 09): "electromagnetic compatibility and radio spectrum Matters (ERM); electromagnetic compatibility (EMC) standard for radio equipment and services; part 1: Common technical requirements".
  - d. EN60950-1:2006 +A12:20011: "Information technology equipment - safety".

## 9 Traceability

Each module is unambiguously identified by serial number stored in a 2D data matrix laser mark on the bottom side of the module itself.

The serial number has the following format:

WW YY D FF NNN

where

WW = week

YY = year

D = product ID family

FF = production panel coordinate identification.

NNN = progressive serial number.

Each module bulk is identified by a bulk ID.

BULK ID and module 2D data matrix are linked by a reciprocal traceability link.

The module 2D data matrix traces the lot number of any raw material used.



## 10 Ordering information

**Table 9. Ordering information**

Order code	Description	Packing	MOQ
SPBT2632C1A.AT2	Class 1 OEM Bluetooth antenna module	JEDEC tray	1020 pcs

# 11 Revision history

**Table 10. Document revision history**

Date	Revision	Changes
23-Apr-2012	1	Initial release.
12-Jun-2012	2	– Document status promoted from preliminary data to production data – Modified: <a href="#">Figure 1</a>
07-Aug-2012	3	– Added: notes in <a href="#">Table 6</a> and <a href="#">7</a> – Modified: <a href="#">Section 7</a>
29-Oct-2013	4	Added new section: <a href="#">Section 5.8</a> , <a href="#">Section 7.3</a> and <a href="#">Section 9</a>
12-Jun-2014	5	Updated: <a href="#">Features</a>
01-Apr-2015	6	Corrected typo (W in $\Omega$ ): <a href="#">7.6.2: Internal reset circuit on page 20</a>

**IMPORTANT NOTICE – PLEASE READ CAREFULLY**

STMicroelectronics NV and its subsidiaries ("ST") reserve the right to make changes, corrections, enhancements, modifications, and improvements to ST products and/or to this document at any time without notice. Purchasers should obtain the latest relevant information on ST products before placing orders. ST products are sold pursuant to ST's terms and conditions of sale in place at the time of order acknowledgement.

Purchasers are solely responsible for the choice, selection, and use of ST products and ST assumes no liability for application assistance or the design of Purchasers' products.

No license, express or implied, to any intellectual property right is granted by ST herein.

Resale of ST products with provisions different from the information set forth herein shall void any warranty granted by ST for such product.

ST and the ST logo are trademarks of ST. All other product or service names are the property of their respective owners.

Information in this document supersedes and replaces information previously supplied in any prior versions of this document.

© 2015 STMicroelectronics – All rights reserved

