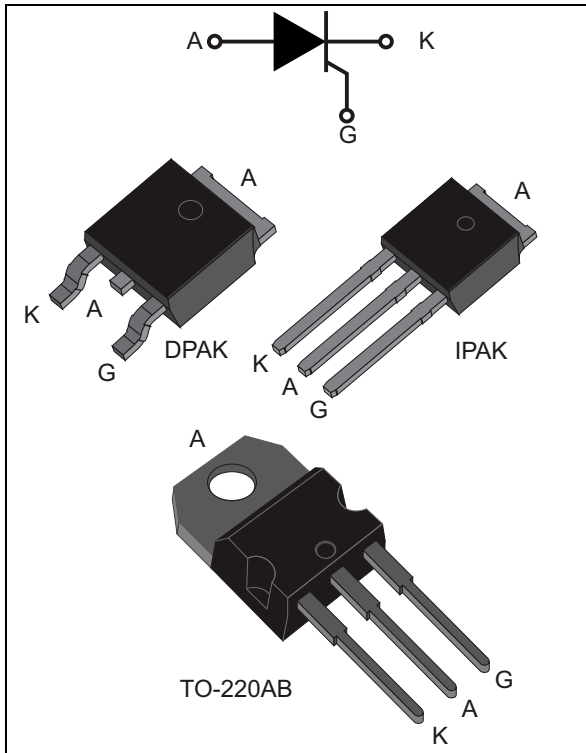


**Sensitive 12 A SCRs**

Datasheet - production data


**Description**

Thanks to highly sensitive triggering levels, the 12 A SCR series is suitable to fit all modes of control, found in applications such as overvoltage crowbar protection, motor control circuits in power tools and kitchen aids, inrush current limiting circuits, capacitive discharge ignition and voltage regulation circuits.

Available in through-hole or surface-mount packages, they provide an optimized performance in a limited space.

**Table 1. Device summary**

Order code	$V_{DRM}/V_{RRM}$	$I_{GT}$	Package
TS1220-xxxB	600 V	0.2 mA	DPAK
TS1220-xxxH		0.2 mA	IPAK
TS1220-xxxT		0.2 mA	TO-220AB

**Features**

- On-state rms current,  $I_{T(RMS)}$  12 A
- Repetitive peak off-state voltage,  $V_{DRM}/V_{RRM}$  600 V
- Triggering gate current,  $I_{GT}$  200  $\mu$ A

# 1 Characteristics

**Table 2. Absolute ratings (limiting values)**

Symbol	Parameter		Value		Unit
			TS1220		
$I_{T(RMS)}$	On-state rms current (180° conduction angle)		$T_c = 105\text{ °C}$	12	A
$I_{T(AV)}$	Average on-state current (180° conduction angle)		$T_c = 105\text{ °C}$	8	A
$I_{TSM}$	Non repetitive surge peak on-state current	$t_p = 8.3\text{ ms}$	$T_j = 25\text{ °C}$	115	A
		$t_p = 10\text{ ms}$		110	
$I^2t$	$I^2t$ value for fusing	$t_p = 10\text{ ms}$	$T_j = 25\text{ °C}$	60	A <sup>2</sup> S
dI/dt	Critical rate of rise of on-state current $I_G = 2 \times I_{GT}$ , $t_r \leq 100\text{ ns}$	F = 60 Hz	$T_j = 125\text{ °C}$	50	A/ $\mu$ s
$I_{GM}$	Peak gate current	$t_p = 20\text{ }\mu\text{s}$	$T_j = 125\text{ °C}$	4	A
$P_{G(AV)}$	Average gate power dissipation		$T_j = 125\text{ °C}$	1	W
$T_{stg}$ $T_j$	Storage junction temperature range Operating junction temperature range			- 40 to + 150 - 40 to + 125	°C

**Table 3. Sensitive electrical characteristics ( $T_j = 25\text{ °C}$ , unless otherwise specified)**

Symbol	Test conditions			Unit			
$I_{GT}$	$V_D = 12\text{ V}$ , $R_L = 140\text{ }\Omega$	MAX.	200	$\mu\text{A}$			
$V_{GT}$		MAX.	0.8	V			
$V_{GD}$	$V_D = V_{DRM}$ , $R_L = 3.3\text{ k}\Omega$ , $R_{GK} = 220\text{ }\Omega$	$T_j = 125\text{ °C}$	MIN.	0.1	V		
$V_{RG}$	$I_{RG} = 10\text{ }\mu\text{A}$			MIN.	8	V	
$I_H$	$I_T = 50\text{ mA}$ , $R_{GK} = 1\text{ k}\Omega$			MAX.	5	mA	
$I_L$	$I_G = 1\text{ mA}$ , $R_{GK} = 1\text{ k}\Omega$			MAX.	6	mA	
dV/dt	$V_D = 67\% V_{DRM}$ , $R_{GK} = 220\text{ }\Omega$	$T_j = 125\text{ °C}$	MIN.	5	V/ $\mu\text{s}$		
$V_{TM}$	$I_{TM} = 24\text{ A}$ $t_p = 380\text{ }\mu\text{s}$		$T_j = 25\text{ °C}$	MAX.	1.6	V	
$V_{t0}$	Threshold voltage			$T_j = 125\text{ °C}$	MAX.	0.85	V
$R_d$	Dynamic resistance			$T_j = 125\text{ °C}$	MAX.	30	m $\Omega$
$I_{DRM}$ $I_{RRM}$	$V_{DRM} = V_{RRM}$ , $R_{GK} = 1\text{ k}\Omega$		$T_j = 25\text{ °C}$	MAX.	5	$\mu\text{A}$	
			$T_j = 125\text{ °C}$		1	mA	

Table 4. Thermal resistance

Symbol	Parameter		Value	Unit
$R_{th(j-c)}$	Junction to case (DC)		1.3	$^{\circ}\text{C}/\text{W}$
$R_{th(j-a)}$	Junction to ambient (DC)	$S^{(1)} = 0.5 \text{ cm}^2$	70	$^{\circ}\text{C}/\text{W}$
			100	
			60	

1. S = Copper surface under tab

Figure 1. Maximum average power dissipation versus average on-state current

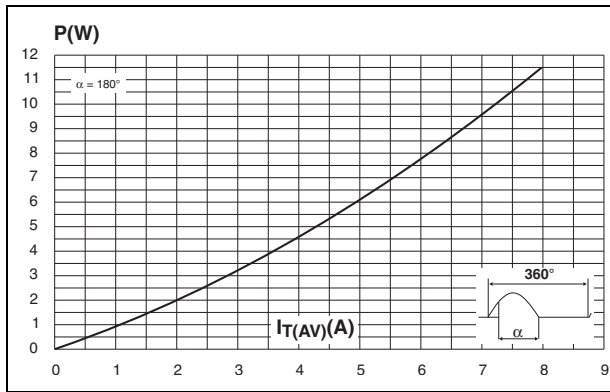


Figure 2. Average and DC on-state current versus case temperature

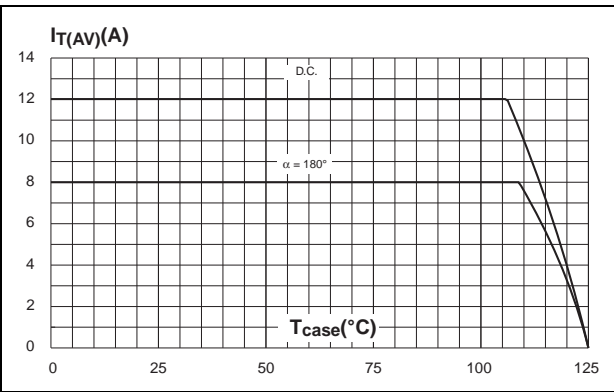


Figure 3. Average and DC on-state current versus ambient temperature (DPAK)

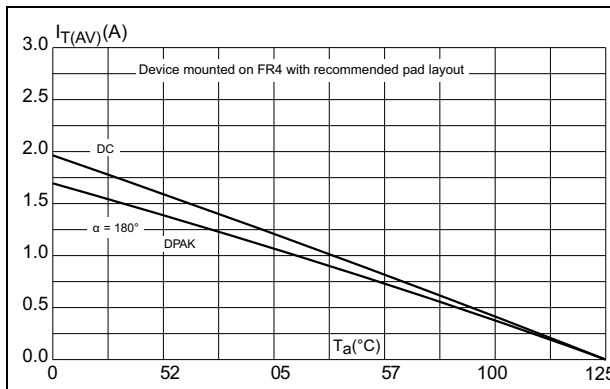
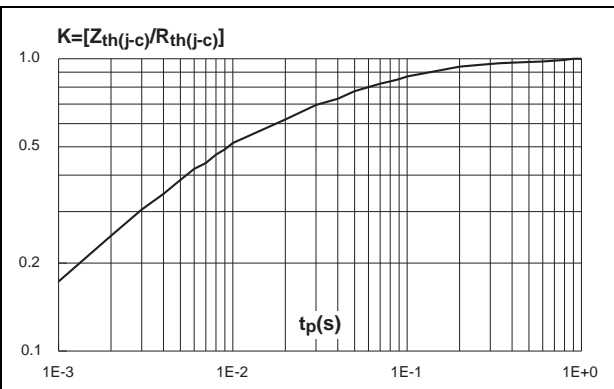
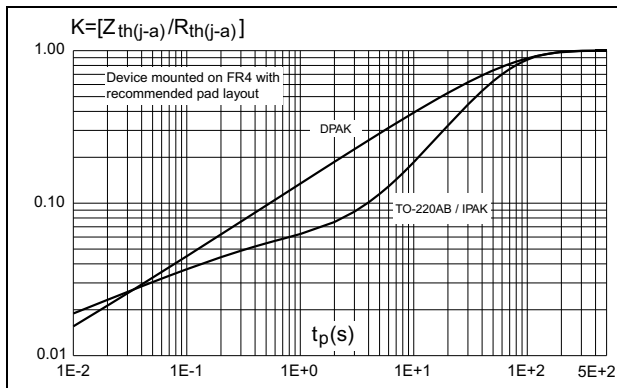


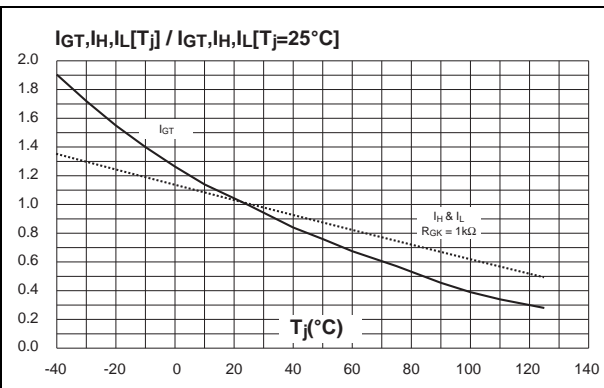
Figure 4. Relative variation of thermal impedance junction to case versus pulse duration



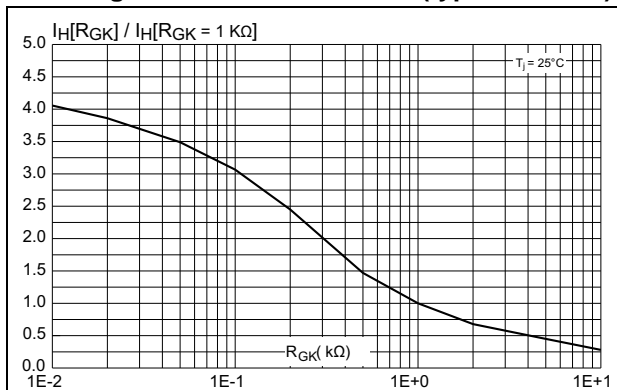
**Figure 5. Relative variation of thermal impedance junction to ambient versus pulse duration**



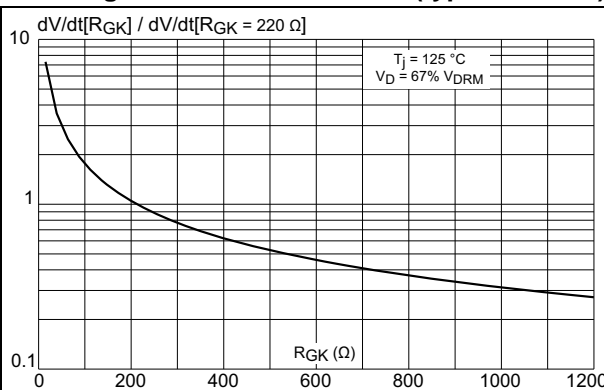
**Figure 6. Relative variation of gate trigger and holding current versus junction temperature**



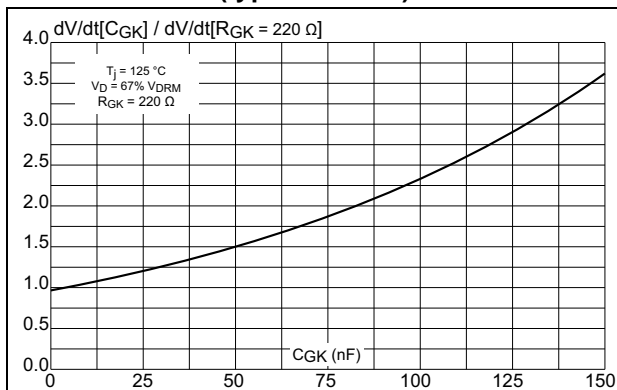
**Figure 7. Relative variation of holding current versus gate-cathode resistance (typical values)**



**Figure 8. Relative variation of dV/dt immunity versus gate-cathode resistance (typical values)**



**Figure 9. Relative variation of dV/dt immunity current versus gate-cathode capacitance (typical values)**



**Figure 10. Surge peak on-state current versus number of cycles**

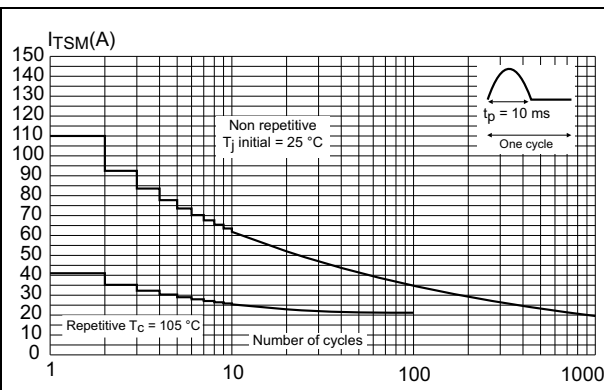


Figure 11. Non-repetitive surge peak on-state current and corresponding values versus sinusoidal pulse width

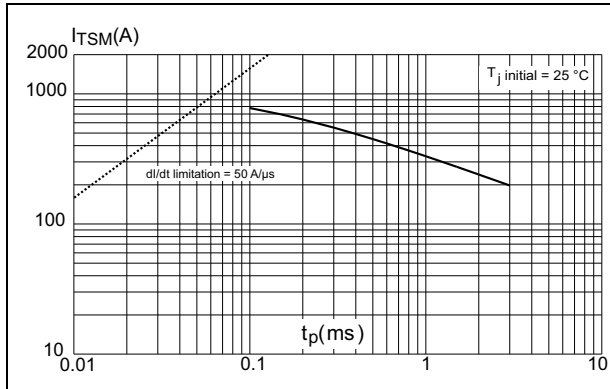


Figure 12. On-state characteristics (maximum values)

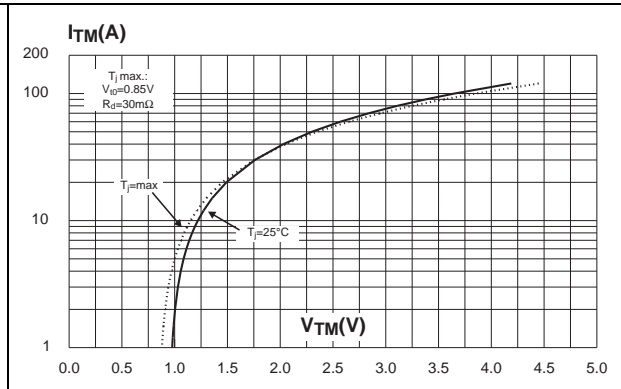
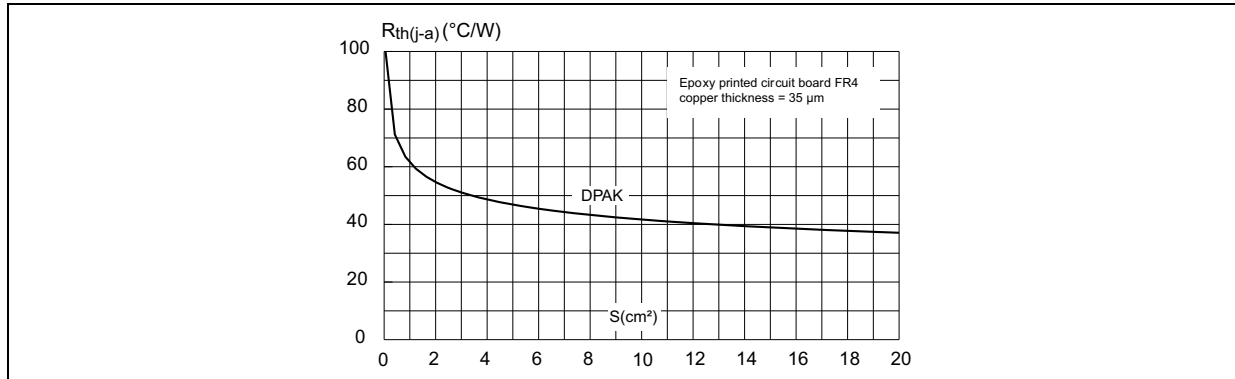


Figure 13. Thermal resistance junction to ambient versus copper surface under tab (DPAK)



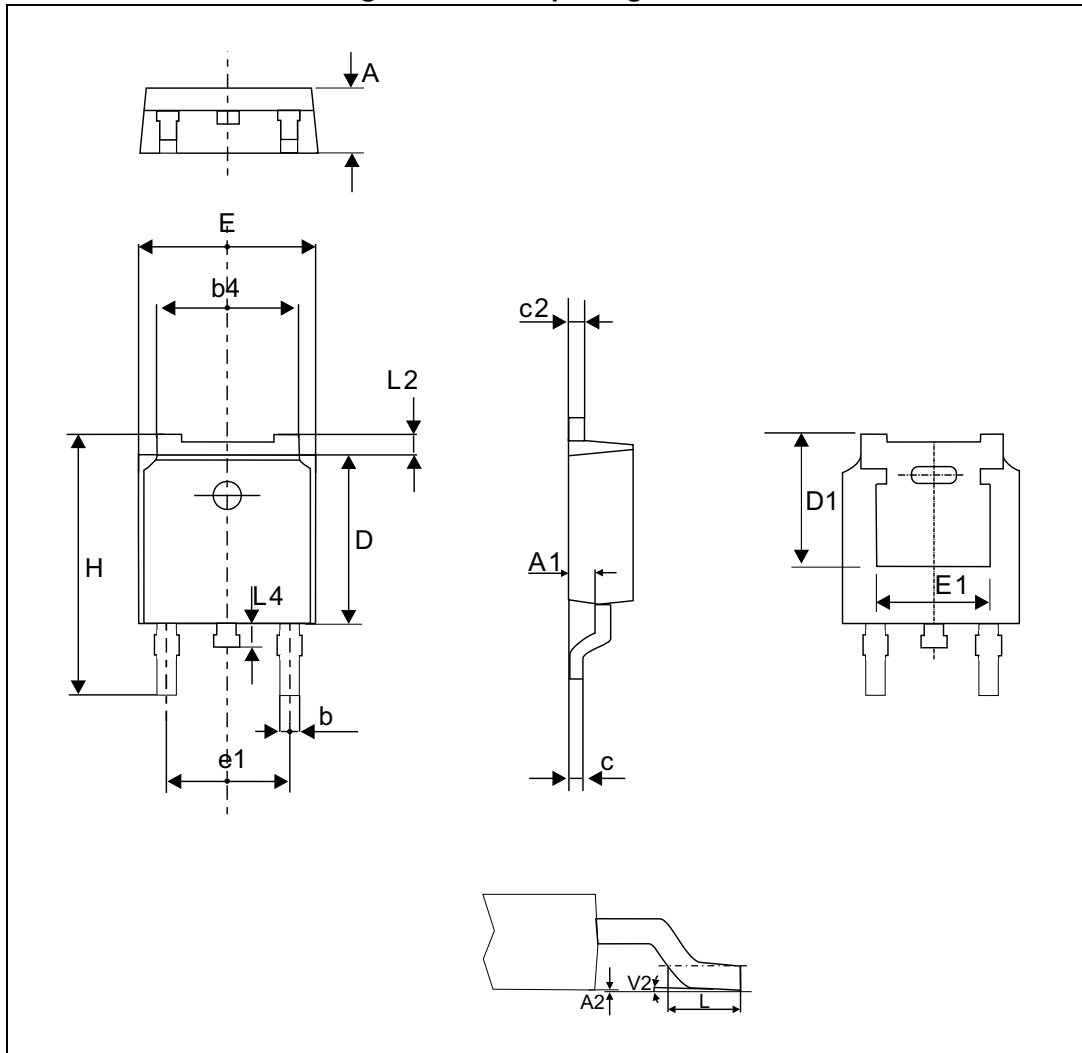
## 2 Package information

- Epoxy meets UL94, V0
- Lead-free packages
- Recommended torque: 0.4 to 0.6 N·m

In order to meet environmental requirements, ST offers these devices in different grades of ECOPACK® packages, depending on their level of environmental compliance. ECOPACK® specifications, grade definitions and product status are available at: [www.st.com](http://www.st.com). ECOPACK® is an ST trademark.

### 2.1 DPAK package information

Figure 14. DPAK package outline

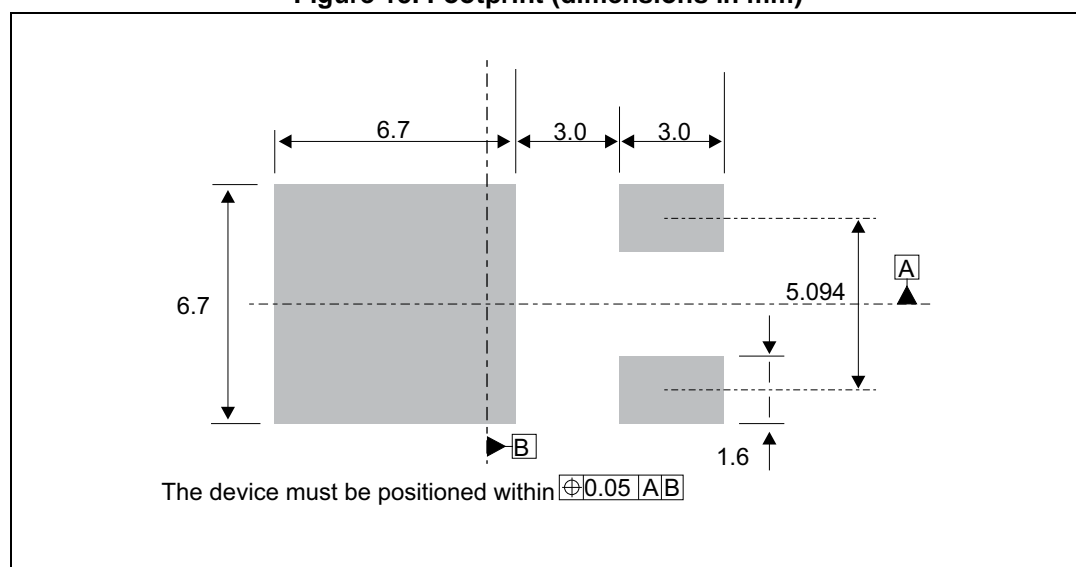


Note: This package drawing may slightly differ from the physical package. However, all the specified dimensions are guaranteed.

Table 5. DPAK package mechanical data

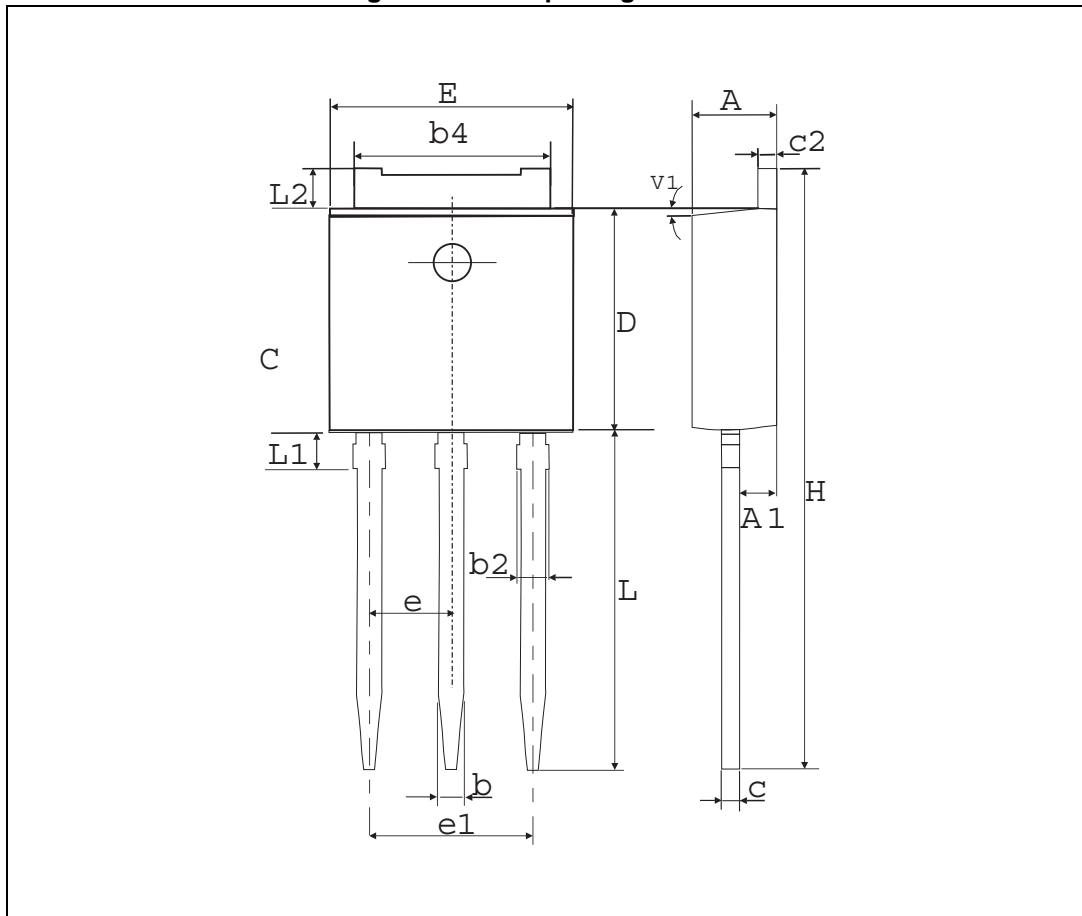
Ref.	Dimensions					
	Millimeters			Inches		
	Min.	Typ.	Max.	Min.	Typ.	Max.
A	2.18		2.40	0.086		0.094
A1	0.90		1.10	0.035		0.043
A2	0.03		0.23	0.001		0.009
b	0.64		0.90	0.025		0.035
b4	4.95		5.46	0.195		0.215
c	0.46		0.61	0.018		0.024
c2	0.46		0.60	0.018		0.023
D	5.97		6.22	0.235		0.244
D1	5.10			0.201		
E	6.35		6.73	0.250		0.264
E1		4.32			0.170	
e1	4.40		4.70	0.173		0.185
H	9.35		10.40	0.368		0.409
L	1.00		1.78	0.039		0.070
L2			1.27			0.05
L4	0.60		1.02	0.023		0.040
V2	0°		8°	0°		8°

Figure 15. Footprint (dimensions in mm)



## 2.2 IPAK package information

Figure 16. IPAK package outline



Note: This package drawing may slightly differ from the physical package. However, all the specified dimensions are guaranteed.



Table 6. IPAK package mechanical data

Ref.	Dimensions					
	Millimeters			Inches		
	Min.	Typ.	Max.	Min.	Typ.	Max.
A	2.20		2.40	0.086		0.094
A1	0.90		1.10	0.035		0.043
b	0.64		0.90	0.025		0.035
b2			0.95			0.037
b4	5.20		5.43	0.204		0.213
c	0.45		0.60	0.017		0.023
c2	0.46		0.60	0.018		0.023
D	6		6.20	0.236		0.244
E	6.40		6.70	0.252		0.263
e		2.28			0.090	
e1	4.40		4.60	0.173		0.181
H		16.10			0.634	
L	9		9.60	0.354		0.377
L1	0.8		1.20	0.031		0.047
L2		0.80	1.25		0.031	0.049
V1		10°			10°	

### 2.3 TO-220AB package information

Figure 17. TO-220AB package outline

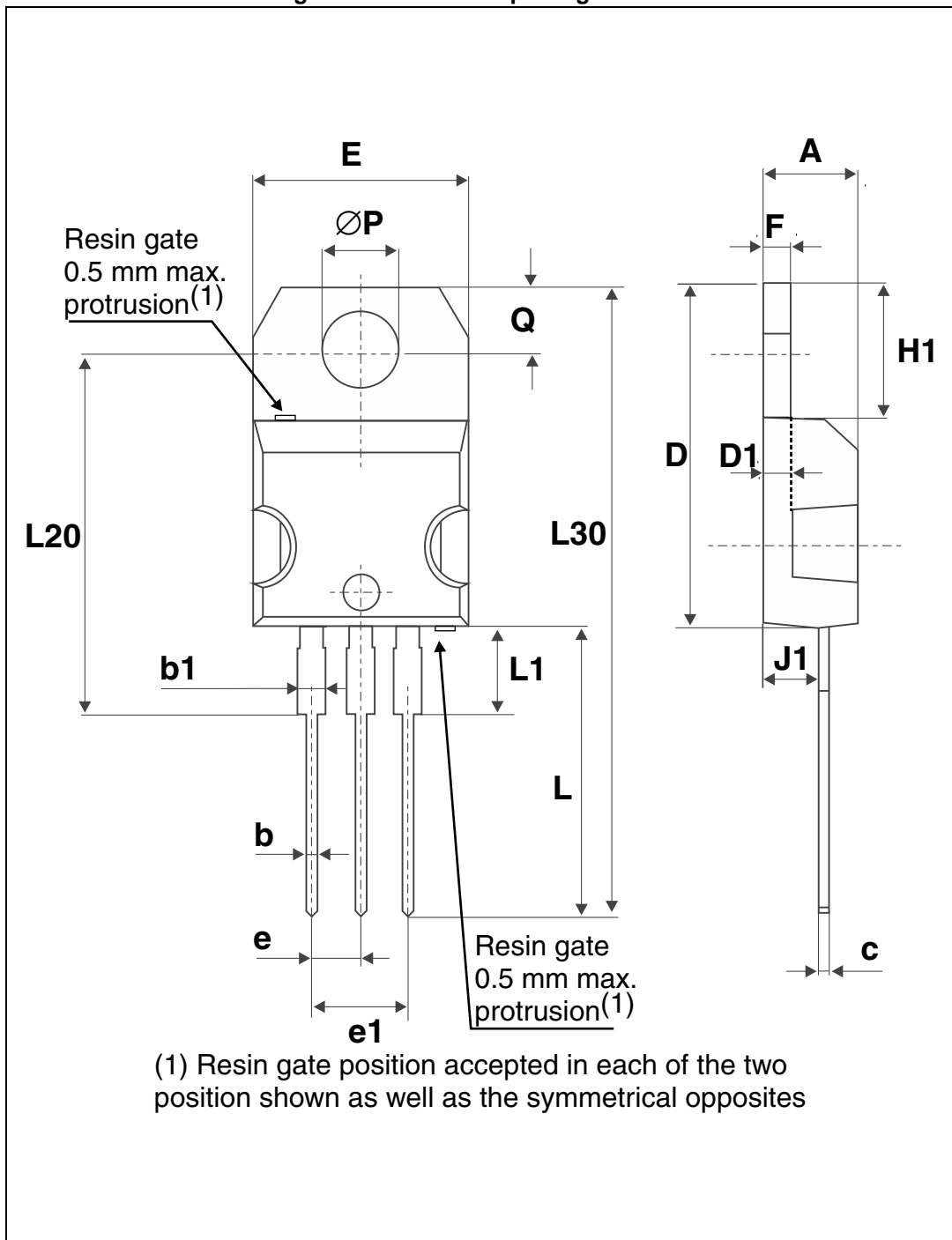


Table 7. TO-220AB package mechanical data

Ref.	Dimensions			
	Millimeters		Inches	
	Min.	Max.	Min.	Max.
A	4.40	4.60	0.17	0.18
b	0.61	0.88	0.024	0.035
b1	1.14	1.70	0.045	0.067
c	0.48	0.70	0.019	0.027
D	15.25	15.75	0.60	0.62
D1	1.27 typ.		0.05 typ.	
E	10	10.40	0.39	0.41
e	2.40	2.70	0.094	0.106
e1	4.95	5.15	0.19	0.20
F	1.23	1.32	0.048	0.052
H1	6.20	6.60	0.24	0.26
J1	2.40	2.72	0.094	0.107
L	13	14	0.51	0.55
L1	3.50	3.93	0.137	0.154
L20	16.40 typ.		0.64 typ.	
L30	28.90 typ.		1.13 typ.	
ØP	3.75	3.85	0.147	0.151
Q	2.65	2.95	0.104	0.116

### 3 Ordering information

Figure 18. TS1220 series

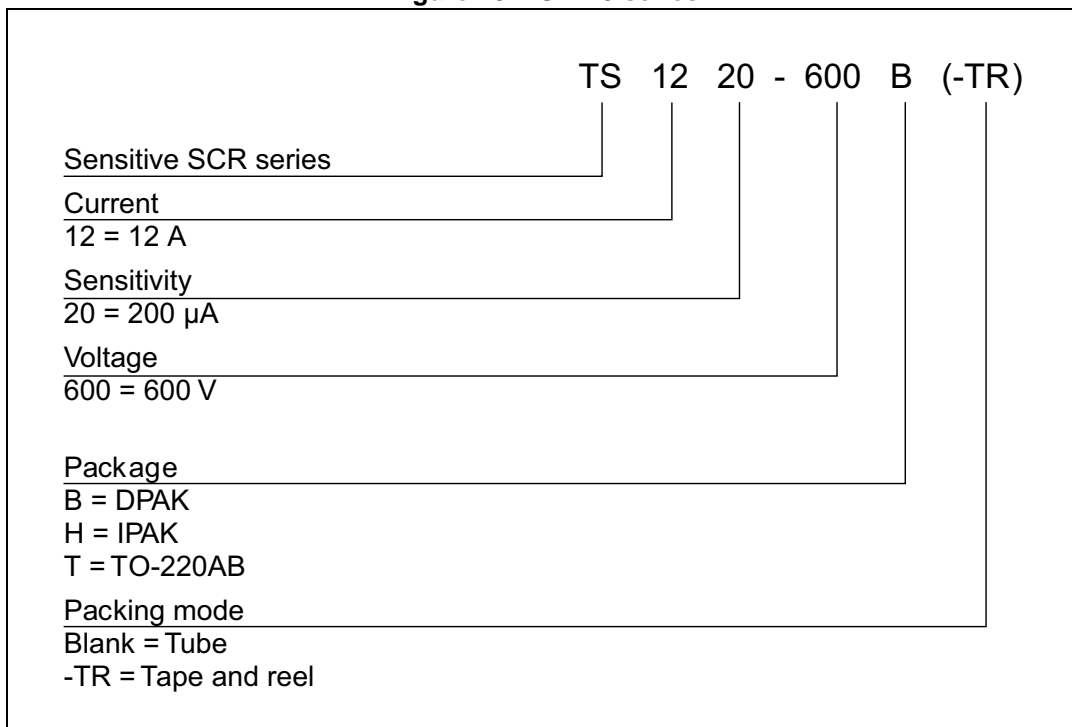


Table 8. Ordering information

Order code <sup>(1)</sup>	Marking <sup>(1)</sup>	Package	Weight	Base qty	Delivery mode
TS1220-600B	TS12 20600	DPAK	0.3 g	75	Tube
TS1220-600B-TR	TS12 20600	DPAK	0.3 g	2500	Tape and reel
TS1220-600H	TS12 20600	IPAK	0.3 g	75	Tube
TS1220-600T	TS1220600T	TO-220AB	2.3 g	50	Tube

1. x (6, 7, 8, 10) depends upon voltage

### 4 Revision history

Table 9. Document revision history

Date	Revision	Changes
08-Apr-2015	1	First issue.

**IMPORTANT NOTICE – PLEASE READ CAREFULLY**

STMicroelectronics NV and its subsidiaries (“ST”) reserve the right to make changes, corrections, enhancements, modifications, and improvements to ST products and/or to this document at any time without notice. Purchasers should obtain the latest relevant information on ST products before placing orders. ST products are sold pursuant to ST’s terms and conditions of sale in place at the time of order acknowledgement.

Purchasers are solely responsible for the choice, selection, and use of ST products and ST assumes no liability for application assistance or the design of Purchasers’ products.

No license, express or implied, to any intellectual property right is granted by ST herein.

Resale of ST products with provisions different from the information set forth herein shall void any warranty granted by ST for such product.

ST and the ST logo are trademarks of ST. All other product or service names are the property of their respective owners.

Information in this document supersedes and replaces information previously supplied in any prior versions of this document.

© 2015 STMicroelectronics – All rights reserved