

# DG506A/507A

## Single 16-Ch/Differential 8-Ch CMOS Analog Multiplexers

### Features

- Low On-Resistance: 240  $\Omega$
- TTL and CMOS Logic Compatible
- Low Power: 30 mW
- Break-Before-Make Switching
- 44-V Power Supply Rating
- Transition Time: 600 ns

### Benefits

- Easily Interfaced
- Low Power Consumption
- Low System Crosstalk
- Wide Analog Signal Range

### Applications

- Communication Systems
- ATE
- Data Acquisition Systems
- Audio Signal Routing and Multiplexing
- Medical Instrumentation

### Description

The DG506A, a 16-channel single-ended analog multiplexer, is designed to connect one of sixteen inputs to a common output as determined by a 4-bit binary address ( $A_0$ ,  $A_1$ ,  $A_2$ ,  $A_3$ ). The DG507A, a differential 8-channel analog multiplexer, is designed to connect one of eight differential inputs to a common differential outputs as determined by its 3-bit binary address ( $A_0$ ,  $A_1$ ,  $A_2$ ) logic. Break-before-make switching action protects against momentary shorting of the input signals.

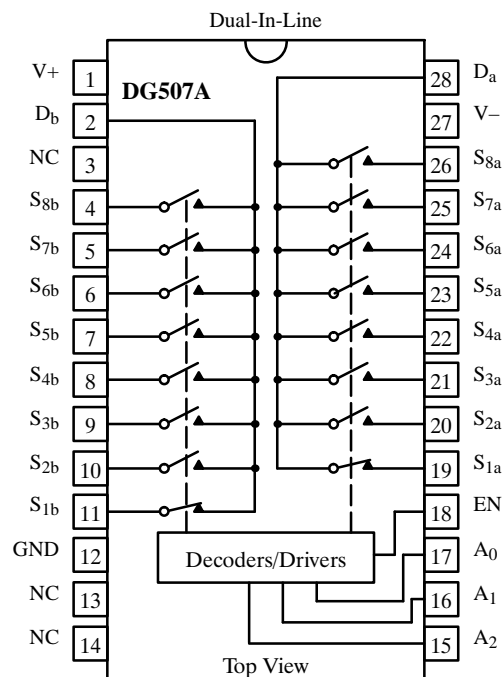
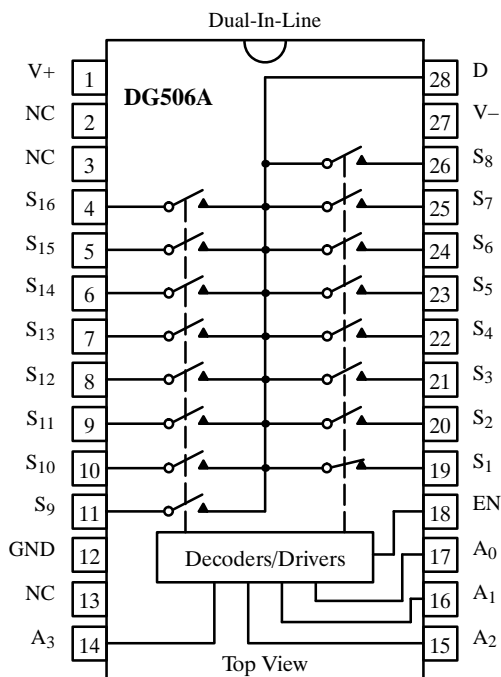
peak-to-peak. An enable (EN) function allows for device selection when several multiplexers are used. All control inputs, address ( $A_X$ ) and enable (EN) are TTL or CMOS compatible over the full specified operating temperature range.

The DG506A/507A are fabricated in the Siliconix PLUS-40 process, which includes improved ESD protection for ruggedness. An epitaxial layer prevents latch up.

A channel in the on state conducts current equally well in both directions. In the off state each channel blocks voltages up to the power supply rails, normally 30 V

For wideband/video multiplexing, the DG536 is recommended.

### Functional Block Diagrams and Pin Configurations



Updates to this data sheet may be obtained via facsimile by calling Siliconix FaxBack, 1-408-970-5600. Please request FaxBack document #70066.

# DG506A/507A

## Truth Tables and Ordering Information

Truth Table — DG506A

A <sub>3</sub>	A <sub>2</sub>	A <sub>1</sub>	A <sub>0</sub>	EN	On Switch
X	X	X	X	0	None
0	0	0	0	1	1
0	0	0	1	1	2
0	0	1	0	1	3
0	0	1	1	1	4
0	1	0	0	1	5
0	1	0	1	1	6
0	1	1	0	1	7
0	1	1	1	1	8
1	0	0	0	1	9
1	0	0	1	1	10
1	0	1	0	1	11
1	0	1	1	1	12
1	1	0	0	1	13
1	1	0	1	1	14
1	1	1	0	1	15
1	1	1	1	1	16

Truth Table — DG507A

A <sub>2</sub>	A <sub>1</sub>	A <sub>0</sub>	EN	On Switch
X	X	X	0	None
0	0	0	1	1
0	0	1	1	2
0	1	0	1	3
0	1	1	1	4
1	0	0	1	5
1	0	1	1	6
1	1	0	1	7
1	1	1	1	8

Logic "0" = V<sub>AL</sub> ≤ 0.8 V  
 Logic "1" = V<sub>AH</sub> ≥ 2.4 V  
 X = Don't Care

Ordering Information — DG506A

Temp Range	Package	Part Number
0 to 70°C	28-Pin Plastic DIP	DG506ACJ
	28-Pin CerDIP	DG506ACK
-25 to 85°C		DG506ABK
-40 to 85°C	28-Pin PLCC	DG506ADN
-55 to 125°C	28-Pin CerDIP	DG506AAK
		DG506AAK/883
	28-Pin Sidebrazed	JM38510/19001BXC
	LCC-20*	DG506AAZ/883

Ordering Information — DG507A

Temp Range	Package	Part Number
0 to 70°C	28-Pin Plastic DIP	DG507ACJ
-55 to 125°C	28-Pin CerDIP	DG507AAK
		DG507AAK/883
	28-Pin Sidebrazed	JM38510/19003BXC
	28-Pin LCC	DG507AAZ/883

\*Block Diagram and Pin Configuration not shown.

## Absolute Maximum Ratings

Voltage Referenced to V-

V+	44 V
GND	25 V
Digital Inputs <sup>a</sup> , V <sub>S</sub> , V <sub>D</sub>	(V-) -2 V to (V+) +2 V or 20 mA, whichever occurs first
Current (Any Terminal, Except S or D)	30 mA
Continuous Current, S or D	20 mA
Peak Current, S or D (Pulsed at 1 ms, 10% Duty Cycle Max)	40 mA
Storage Temperature (CerDIP)	-65 to 150°C
(Plastic DIP)	-65 to 125°C

Power Dissipation (Package)<sup>b</sup>

28-Pin Plastic DIP <sup>c</sup>	625 mW
28-Pin CerDIP and Sidebrazed	1200 mW
28-Pin PLCC <sup>c</sup>	1200 mW
LCC-20,28 <sup>d</sup>	1000 mW

Notes:

- Signals on S<sub>X</sub>, D<sub>X</sub> or I<sub>NX</sub> exceeding V+ or V- will be clamped by internal diodes. Limit forward diode current to maximum current ratings.
- All leads soldered or welded to PC board.
- Derate 8.3 mW/°C above 75°C.
- Derate 14 mW/°C above 75°C.

## Specifications<sup>a</sup>

Parameter	Symbol	Test Conditions Unless Otherwise Specified $V_+ = 15\text{ V}$ , $V_- = -15\text{ V}$ $V_{IN} = 2.4\text{ V}$ , $0.8\text{ V}^f$		Temp <sup>b</sup>	Typ <sup>c</sup>	A Suffix -55 to 125°C		B, C, D Suffix 0 to 70°C -25 to 85°C -40 to 85°C		Unit
						Min <sup>d</sup>	Max <sup>d</sup>	Min <sup>d</sup>	Max <sup>d</sup>	
<b>Analog Switch</b>										
Analog Signal Range <sup>e</sup>	$V_{ANALOG}$		Full			-15	15	-15	15	V
Drain-Source On-Resistance	$r_{DS(on)}$	$V_D = \pm 10\text{ V}$ , $I_S = -200\ \mu\text{A}$	Room Full	240			400 500		450 550	$\Omega$
$r_{DS(on)}$ Matching <sup>g</sup>	$\Delta r_{DS(on)}$	$-10\text{ V} < V_S < 10\text{ V}$	Room	6						%
Source Off Leakage Current	$I_{S(off)}$	$V_S = \pm 10\text{ V}$ , $V_D = \mp 10\text{ V}$ $V_{EN} = 0\text{ V}$	Room Full			-1 -50	1 50	-5 -50	5 50	nA
Drain Off Leakage Current	$I_{D(off)}$	$V_D = \mp 10\text{ V}$ $V_S = \pm 10\text{ V}$ $V_{EN} = 0\text{ V}$	DG506A	Room Full		-10 -300	10 300	-20 -300	20 300	
			DG507A	Room Full		-5 -200	5 200	-10 -200	10 200	
Drain On Leakage Current	$I_{D(on)}$	$V_S = V_D = \pm 10\text{ V}$	DG506A	Room Full		-10 -300	10 300	-20 -300	20 300	
			DG507A	Room Full		-5 -200	5 200	-10 -200	10 200	
<b>Digital Control</b>										
Logic Input Current Input Voltage High	$I_{AH}$	$V_A = 2.4\text{ V}$	Room Full			-10 -30		-10 -30		$\mu\text{A}$
		$V_A = 15\text{ V}$	Room Full				10 30		10 30	
Logic Input Current Input Voltage Low	$I_{AL}$	$V_{EN} = 0\text{ V}$ , $2.4\text{ V}$ , $V_A = 0\text{ V}$	Room Full			-10 -30		-10 -30		
<b>Dynamic Characteristics</b>										
Transition Time	$t_{TRANS}$	See Figure 2	Room	0.6			1			$\mu\text{s}$
Break-Before-Make Time	$t_{OPEN}$	See Figure 4	Room	0.2						
Enable Turn-On Time	$t_{ON(EN)}$	See Figure 3	Room	1						
Enable Turn-Off Time	$t_{OFF(EN)}$		Room	0.4						
Charge Injection	Q		Room	6						pC
Off Isolation <sup>h</sup>	OIRR	$V_{EN} = 0\text{ V}$ , $R_L = 1\text{ k}\Omega$ , $C_L = 15\text{ pF}$ $V_S = 7\text{ V}_{RMS}$ , $f = 500\text{ kHz}$	Room	68						dB
Source Off Capacitance	$C_{S(off)}$	$V_{EN} = 0\text{ V}$ , $V_S = 0\text{ V}$ , $f = 140\text{ kHz}$	Room	6						pF
Drain Off Capacitance	$C_{D(off)}$	$V_{EN} = 0\text{ V}$ $V_D = 0\text{ V}$ $f = 140\text{ kHz}$	DG506A	Room	45					
			DG507A	Room	23					
<b>Power Supplies</b>										
Positive Supply Current	I+	$V_{EN} = 0\text{ V}$ , $V_A = 0\text{ V}$	Room	1.3			2.4		2.4	mA
Negative Supply Current	I-		Room	-0.7	-1.5			-1.5		

Notes:

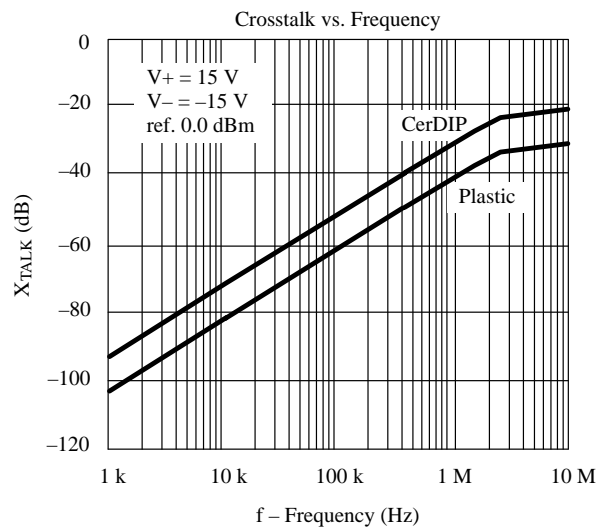
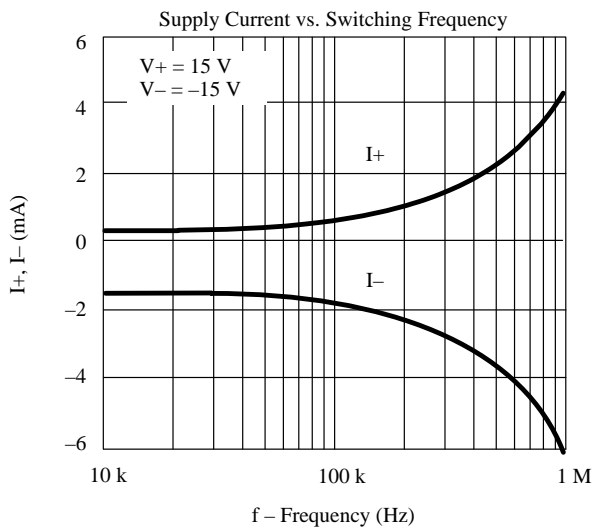
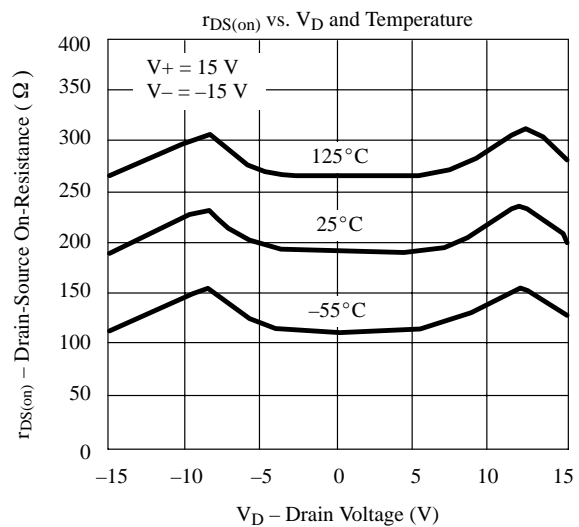
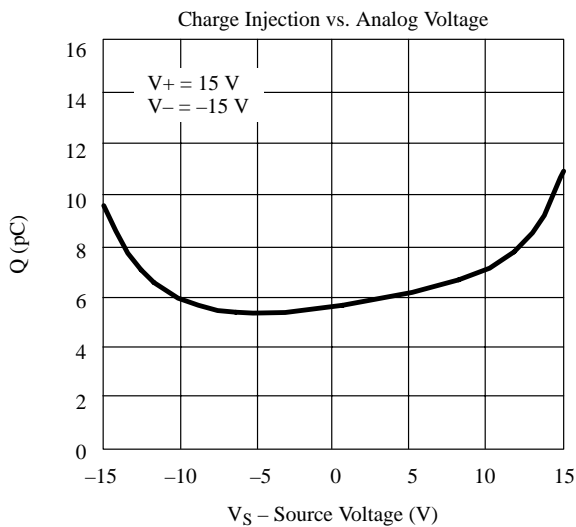
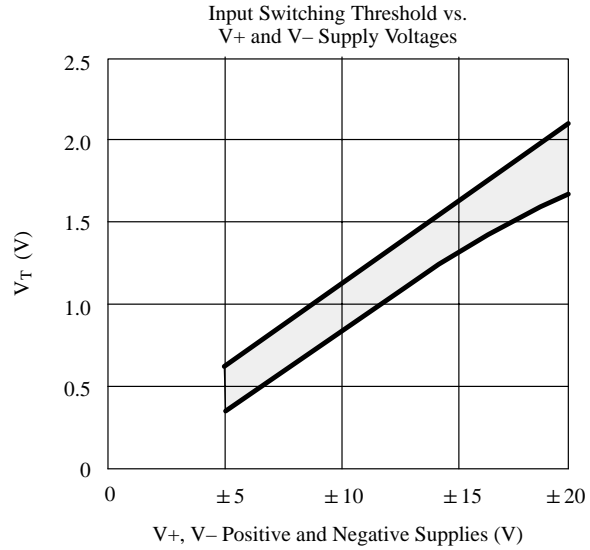
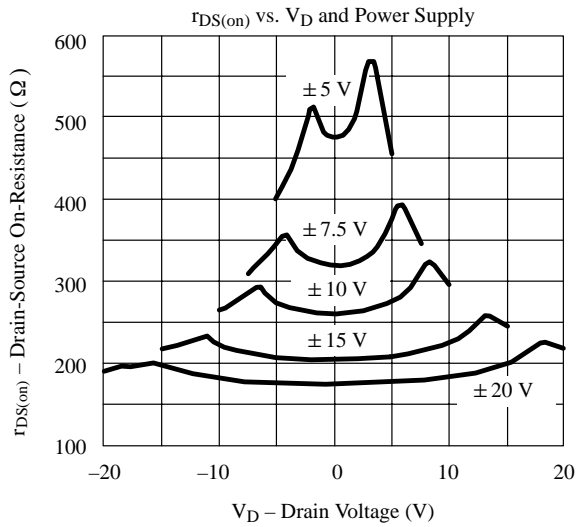
- Refer to PROCESS OPTION FLOWCHART.
- Room = 25°C, Full = as determined by the operating temperature suffix.
- Typical values are for DESIGN AID ONLY, not guaranteed nor subject to production testing.
- The algebraic convention whereby the most negative value is a minimum and the most positive a maximum, is used in this data sheet.
- Guaranteed by design, not subject to production test.
- $V_{IN}$  = input voltage to perform proper function.

$$g. \Delta r_{DS(on)} = \left( \frac{r_{DS(on)MAX} - r_{DS(on)MIN}}{r_{DS(on)AVE}} \right)$$

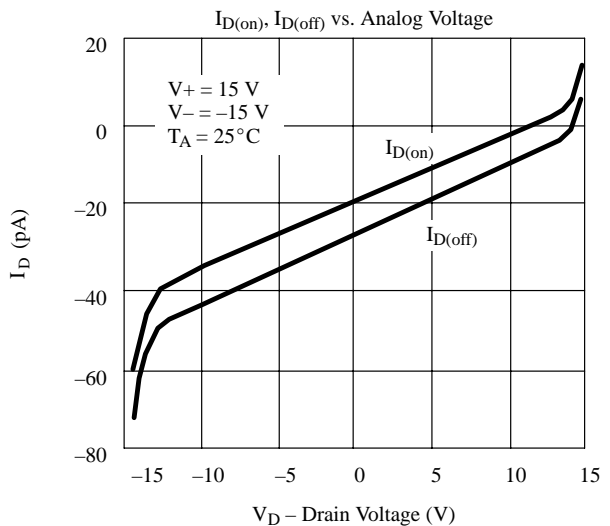
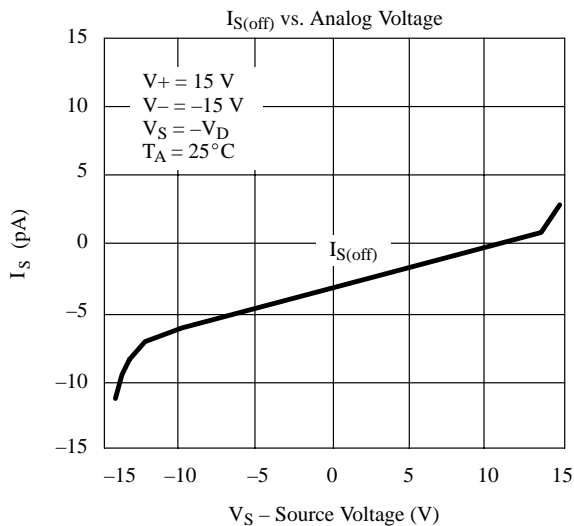
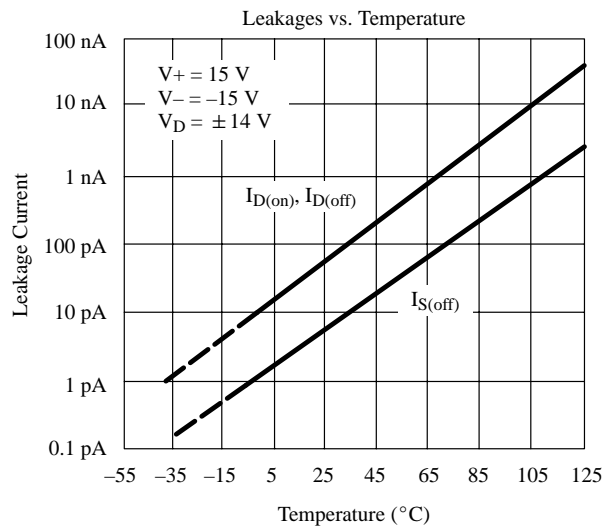
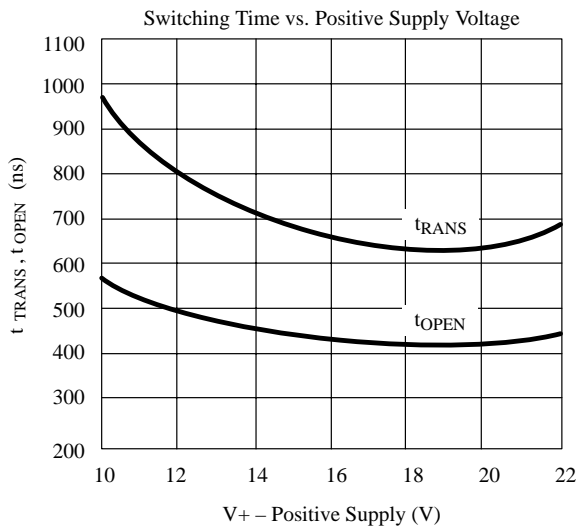
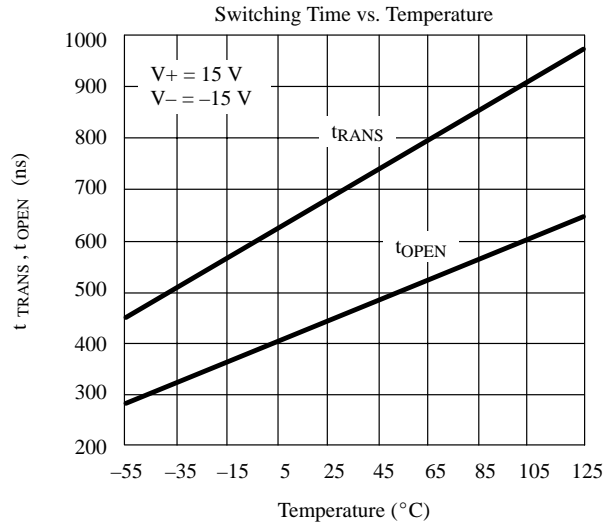
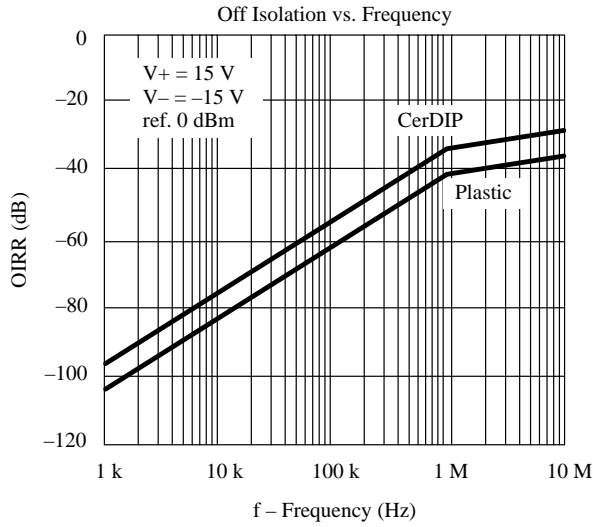
- Off isolation =  $20 \log \frac{V_D}{V_S}$ ,  $V_S$  = input to off switch,  $V_D$  = output due to  $V_S$ .

# DG506A/507A

## Typical Characteristics



## Typical Characteristics (Cont'd)



# DG506A/507A

## Schematic Diagram (Typical Channel)

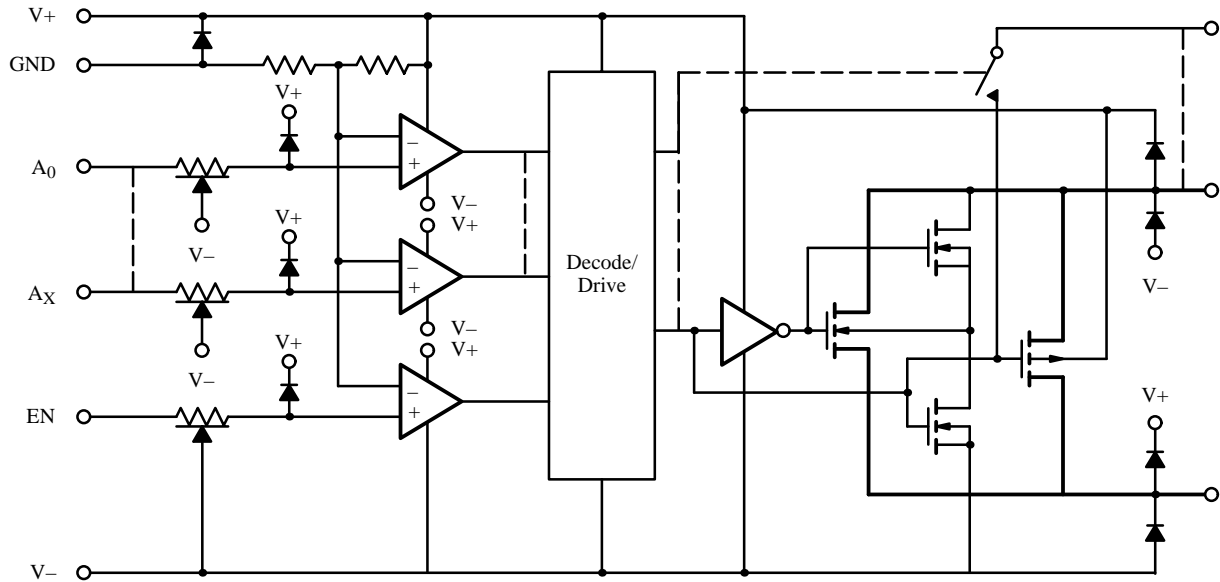
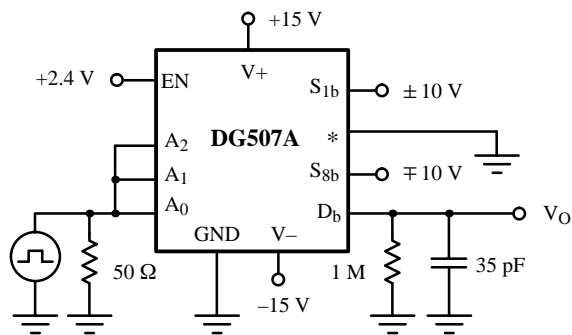
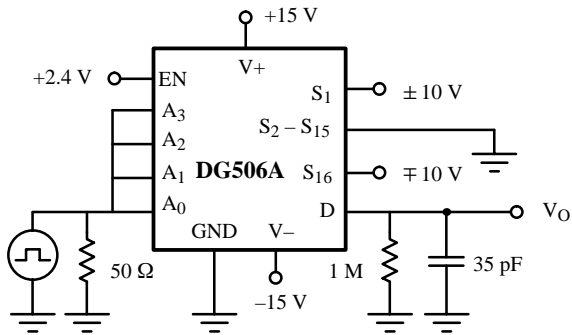


Figure 1.

## Test Circuits



\* = S<sub>1a</sub> - S<sub>8a</sub>, S<sub>2b</sub> - S<sub>7b</sub>, D<sub>a</sub>

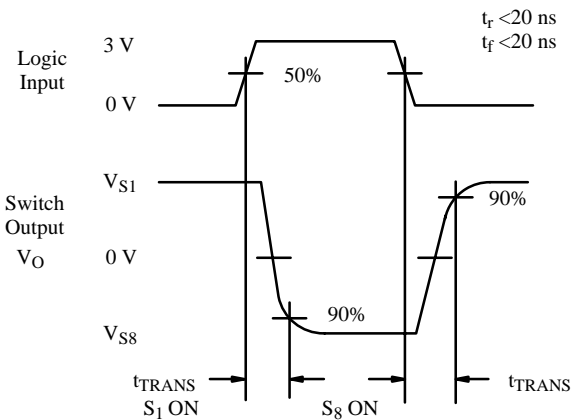


Figure 2. Transition Time

## Test Circuits (Cont'd)

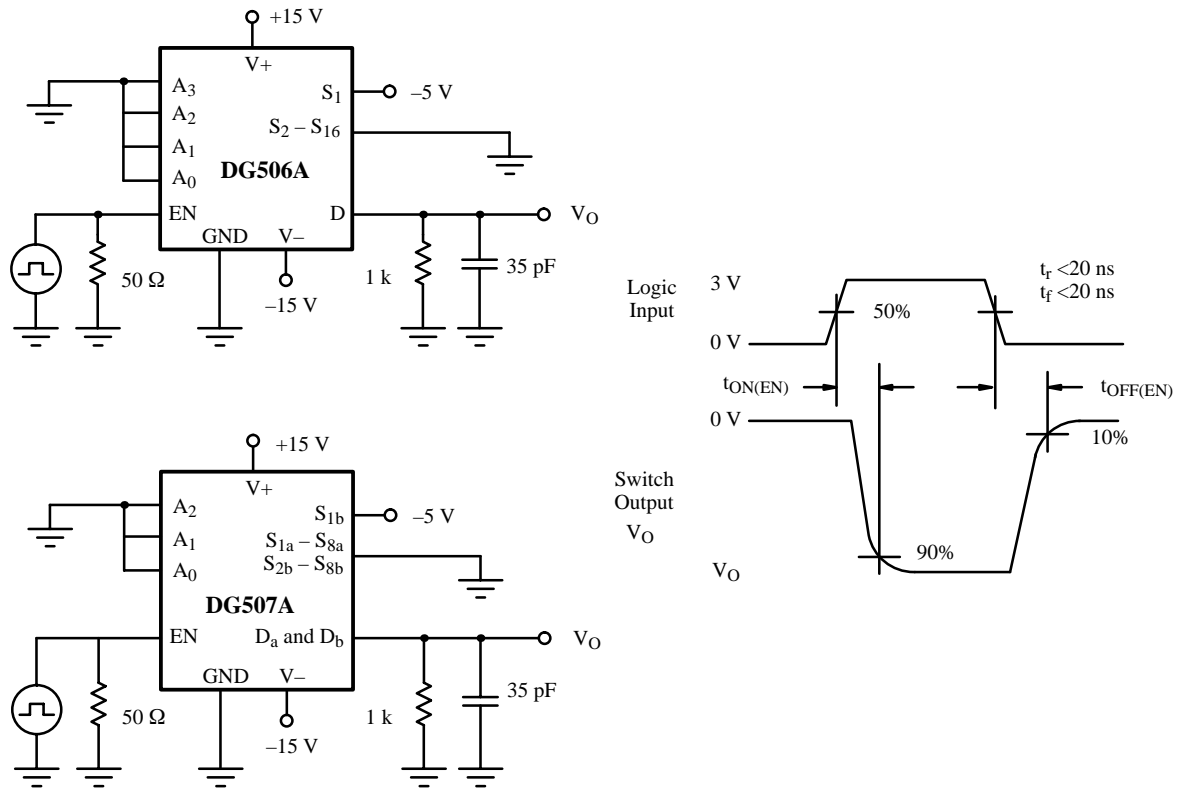


Figure 3. Enable Switching Time

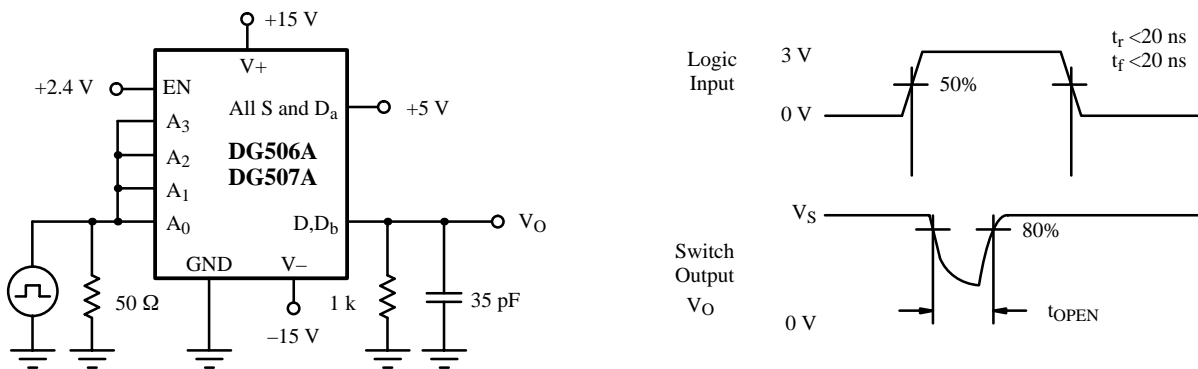


Figure 4. Break-Before-Make Interval

# DG506A/507A

## Application Hints<sup>a</sup>

V+ Positive Supply Voltage (V)	V- Negative Supply Voltage (V)	V <sub>IN</sub> Logic Input Voltage V <sub>INH(min)</sub> /V <sub>INL(max)</sub> (V)	V <sub>S</sub> or V <sub>D</sub> Analog Voltage Range (V)
15 <sup>b</sup>	-15	2.4/0.8	-15 to 15
12	-12	2.4/0.8	-12 to 12
10	-10	2.2/0.6	-10 to 10
8 <sup>c</sup>	-8	2.0/0.5	-8 to 8

Notes:

- Application Hints are for DESIGN AID ONLY, not guaranteed and not subject to production testing.
- Electrical Parameter Chart based on V+ = 15 V, V- = -15 V.
- Operation below ±8 V is not recommended due to shift in V<sub>INL(MAX)</sub>.

## Overvoltage Protection

A very convenient form of overvoltage protection consists of adding two small signal diodes (1N4148, 1N914 type) in series with the supply pins (see Figure 5). This arrangement effectively blocks the flow of reverse currents. It also floats the supply pin above or below the normal V+ or V- value. In this case the overvoltage signal actually becomes the power supply of the IC. From the point of view of the chip, nothing has changed, as long as the difference between V<sub>S</sub> and the V- rail doesn't exceed +44 V. The addition of these diodes will reduce the analog signal range to 1 V below V+ and 1 V above V-, but it preserves the low channel resistance and low leakage characteristics.

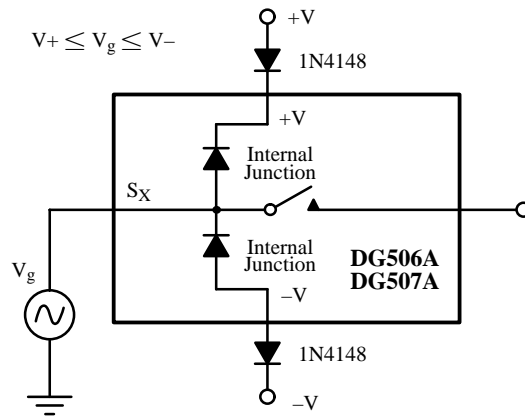


Figure 5. Overvoltage Protection Using Blocking Diodes

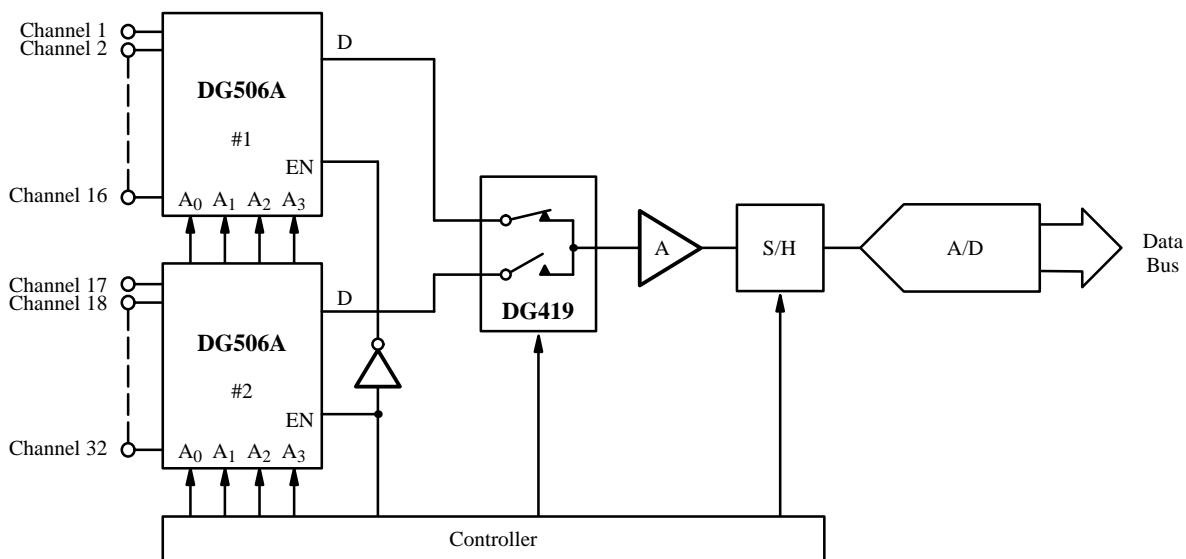


Figure 6. A 32-Channel Data Acquisition System