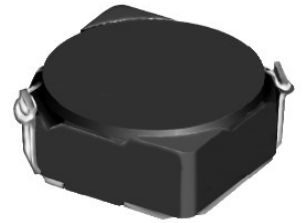
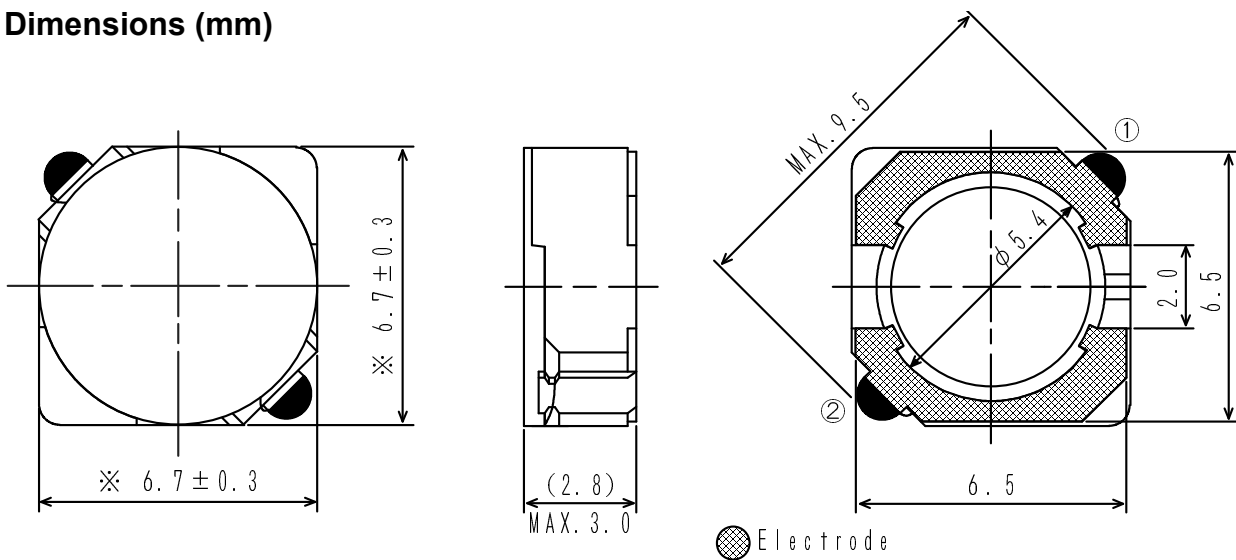
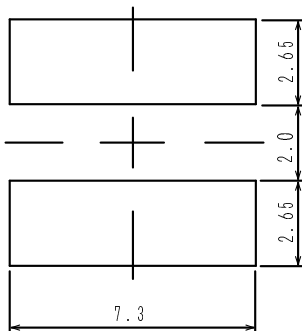


Type: CDRH6D28
◆ Product Description

- 7.0×7.0mm Max.(L×W), 3.0mm Max. Height.
- Inductance range: 3.0~100 μ H.
- Rated current range: 0.54~3.0A.
- In addition to the standards versions shown here, custom inductors are also available to meet your exact requirements.


◆ Feature

- Magnetically shielded construction.
- Storage temperature range: -40°C~+100°C.
- Operating temperature range: -40°C~+100°C (Including coil's self temperature rise).
- Ideally used in MP3, PDA ,HDD,DSC/DVC, Notebook PC etc as DC-DC converter inductors.
- RoHS compliance and Halogen Free.

◆ Dimensions (mm)

◆ Land Pattern (mm)


Type: CDRH6D28
◆ Specification

Part Name ※	Stamp	Inductance (μ H) 10kHz/1V	D.C.R.(Ω) Max.(Typ.) (at 20°C)	Rated Current (A) ※1
CDRH6D28NP-3R0N□	3R0	3.0±30%	24m (18m)	3.00
CDRH6D28NP-3R9N□	3R9	3.9±30%	27m (20m)	2.60
CDRH6D28NP-5R0N□	5R0	5.0±30%	31m (23m)	2.40
CDRH6D28NP-6R0N□	6R0	6.0±30%	35m (26m)	2.25
CDRH6D28NP-7R3N□	7R3	7.3±30%	54m (40m)	2.10
CDRH6D28NP-8R6N□	8R6	8.6±30%	58m (43m)	1.85
CDRH6D28NP-100N□	100	10±30%	65m (48m)	1.70
CDRH6D28NP-120N□	120	12±30%	70m (52m)	1.55
CDRH6D28NP-150N□	150	15±30%	84m (62m)	1.40
CDRH6D28NP-180N□	180	18±30%	95m (70m)	1.32
CDRH6D28NP-220N□	220	22±30%	128m (95m)	1.20
CDRH6D28NP-270N□	270	27±30%	142m(105m)	1.05
CDRH6D28NP-330N□	330	33±30%	165m(122m)	0.97
CDRH6D28NP-390N□	390	39±30%	210m(156m)	0.86
CDRH6D28NP-470N□	470	47±30%	238m(176m)	0.80
CDRH6D28NP-560N□	560	56±30%	277m(205m)	0.73
CDRH6D28NP-680N□	680	68±30%	304m(225m)	0.65
CDRH6D28NP-820N□	820	82±30%	390m(290m)	0.60
CDRH6D28NP-101N□	101	100±30%	535m(397m)	0.54

※ Description of part name

CDRH6D28NP-3R0N□

- B Box
- C Carrier Tape

※1. Rated current: The DC current at which the inductance decreases to 65% of it's nominal value or when $\Delta t=30^{\circ}\text{C}$, whichever is lower($T_a=20^{\circ}\text{C}$).