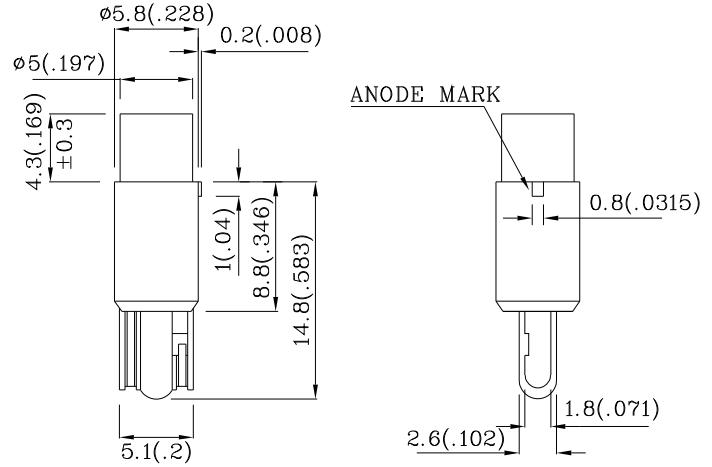


PRELIMINARY SPEC

Features

- LONG LIFE, SOLID STATE.
- WITH BUILT-IN RESISTOR FOR 24V DC APPLICATION.
- WEDGE BASE, EASY INSTALLATION & REPLACEMENT.
- UL RATING : 94V-0.
- HOUSING MATERIAL: TYPE 66 NYLON.
- 24V INTERNAL RESISTOR.



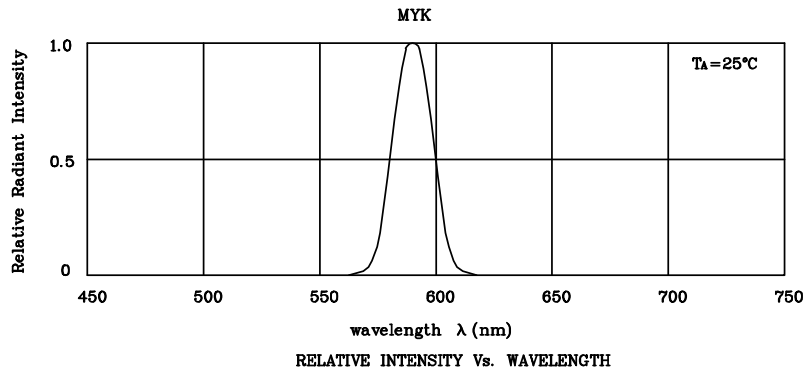
Notes:

1. All dimensions are in millimeters (inches).
2. Tolerance is $\pm 0.25(0.01)$ " unless otherwise noted.
3. Specifications are subject to change without notice.

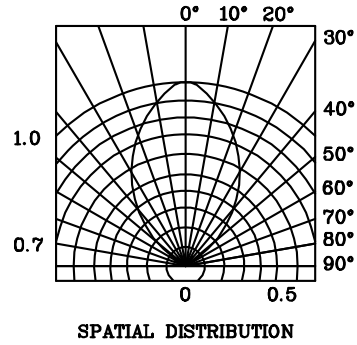
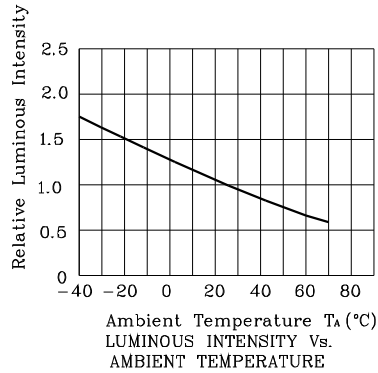
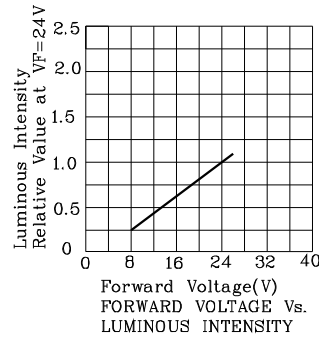
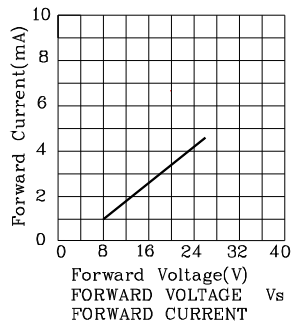
Absolute Maximum Ratings (TA=25°C)		MYK (InGaAlP)	Unit
Reverse Voltage	V _R	5	V
Forward Voltage	V _F	26	V
Power Dissipation	P _T	135	mW
Operating Temperature	T _A	-40 ~ +70	°C
Storage Temperature	T _{stg}	-40 ~ +85	°C
Lead Solder Temperature [2mm Below Package Base]	260°C For 3 Seconds		
Lead Solder Temperature [5mm Below Package Base]	260°C For 5 Seconds		

Operating Characteristics (TA=25°C)		MYK (InGaAlP)	Unit
Forward Current (Typ.) (V _F =24V)	I _F	4.2	V
Forward Current (Max.) (V _F =24V)	I _F	6.0	V
Reverse Current (Max.) (V _R =5V)	I _R	10	uA
Wavelength of Peak Emission (Typ.) (V _F =24V)	λ P	590	nm
Wavelength of Dominant Emission (Typ.) (V _F =24V)	λ D	590	nm
Spectral Line Full Width At Half-Maximum (Typ.) (V _F =24V)	$\Delta\lambda$	20	nm

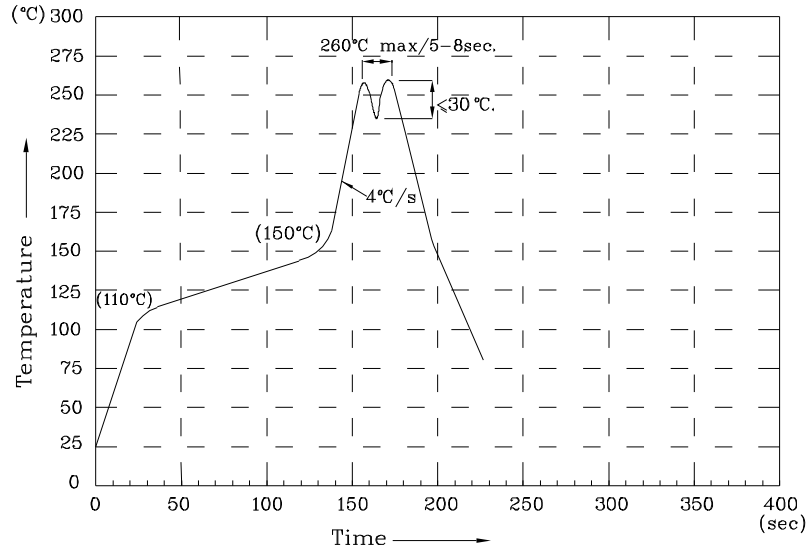
Part Number	Emitting Color	Emitting Material	Lens-color	Luminous Intensity (V=24V) mcd		Wavelength nm λ P	Viewing Angle 2 θ 1/2
				min.	typ.		
XNZSMYK52W24V02	Yellow	InGaAlP	Water Clear	12	44	590	70°



❖ MYK



Wave Soldering Profile For Lead-free Through-hole LED.



NOTES:

1. Recommend the wave temperature 245°C~260°C. The maximum soldering temperature should be less than 260°C.
2. Do not apply stress on epoxy resins when temperature is over 85 degree°C.
3. The soldering profile apply to the lead free soldering (Sn/Cu/Ag alloy).
4. No more than once.

Remarks:

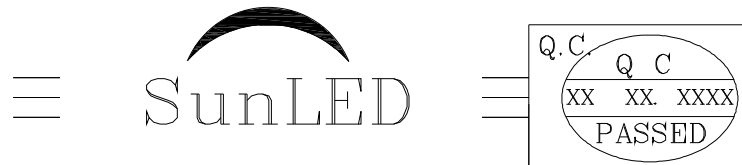
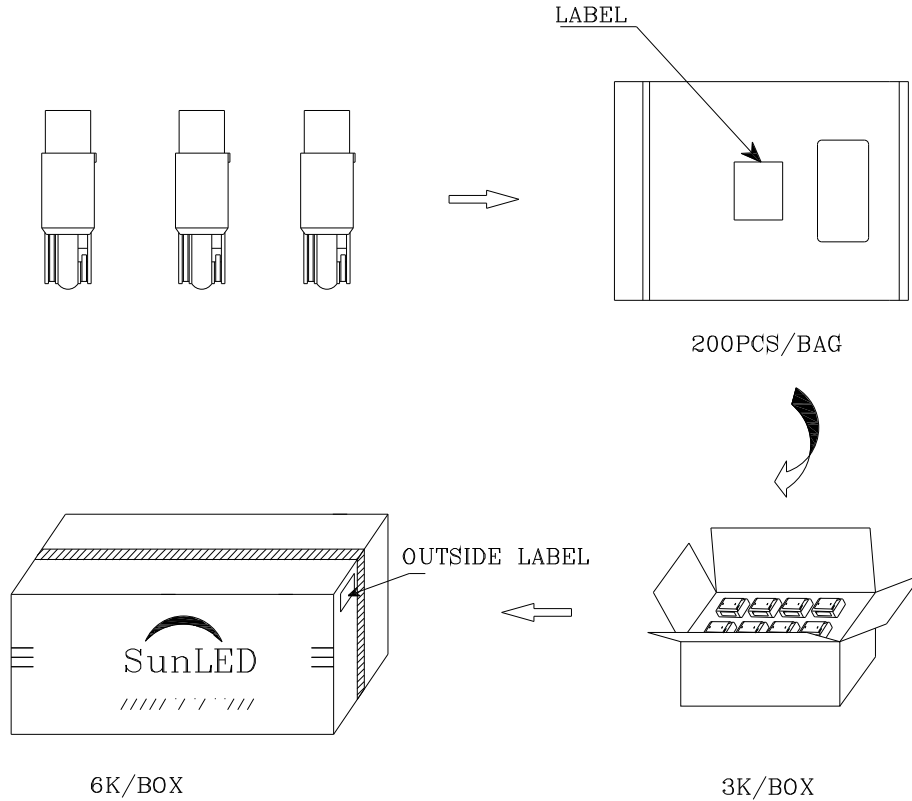
If special sorting is required (e.g. binning based on Luminous intensity / luminous flux, or wavelength), the typical accuracy of the sorting process is as follows:


1. Wavelength: +/-1nm
2. Luminous Intensity / Luminous Flux: +/-15%

Note: Accuracy may depend on the sorting parameters.

PACKING & LABEL SPECIFICATIONS

XNZSMYK52W24V02



P/N0 : XNZSxxx52xx02	
QTY : 200 pcs	CODE: XXX
S/N : XX	
LOT NO:	
 XXXXXXXXXXXXXXXXXXXXXXXX	
RoHS Compliant	