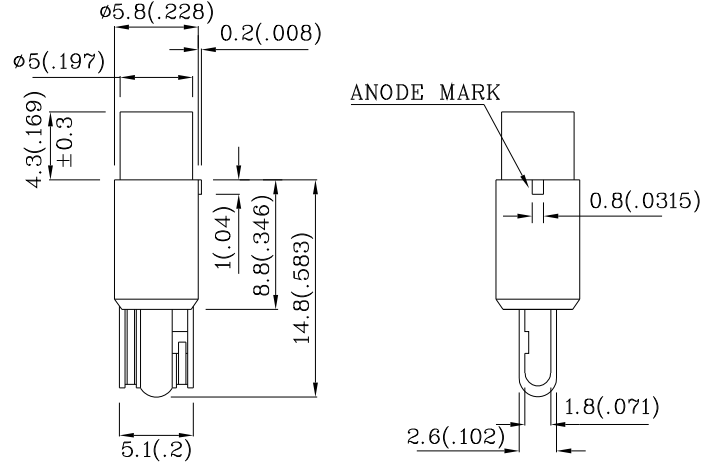


PRELIMINARY SPEC

**Features**

- LONG LIFE, SOLID STATE.
- WITH BUILT-IN RESISTOR FOR 5V DC APPLICATION.
- WEDGE BASE, EASY INSTALLATION & REPLACEMENT.
- UL RATING : 94V-0.
- HOUSING MATERIAL: TYPE 66 NYLON.
- 5V INTERNAL RESISTOR.



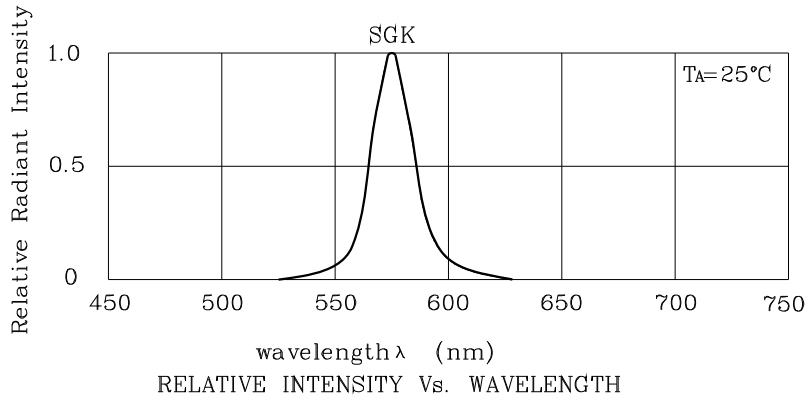
Notes:

1. All dimensions are in millimeters (inches).
2. Tolerance is  $\pm 0.25(0.01)$  unless otherwise noted.
3. Specifications are subject to change without notice.

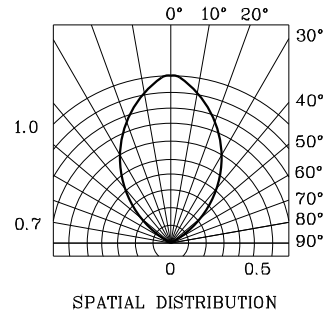
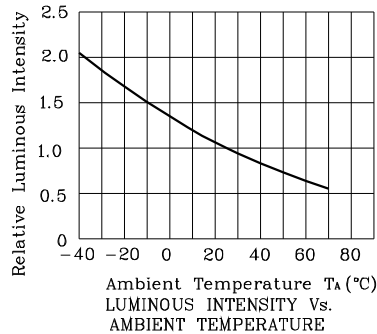
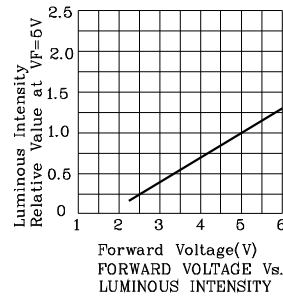
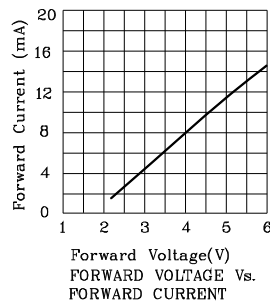
Absolute Maximum Ratings ( $T_A=25^\circ\text{C}$ )		SGK (InGaAlP)	Unit
Reverse Voltage	$V_R$	5	V
Forward Current	$I_F$	6	V
Power Dissipation	$P_T$	85	mW
Operating Temperature	$T_A$	-40 ~ +70	°C
Storage Temperature	$T_{stg}$	-40 ~ +85	
Lead Solder Temperature [2mm Below Package Base]	260°C For 3 Seconds		
Lead Solder Temperature [5mm Below Package Base]	260°C For 5 Seconds		

Operating Characteristics ( $T_A=25^\circ\text{C}$ )		SGK (InGaAlP)	Unit
Forward Current (Typ.) ( $V_F=5V$ )	$I_F$	11.5	mA
Forward Current (Max.) ( $V_F=5V$ )	$I_F$	17.5	mA
Reverse Current (Max.) ( $V_R=5V$ )	$I_R$	10	uA
Wavelength of Peak Emission (Typ.) ( $V_F=5V$ )	$\lambda_P$	574	nm
Wavelength of Dominant Emission (Typ.) ( $V_F=5V$ )	$\lambda_D$	570	nm
Spectral Line Full Width At Half-Maximum (Typ.) ( $V_F=5V$ )	$\Delta\lambda$	20	nm

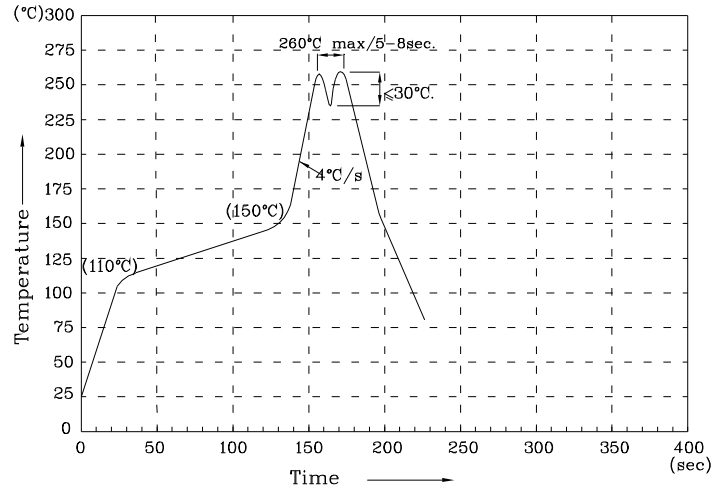
Part Number	Emitting Color	Emitting Material	Lens-color	Luminous Intensity ( $V=5V$ ) mcd		Wavelength nm $\lambda_P$	Viewing Angle 2 $\theta$ 1/2
				min.	typ.		
XNZSSGK52W5V02	Green	InGaAlP	Water Clear	12	59	574	70°
Published Date : JAN 26, 2008      Drawing No : XDSA9763      V2      Checked : B.L.LIU      P.1/4							



❖ SGK



Wave Soldering Profile For Lead-free Through-hole LED.



NOTES:

1. Recommend the wave temperature 245°C~260°C. The maximum soldering temperature should be less than 260°C.
2. Do not apply stress on epoxy resins when temperature is over 85 degree°C.
3. The soldering profile apply to the lead free soldering (Sn/Cu/Ag alloy).
4. No more than once.

Remarks:

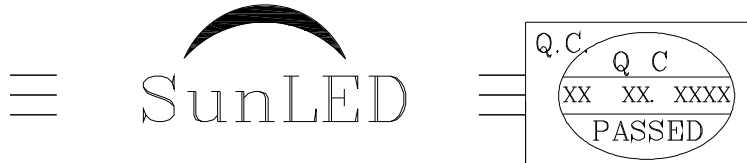
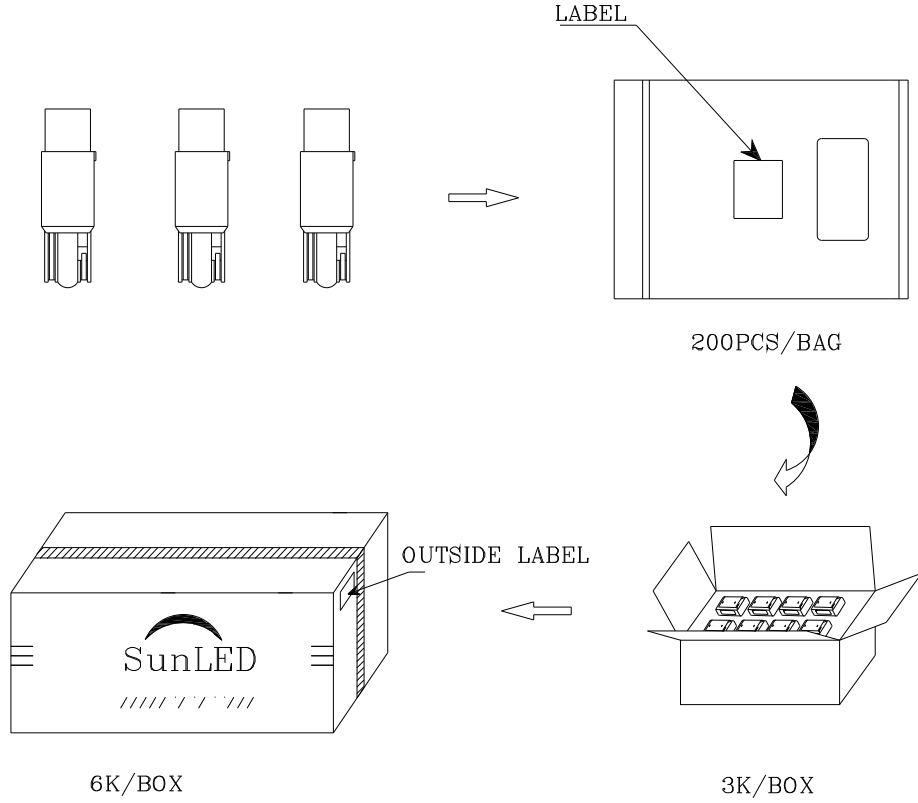
If special sorting is required (e.g. binning based on Luminous intensity / luminous flux, or wavelength), the typical accuracy of the sorting process is as follows:


1. Wavelength: +/-1nm
2. Luminous Intensity / Luminous Flux: +/-15%

Note: Accuracy may depend on the sorting parameters.

**PACKING & LABEL SPECIFICATIONS**

**XNZSSGK52W5V02**



P/NO : XNZSxxx52xx02	
QTY : 200 pcs	CODE: XXX
S/N : XX	
LOT NO:	
 XXXXXXXXXXXXXXXXXXXXXXXXXXXX	
RoHS Compliant	