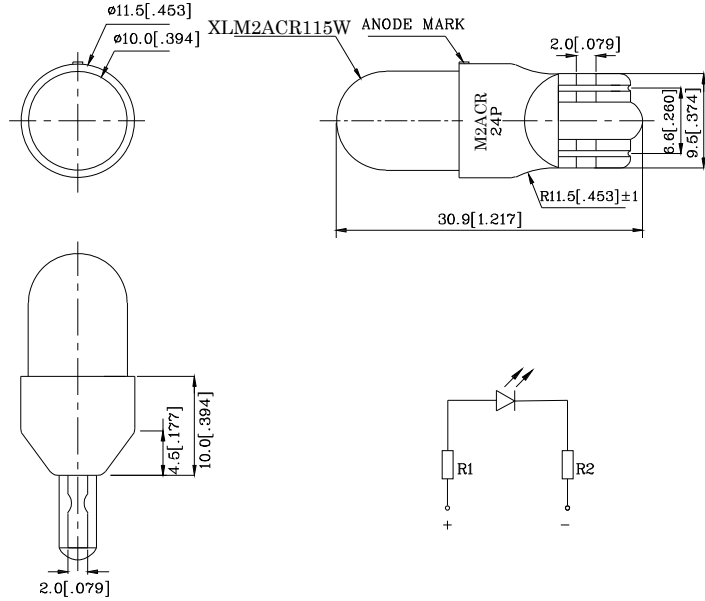


PRELIMINARY SPEC

Features

- Built-in current limiting resistor for direct application of different across current.
- Long life.
- Low current, power savings.
- Low maintenance.
- Solid state, high vibration resistant.
- 24V internal resistor.
- RoHS compliant.



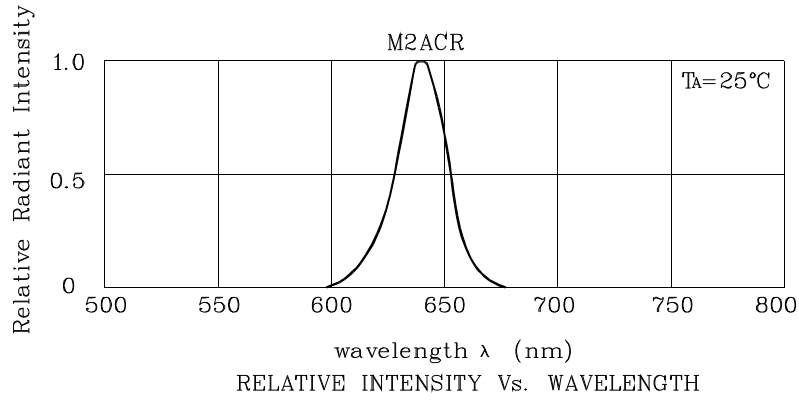
Notes:

1. All dimensions are in millimeters (inches).
2. Tolerance is $\pm 0.25(0.01)$ " unless otherwise noted.
3. Specifications are subject to change without notice.

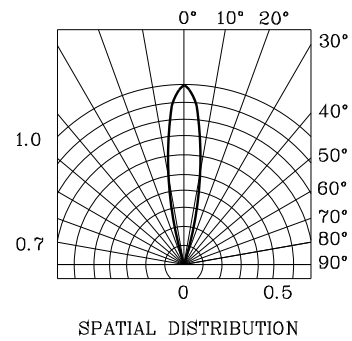
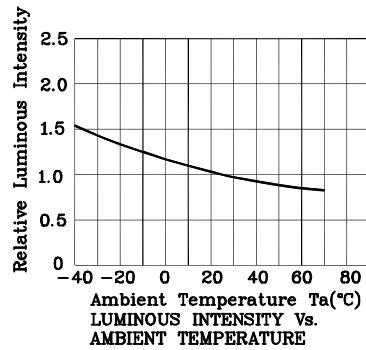
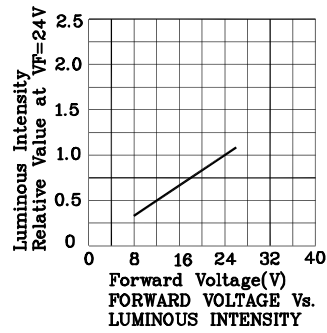
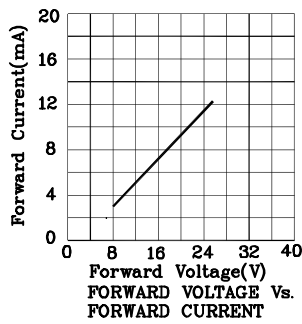
Absolute Maximum Ratings ($T_A=25^\circ\text{C}$)		M2ACR (AlGaInP)	Unit
Reverse Voltage	V_R	5	V
Forward Voltage	V_F	26	V
Power Dissipation	P_T	390	mW
Operating Temperature	T_A	-40 ~ +70	°C
Storage Temperature	T_{stg}	-40 ~ +85	

Operating Characteristics ($T_A=25^\circ\text{C}$)		M2ACR (AlGaInP)	Unit
Forward Current (Typ.) ($V_F=24\text{V}$)	I_F	11.5	mA
Forward Current (Max.) ($V_F=24\text{V}$)	I_F	15	mA
Reverse Current (Max.) ($V_R=5\text{V}$)	I_R	10	uA
Wavelength of Peak Emission (Typ.) ($V_F=24\text{V}$)	λ_P	640	nm
Wavelength of Dominant Emission (Typ.) ($V_F=24\text{V}$)	λ_D	625	nm
Spectral Line Full Width At Half-Maximum (Typ.) ($V_F=24\text{V}$)	$\Delta\lambda$	25	nm

Part Number	Emitting Color	Emitting Material	Lens-color	Luminous Intensity ($V=24\text{V}$) mcd		Wavelength nm λ_P	Viewing Angle 2θ 1/2
				min.	typ.		
XYWM2ACR101W24V	Red	AlGaInP	Water Clear	3300	5490	640	20 °

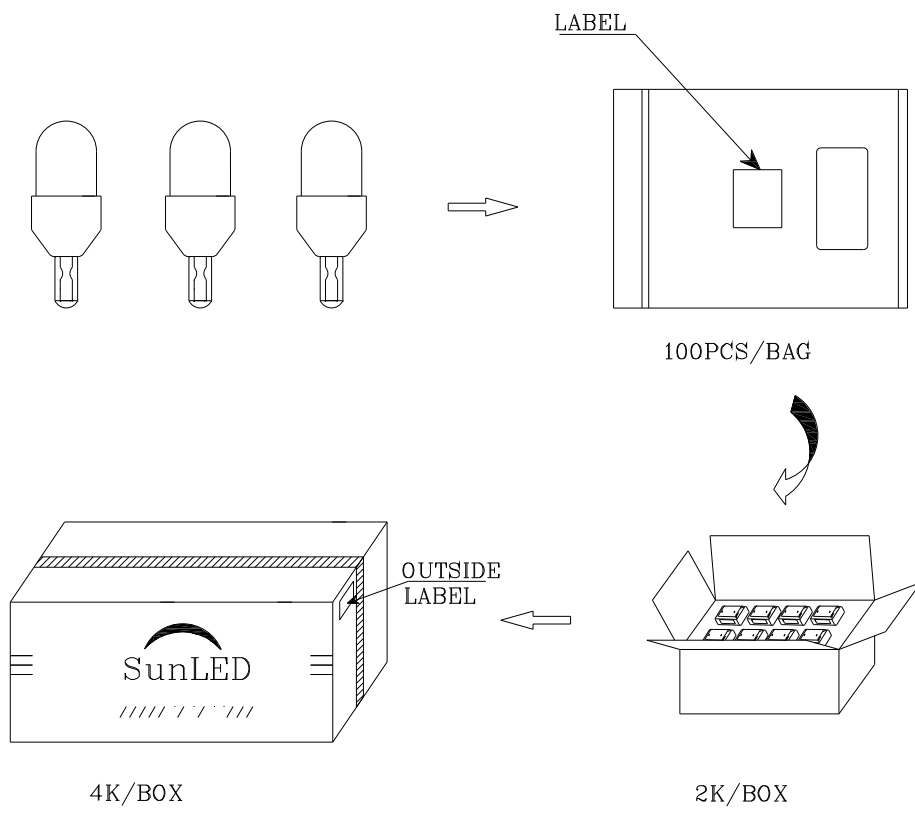



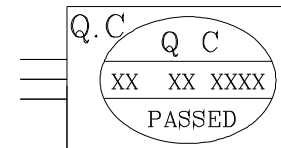

❖ M2ACR



PACKING & LABEL SPECIFICATIONS

XYWM2ACR101W24V



		
P/N0 : XYWxxx101x		
QTY : 100 pcs	CODE: XXX	
S/N : XX		
LOT NO:		
 XXXXXXXXXXXXXXXXXXXXXXXX		
RoHS Compliant		