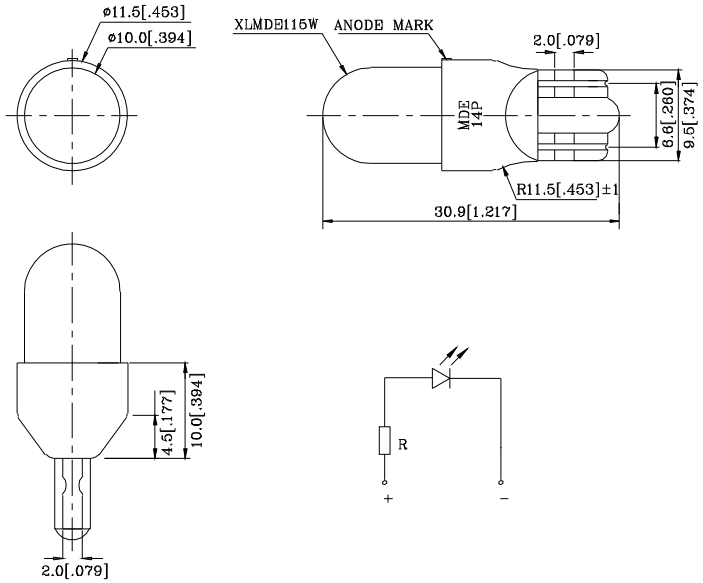


PRELIMINARY SPEC

Features

- BUILT-IN CURRENT LIMITING RESISTOR FOR DIRECT APPLICATION OF DIFFERENT ACROSS CURRENT.
- LONG LIFE.
- LOW CURRENT, POWER SAVINGS.
- LOW MAINTENANCE.
- SOLID STATE, HIGH VIBRATION RESISTANT.
- 14V INTERNAL RESISTOR.
- RoHS COMPLIANT.



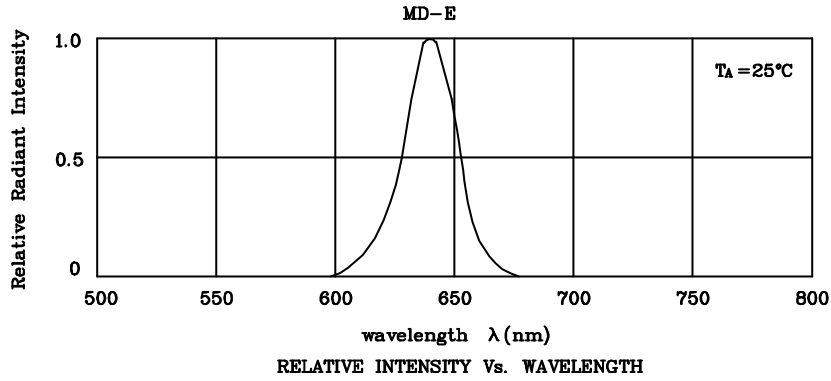
Notes:

1. All dimensions are in millimeters (inches).
2. Tolerance is $\pm 0.25(0.01)$ unless otherwise noted.
3. Specifications are subject to change without notice.

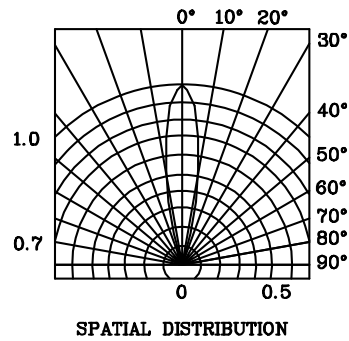
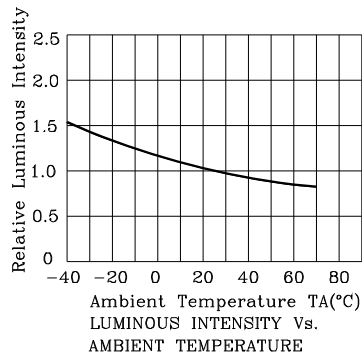
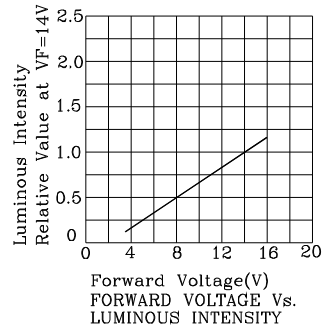
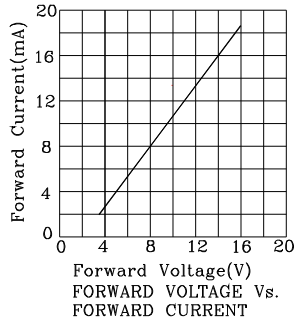
Absolute Maximum Ratings (TA=25°C)		MD-E (InGaAlP)	Unit
Reverse Voltage	VR	5	V
Forward Voltage	VF	16	V
Power Dissipation	PT	320	mW
Operating Temperature	TA	-40 ~ +70	°C
Storage Temperature	Tstg	-40 ~ +85	

Operating Characteristics (TA=25°C)		MD-E (InGaAlP)	Unit
Forward Current (Typ.) (VF=14V)	IF	16	mA
Forward Current (Max.) (VF=14V)	IF	20	mA
Reverse Current (Max.) (VR=5V)	IR	10	uA
Wavelength of Peak Emission (Typ.) (VF=14V)	λP	640	nm
Wavelength of Dominant Emission (Typ.) (VF=14V)	λD	630	nm
Spectral Line Full Width At Half-Maximum (Typ.) (VF=14V)	$\Delta\lambda$	25	nm

Part Number	Emitting Color	Emitting Material	Lens-color	Luminous Intensity (V=14V) med		Wavelength nm λP	Viewing Angle 2 θ 1/2
				min.	typ.		
XYWMDE101W14V	Red	InGaAlP	Water Clear	1500	2690	640	20°

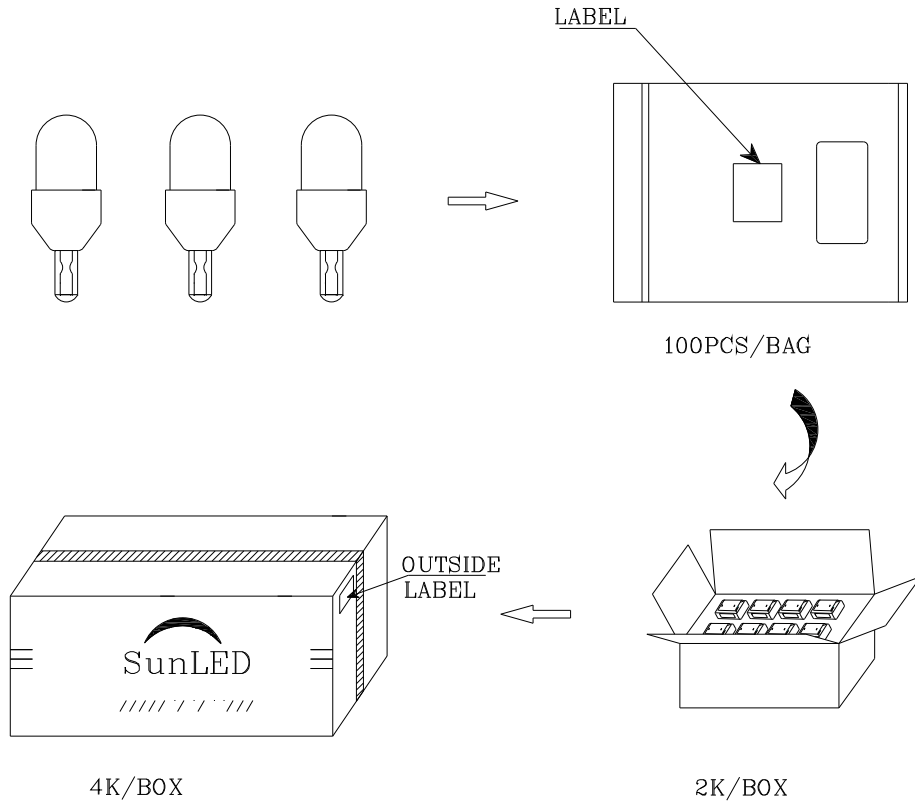



❖ MD-E



PACKING & LABEL SPECIFICATIONS

XYWMDE101W14V



P/N0 : XYWxxx101x	
QTY : 100 pcs	CODE: XXX
S/N : XX	
LOT NO:	
 XXXXXXXXXXXXXXXXXXXXXXXX	
RoHS Compliant	