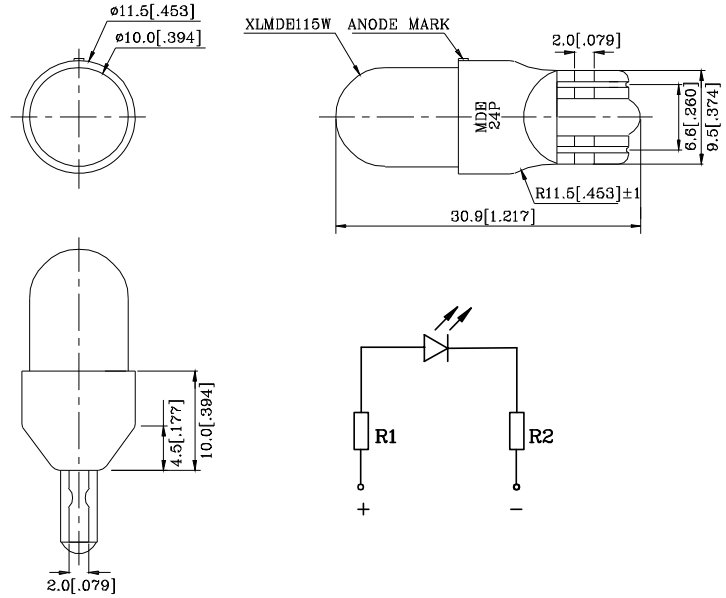


PRELIMINARY SPEC

**Features**

- BUILT-IN CURRENT LIMITING RESISTOR FOR DIRECT APPLICATION OF DIFFERENT ACROSS CURRENT.
- LONG LIFE.
- LOW CURRENT, POWER SAVINGS.
- LOW MAINTENANCE.
- SOLID STATE, HIGH VIBRATION RESISTANT.
- 24V INTERNAL RESISTOR.
- RoHS COMPLIANT.



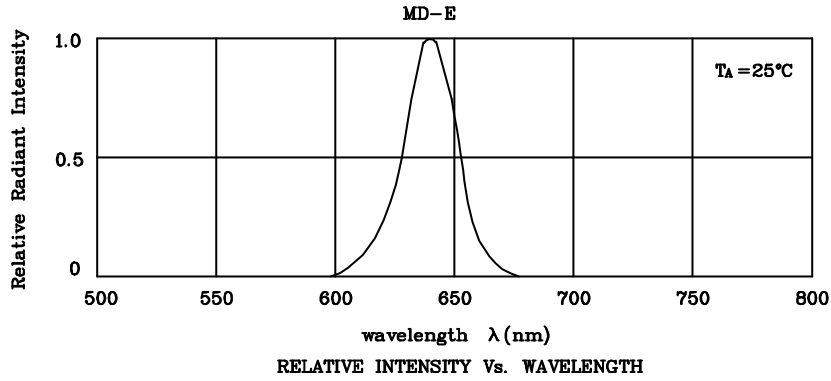
Notes:

1. All dimensions are in millimeters (inches).
2. Tolerance is  $\pm 0.25(0.01)$ " unless otherwise noted.
3. Specifications are subject to change without notice.

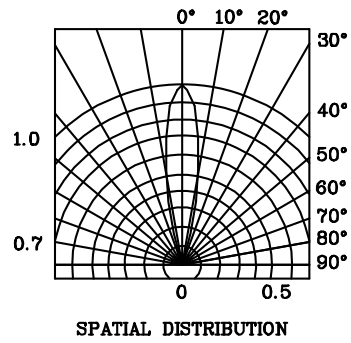
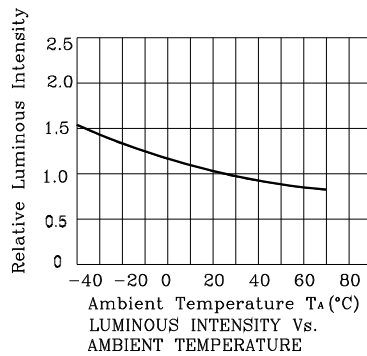
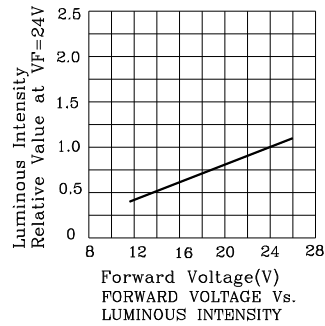
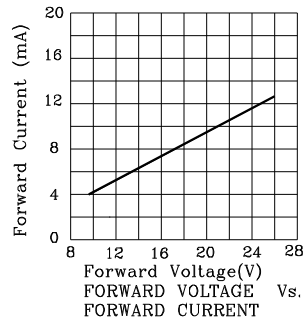
Absolute Maximum Ratings (TA=25°C)		MD-E (InGaAlP)	Unit
Reverse Voltage	VR	5	V
Forward Voltage	VF	26	V
Power Dissipation	PT	364	mW
Operating Temperature	TA	-40 ~ +70	°C
Storage Temperature	Tstg	-40 ~ +85	

Operating Characteristics (TA=25°C)		MD-E (InGaAlP)	Unit
Forward Current (Typ.) (VF=24V)	IF	11.6	mA
Forward Current (Max.) (VF=24V)	IF	14	mA
Reverse Current (Max.) (VR=5V)	IR	10	uA
Wavelength of Peak Emission (Typ.) (VF=24V)	$\lambda P$	640	nm
Wavelength of Dominant Emission (Typ.) (VF=24V)	$\lambda D$	630	nm
Spectral Line Full Width At Half-Maximum (Typ.) (VF=24V)	$\Delta\lambda$	25	nm

Part Number	Emitting Color	Emitting Material	Lens-color	Luminous Intensity (V=24V) med		Wavelength nm $\lambda P$	Viewing Angle 2 $\theta$ 1/2
				min.	typ.		
XYWMDE101W24V	Red	InGaAlP	Water Clear	1200	2490	640	20°

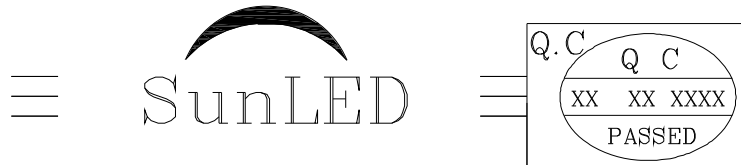
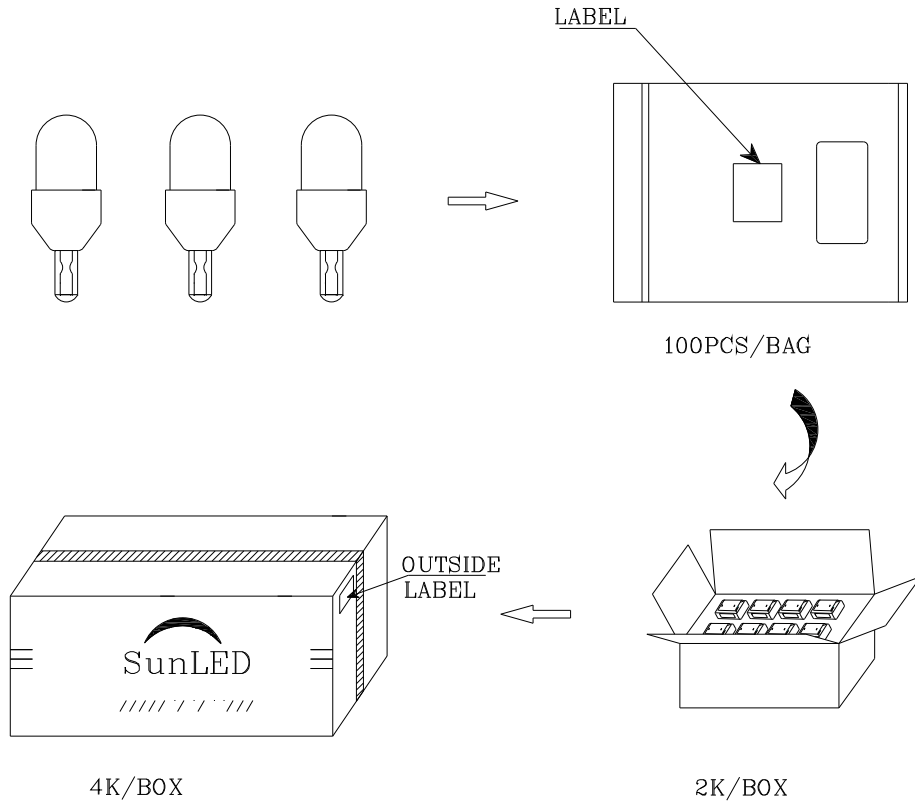



❖ MD-E



**PACKING & LABEL SPECIFICATIONS**

**XYWMDE101W24V**



P/N0 : XYWxxx101x	
QTY : 100 pcs	CODE: XXX
S/N : XX	
LOT NO:	
 XXXXXXXXXXXXXXXXXXXXXXXX	
RoHS Compliant	