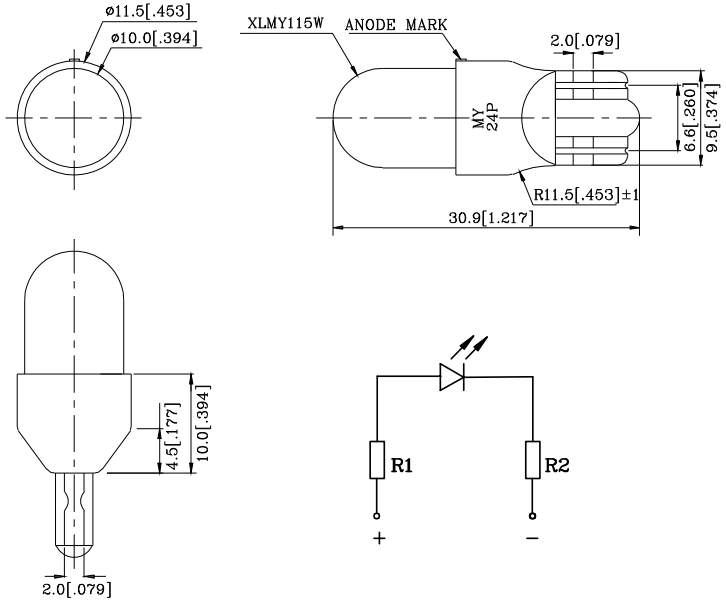


PRELIMINARY SPEC

Features

- BUILT-IN CURRENT LIMITING RESISTOR FOR DIRECT APPLICATION OF DIFFERENT ACROSS CURRENT.
- LONG LIFE.
- LOW CURRENT, POWER SAVINGS.
- LOW MAINTENANCE.
- SOLID STATE, HIGH VIBRATION RESISTANT.
- 24V INTERNAL RESISTOR.
- RoHS COMPLIANT.



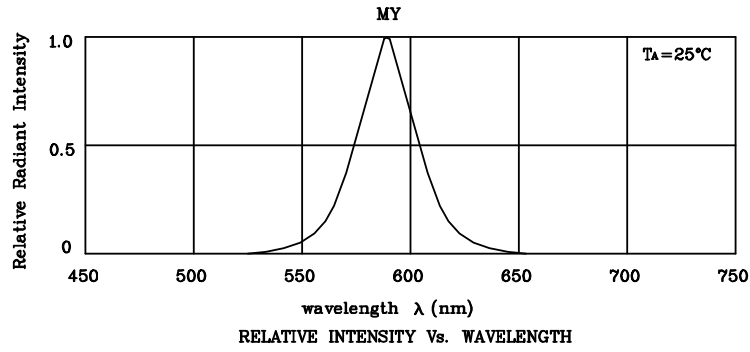
Notes:

1. All dimensions are in millimeters (inches).
2. Tolerance is $\pm 0.25(0.01)$ unless otherwise noted.
3. Specifications are subject to change without notice.

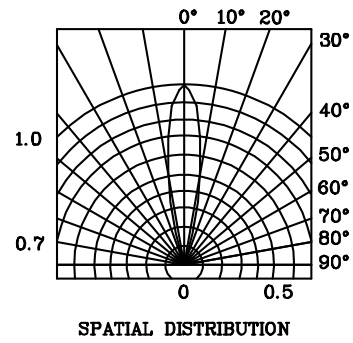
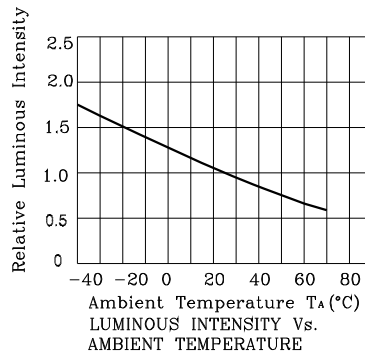
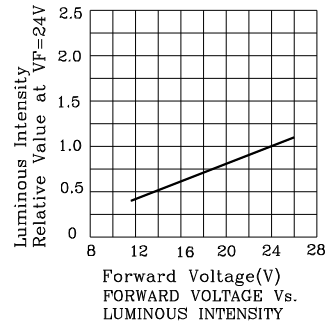
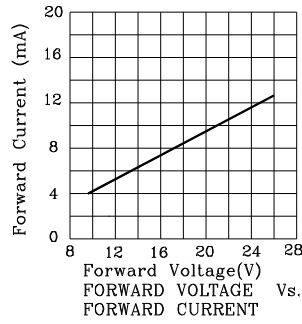
Absolute Maximum Ratings ($T_A=25^\circ\text{C}$)		MY (InGaAlP)	Unit
Reverse Voltage	V_R	5	V
Forward Voltage	V_F	26	V
Power Dissipation	P_T	364	mW
Operating Temperature	T_A	-40 ~ +70	°C
Storage Temperature	T_{stg}	-40 ~ +85	

Operating Characteristics ($T_A=25^\circ\text{C}$)		MY (InGaAlP)	Unit
Forward Current (Typ.) ($V_F=24\text{V}$)	I_F	11.6	mA
Forward Current (Max.) ($V_F=24\text{V}$)	I_F	14	mA
Reverse Current (Max.) ($V_R=5\text{V}$)	I_R	10	μA
Wavelength of Peak Emission (Typ.) ($V_F=24\text{V}$)	λ_P	590	nm
Wavelength of Dominant Emission (Typ.) ($V_F=24\text{V}$)	λ_D	588	nm
Spectral Line Full Width At Half-Maximum (Typ.) ($V_F=24\text{V}$)	$\Delta\lambda$	28	nm

Part Number	Emitting Color	Emitting Material	Lens-color	Luminous Intensity ($V=24\text{V}$) mcd		Wavelength nm λ_P	Viewing Angle 2θ 1/2
				min.	typ.		
XYWMY101W24V	Yellow	InGaAlP	Water Clear	650	1790	590	20°

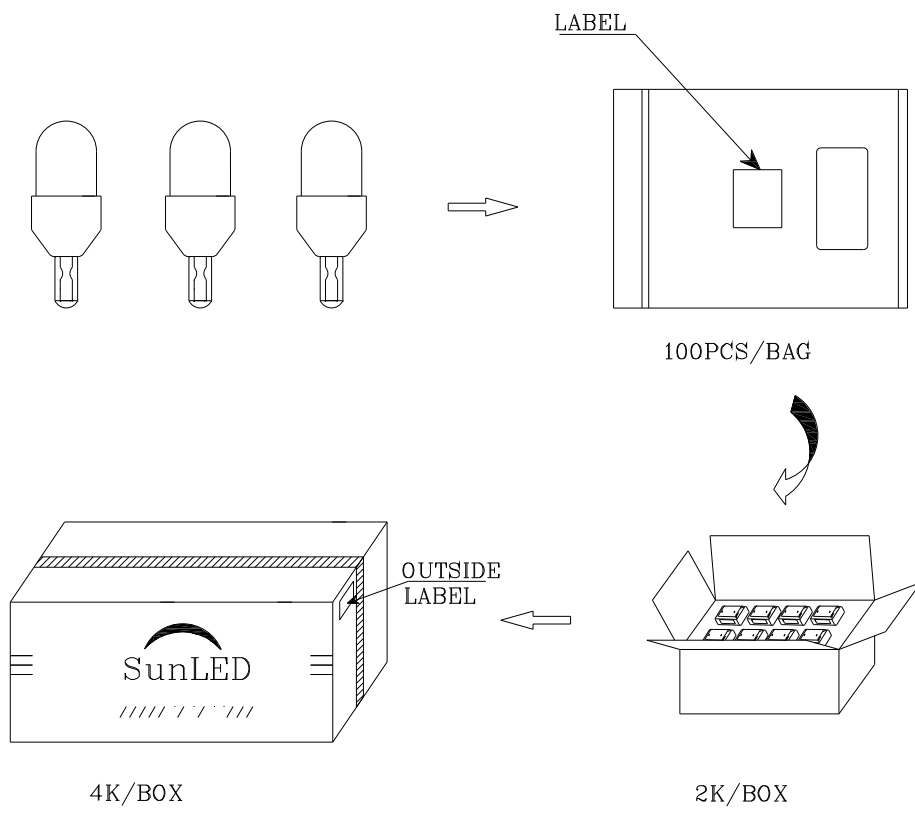



❖ MY



PACKING & LABEL SPECIFICATIONS

XYWMY101W24V



P/N0 : XYWxxx101x	
QTY : 100 pcs	CODE: XXX
S/N : XX	
LOT NO:	
 XXXXXXXXXXXXXXXXXXXXXXXX	
RoHS Compliant	