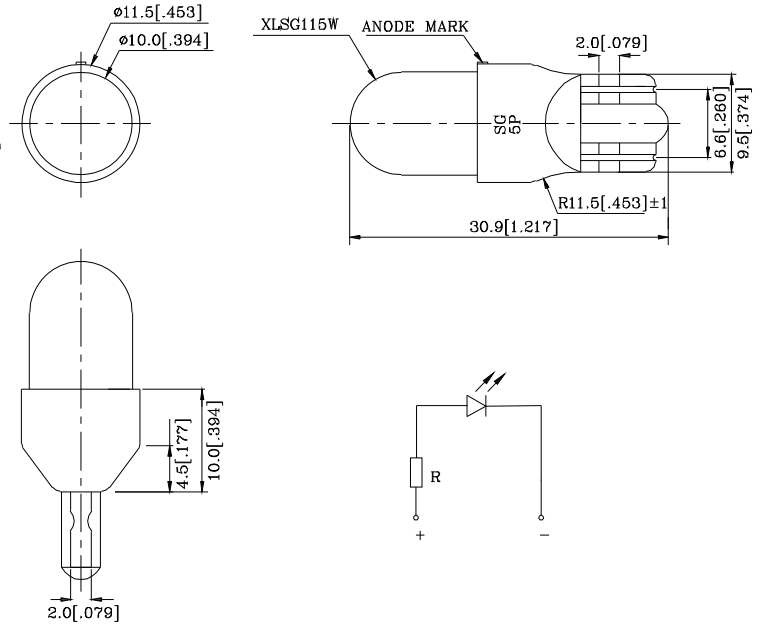




PRELIMINARY SPEC

**Features**

- BUILT-IN CURRENT LIMITING RESISTOR FOR DIRECT APPLICATION OF DIFFERENT ACROSS CURRENT.
- LONG LIFE.
- LOW CURRENT, POWER SAVINGS.
- LOW MAINTENANCE.
- SOLID STATE, HIGH VIBRATION RESISTANT.
- 5V INTERNAL RESISTOR.
- RoHS COMPLIANT.



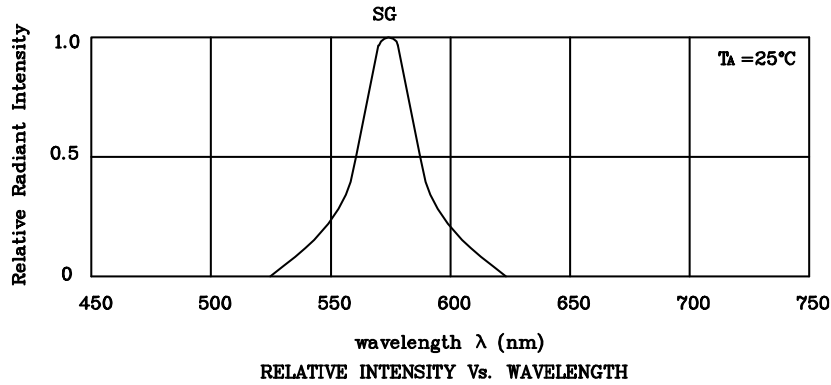
Notes:

1. All dimensions are in millimeters (inches).
2. Tolerance is  $\pm 0.25(0.01)$ " unless otherwise noted.
3. Specifications are subject to change without notice.

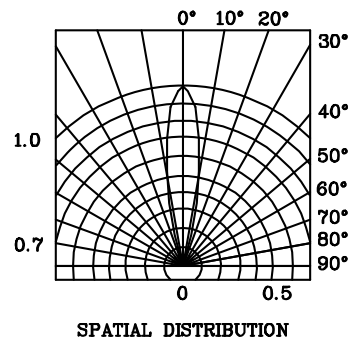
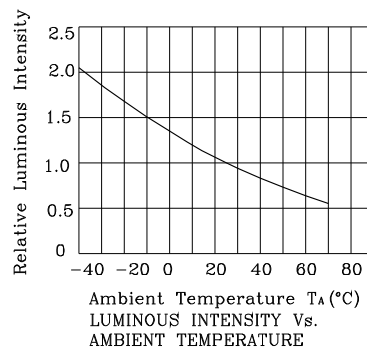
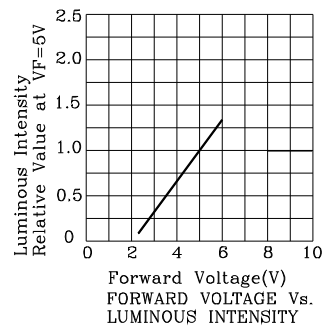
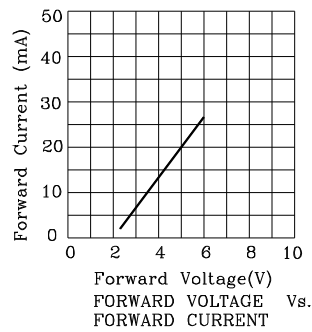
Absolute Maximum Ratings ( $T_A=25^\circ\text{C}$ )		SG (InGaAlP)	Unit
Reverse Voltage	$V_R$	5	V
Forward Voltage	$V_F$	6	V
Power Dissipation	$P_T$	162	mW
Operating Temperature	$T_A$	-40 ~ +70	°C
Storage Temperature	$T_{stg}$	-40 ~ +85	

Operating Characteristics ( $T_A=25^\circ\text{C}$ )		SG (InGaAlP)	Unit
Forward Current (Typ.) ( $V_F=5\text{V}$ )	$I_F$	20	mA
Forward Current (Max.) ( $V_F=5\text{V}$ )	$I_F$	27	mA
Reverse Current (Max.) ( $V_R=5\text{V}$ )	$I_R$	10	$\mu\text{A}$
Wavelength of Peak Emission (Typ.) ( $V_F=5\text{V}$ )	$\lambda_P$	574	nm
Wavelength of Dominant Emission (Typ.) ( $V_F=5\text{V}$ )	$\lambda_D$	568	nm
Spectral Line Full Width At Half-Maximum (Typ.) ( $V_F=5\text{V}$ )	$\Delta\lambda$	26	nm

Part Number	Emitting Color	Emitting Material	Lens-color	Luminous Intensity ( $V=5\text{V}$ ) mcd		Wavelength nm $\lambda_P$	Viewing Angle $2\theta$ 1/2
				min.	typ.		
XYWSG101W5V	Green	InGaAlP	Water Clear	380	1095	574	20°

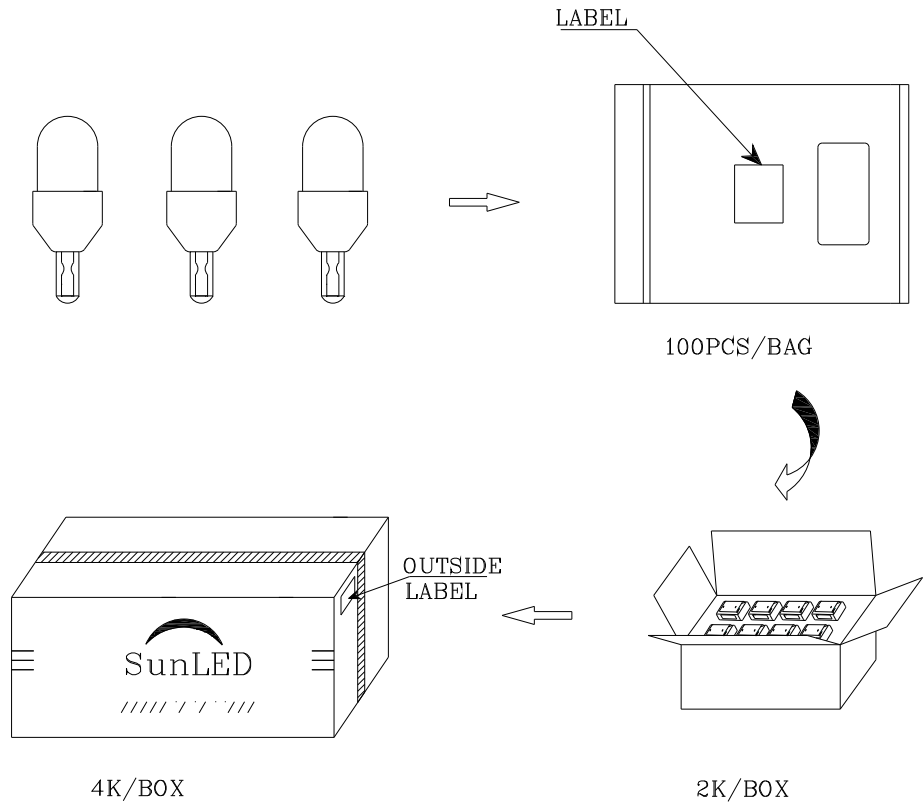

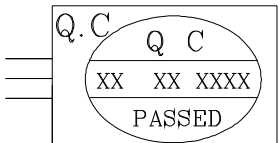



❖ SG



**PACKING & LABEL SPECIFICATIONS**

**XYWSG101W5V**

P/NO : XYWxxx101x	
QTY : 100 pcs	CODE: XXX
S/N : XX	
LOT NO:	
 xxxxxxxxxxxxxxxxxxxxxxxx	
RoHS Compliant	