

# Wound Chip Baluns

Conformity to RoHS Directive

## ATB Series ATB2012-75011

### FEATURES

- ATB2012-75011 is chip BALUN transformer developed for 75Ω impedance system.
- Input impedance is 75Ω.
- Impedance ration is 1:1.
- Frequency band width is 50MHz to 1.2GHz.(IL=1.2dB typ.)
- It is a product conforming to RoHS directive.

### APPLICATIONS

- Tuner for TV, mobile devices(e.g. DVB-T/H, ISDB-T)
- Power divider for STB and tuner

### PRODUCT IDENTIFICATION

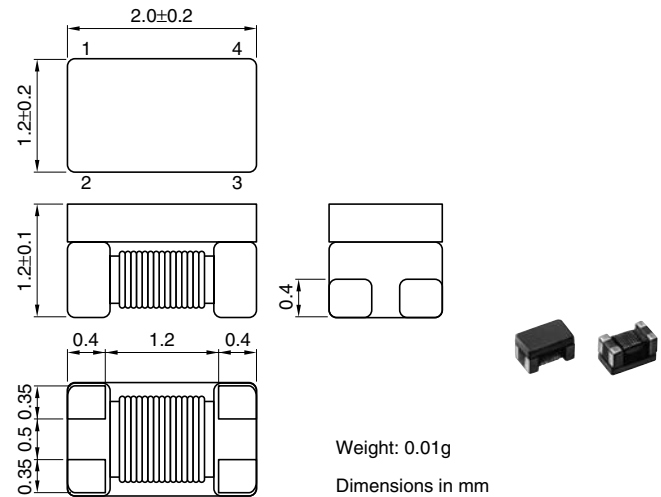
ATB	2012	-	750	-	11	-	T	□□
(1)	(2)	(3)	(4)	(5)	(6)			

- (1) Series name  
 (2) Case size  
 (3) Input impedance  
 750: 75Ω  
 (4) Impedance ratio  
 11: 1:1  
 (5) Packing style  
 T: Taping ø180mm reel  
 TL: Taping ø330mm reel  
 (6) Control mark

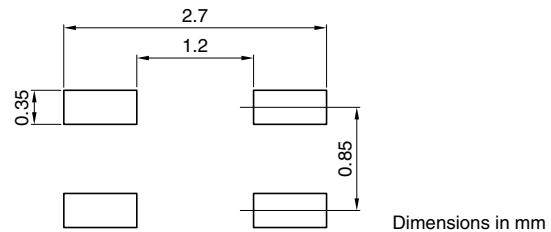
### PACKAGING STYLE AND QUANTITIES

Packaging style	Reel	Quantity
Taping	ø180mm	2000 pieces/reel
	ø330mm	10000 pieces/reel

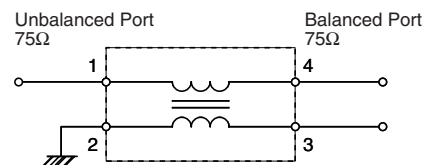
### SHAPES AND DIMENSIONS



### RECOMMENDED PC BOARD PATTERN



### CIRCUIT DIAGRAM



### ELECTRICAL CHARACTERISTICS

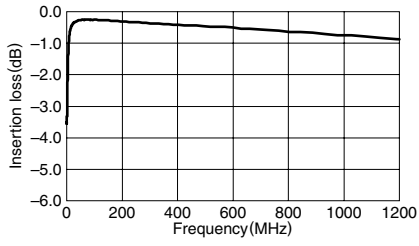
Part No.	Frequency range (MHz)	UB/B Impedance (Ω)	Insertion loss (dB) max.	CMRR min.	DC resistance (Ω)	Rated current (mA)	Rated voltage (V)	Insulation resistance (MΩ)	Withstanding voltage (V)
ATB2012-75011-T000	50 to 1200	75/75	1.2	20	0.7	280	20	10	125

• Conformity to RoHS Directive: This means that, in conformity with EU Directive 2002/95/EC, lead, cadmium, mercury, hexavalent chromium, and specific bromine-based flame retardants, PBB and PBDE, have not been used, except for exempted applications.

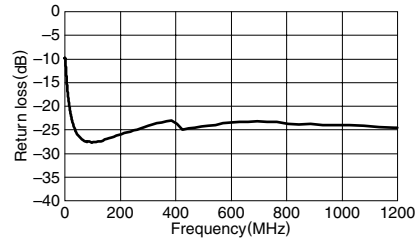
• All specifications are subject to change without notice.

### FREQUENCY CHARACTERISTICS

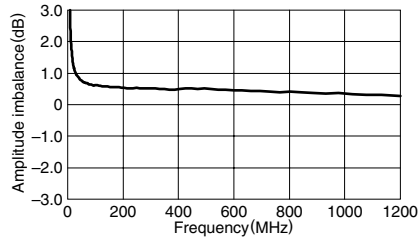
#### INSERTION LOSS



#### RETURN LOSS



#### AMPLITUDE IMBALANCE



#### PHASE BALANCE

