

## DS75176B/DS75176BT Multipoint RS-485/RS-422 Transceivers

 Check for Samples: [DS75176B](#), [DS75176BT](#)

### FEATURES

- Meets EIA Standard RS485 for Multipoint Bus Transmission and is Compatible with RS-422.
- Small Outline (SOIC) Package Option Available for Minimum Board Space.
- 22 ns Driver Propagation Delays.
- Single +5V Supply.
- -7V to +12V Bus Common Mode Range Permits  $\pm 7V$  Ground Difference Between Devices on the Bus.
- Thermal Shutdown Protection.
- High Impedance to Bus with Driver in TRI-STATE or with Power Off, Over the Entire Common Mode Range Allows the Unused Devices on the Bus to be Powered Down.
- Pin Out Compatible with DS3695/A and SN75176A/B.
- Combined Impedance of a Driver Output and Receiver Input is Less Than One RS485 Unit Load, Allowing up to 32 Transceivers on the Bus.
- 70 mV Typical Receiver Hysteresis.

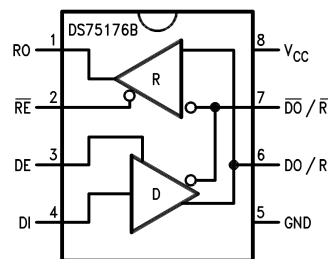
### DESCRIPTION

The DS75176B is a high speed differential TRI-STATE<sup>®</sup> bus/line transceiver designed to meet the requirements of EIA standard RS485 with extended common mode range (+12V to -7V), for multipoint data transmission. In addition, it is compatible with RS-422.

The driver and receiver outputs feature TRI-STATE capability, for the driver outputs over the entire common mode range of +12V to -7V. Bus contention or fault situations that cause excessive power dissipation within the device are handled by a thermal shutdown circuit, which forces the driver outputs into the high impedance state.

DC specifications are guaranteed over the 0 to 70°C temperature and 4.75V to 5.25V supply voltage range.

### Connection and Logic Diagram



**Figure 1. Top View**  
See Package Number P0008E or D0008A



These devices have limited built-in ESD protection. The leads should be shorted together or the device placed in conductive foam during storage or handling to prevent electrostatic damage to the MOS gates.



Please be aware that an important notice concerning availability, standard warranty, and use in critical applications of Texas Instruments semiconductor products and disclaimers thereto appears at the end of this data sheet.

TRI-STATE is a registered trademark of Texas Instruments.  
All other trademarks are the property of their respective owners.

**Absolute Maximum Ratings** <sup>(1)(2)</sup>

Supply Voltage, $V_{CC}$		7V
Control Input Voltages		7V
Driver Input Voltage		7V
Driver Output Voltages		+15V/ -10V
Receiver Input Voltages (DS75176B)		+15V/ -10V
Receiver Output Voltage		5.5V
Continuous Power Dissipation @ 25°C	for SOIC Package	675 mW <sup>(3)</sup>
	for PDIP Package	900 mW <sup>(4)</sup>
Storage Temperature Range		-65°C to +150°C
Lead Temperature (Soldering, 4 seconds)		260°C
ESD Rating (HBM)		500V

- (1) "Absolute Maximum Ratings" are those beyond which the safety of the device cannot be verified. They are not meant to imply that the device should be operated at these limits. The tables of "Electrical Characteristics" provide conditions for actual device operation.
- (2) If Military/Aerospace specified devices are required, please contact the TI Sales Office/Distributors for availability and specifications.
- (3) Derate linearly @ 6.11 mW/°C to 400 mW at 70°C.
- (4) Derate linearly at 5.56 mW/°C to 650 mW at 70°C.

**Recommended Operating Conditions**

	Min	Max	Units
Supply Voltage, $V_{CC}$	4.75	5.25	V
Voltage at Any Bus Terminal (Separate or Common Mode)	-7	+12	V
Operating Free Air Temperature $T_A$			
DS75176B	0	+70	°C
DS75176BT	-40	+85	°C
Differential Input Voltage, VID <sup>(1)</sup>	-12	+12	V

- (1) Differential - Input/Output bus voltage is measured at the noninverting terminal A with respect to the inverting terminal B.

**Electrical Characteristics** <sup>(1) (2)</sup>

0°C ≤  $T_A$  ≤ 70°C, 4.75V <  $V_{CC}$  < 5.25V unless otherwise specified

Symbol	Parameter	Conditions	Min	Typ	Max	Units				
$V_{OD1}$	Differential Driver Output Voltage (Unloaded)	$I_O = 0$			5	V				
$V_{OD2}$	Differential Driver Output Voltage (with Load)	See (Figure 2)								
			R = 50Ω; (RS-422) <sup>(3)</sup>	2		V				
					1.5	V				
$\Delta V_{OD}$	Change in Magnitude of Driver Differential Output Voltage For Complementary Output States	See (Figure 2)			0.2	V				
$V_{OC}$	Driver Common Mode Output Voltage						R = 27Ω		3.0	V
$\Delta V_{OC} $	Change in Magnitude of Driver Common Mode Output Voltage For Complementary Output States								0.2	V

- (1) All currents into device pins are positive; all currents out of device pins are negative. All voltages are referenced to device ground unless otherwise specified.
- (2) All typicals are given for  $V_{CC} = 5V$  and  $T_A = 25°C$ .
- (3) All worst case parameters for which this note is applied, must be increased by 10% for DS75176BT. The other parameters remain valid for -40°C <  $T_A$  < +85°C.

**Electrical Characteristics <sup>(1)</sup> <sup>(2)</sup> (continued)**
 $0^{\circ}\text{C} \leq T_A \leq 70^{\circ}\text{C}$ ,  $4.75\text{V} < V_{CC} < 5.25\text{V}$  unless otherwise specified

Symbol	Parameter		Conditions	Min	Typ	Max	Units
$V_{IH}$	Input High Voltage			2			V
$V_{IL}$	Input Low Voltage					0.8	
$V_{CL}$	Input Clamp Voltage					-1.5	
$I_{IL}$	Input Low Current		$I_{IN} = -18\text{ mA}$			-200	$\mu\text{A}$
$I_{IH}$	Input High Current		$V_{IL} = 0.4\text{V}$			20	$\mu\text{A}$
$I_{IN}$	Input Current	DO/RI, $\overline{\text{DO}}/\overline{\text{RI}}$	$V_{CC} = 0\text{V}$ or $5.25\text{V}$			+1.0	mA
			DE = 0V	$V_{IN} = 12\text{V}$			-0.8
$V_{TH}$	Differential Input Threshold Voltage for Receiver		$-7\text{V} \leq V_{CM} \leq +12\text{V}$	-0.2		+0.2	V
$\Delta V_{TH}$	Receiver Input Hysteresis		$V_{CM} = 0\text{V}$		70		mV
$V_{OH}$	Receiver Output High Voltage		$I_{OH} = -400\ \mu\text{A}$	2.7			V
$V_{OL}$	Output Low Voltage	RO	$I_{OL} = 16\text{ mA}^{(3)}$			0.5	V
$I_{OZR}$	OFF-State (High Impedance) Output Current at Receiver		$V_{CC} = \text{Max}$ $0.4\text{V} \leq V_O \leq 2.4\text{V}$			$\pm 20$	$\mu\text{A}$
$R_{IN}$	Receiver Input Resistance		$-7\text{V} \leq V_{CM} \leq +12\text{V}$	12			k $\Omega$
$I_{CC}$	Supply Current		No Load <sup>(3)</sup>			55	mA
			Driver Outputs Enabled			35	mA
$I_{OSD}$	Driver Short-Circuit Output Current		$V_O = -7\text{V}^{(3)}$			-250	mA
			$V_O = +12\text{V}^{(3)}$			+250	mA
$I_{OSR}$	Receiver Short-Circuit Output Current		$V_O = 0\text{V}$	-15		-85	mA

**Switching Characteristics**
 $V_{CC} = 5.0\text{V}$ ,  $T_A = 25^{\circ}\text{C}$ 

Symbol	Parameter	Conditions	Min	Typ	Max	Units
$t_{PLH}$	Driver Input to Output	$R_{L\text{DIFF}} = 60\ \Omega$		12	22	ns
$t_{PHL}$	Driver Input to Output	$C_{L1} = C_{L2} = 100\ \text{pF}$		17	22	ns
$t_r$	Driver Rise Time	$R_{L\text{DIFF}} = 60\ \Omega$			18	ns
$t_f$	Driver Fall Time	$C_{L1} = C_{L2} = 100\ \text{pF}$ (Figure 4 and Figure 6)			18	ns
$t_{ZH}$	Driver Enable to Output High	$C_L = 100\ \text{pF}$ (Figure 5 and Figure 7) S1 Open		29	100	ns
$t_{ZL}$	Driver Enable to Output Low	$C_L = 100\ \text{pF}$ (Figure 5 and Figure 7) S2 Open		31	60	ns
$t_{LZ}$	Driver Disable Time from Low	$C_L = 15\ \text{pF}$ (Figure 5 and Figure 7) S2 Open		13	30	ns
$t_{HZ}$	Driver Disable Time from High	$C_L = 15\ \text{pF}$ (Figure 5 and Figure 7) S1 Open		19	200	ns
$t_{PLH}$	Receiver Input to Output	$C_L = 15\ \text{pF}$ (Figure 3 and Figure 8) S1 and S2 Closed		30	37	ns
$t_{PHL}$	Receiver Input to Output			32	37	ns
$t_{ZL}$	Receiver Enable to Output Low	$C_L = 15\ \text{pF}$ (Figure 3 and Figure 9) S2 Open		15	20	ns
$t_{ZH}$	Receiver Enable to Output High	$C_L = 15\ \text{pF}$ (Figure 3 and Figure 9) S1 Open		11	20	ns
$t_{LZ}$	Receiver Disable from Low	$C_L = 15\ \text{pF}$ (Figure 3 and Figure 9) S2 Open		28	32	ns
$t_{HZ}$	Receiver Disable from High	$C_L = 15\ \text{pF}$ (Figure 3 and Figure 9) S1 Open		13	35	ns

### AC TEST CIRCUITS

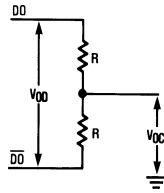
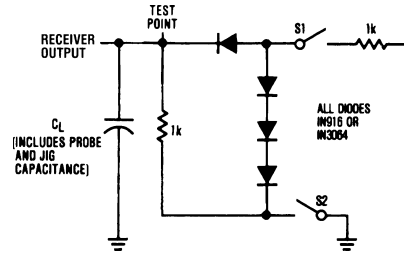


Figure 2.



Note: S1 and S2 of load circuit are closed except as otherwise mentioned.

Figure 3.

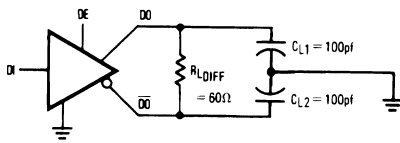
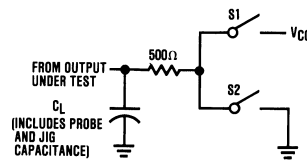


Figure 4.



Note: Unless otherwise specified the switches are closed.

Figure 5.

### Switching Time Waveforms

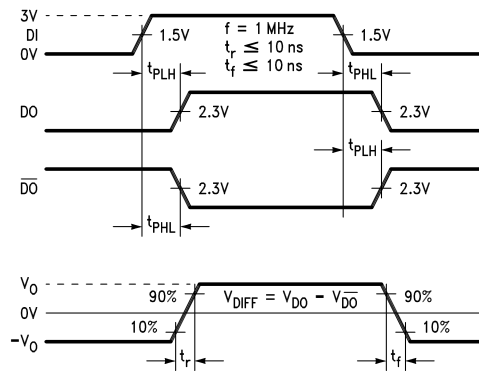


Figure 6. Driver Propagation Delays and Transition Times

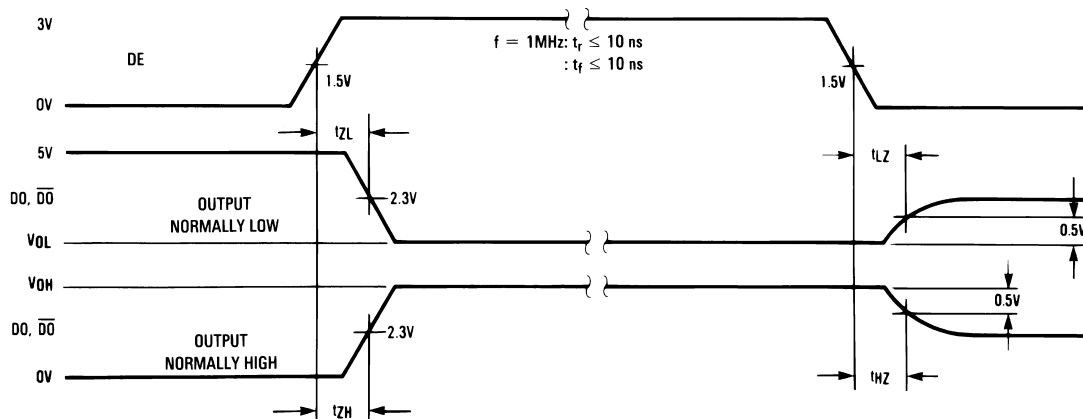
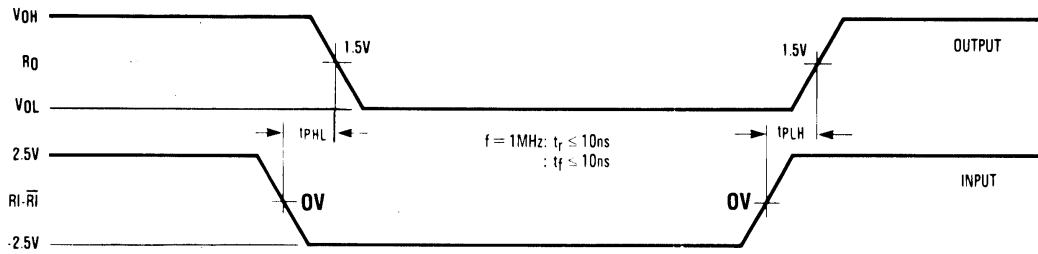


Figure 7. Driver Enable and Disable Times



Note: Differential input voltage may be realized by grounding  $\overline{R1}$  and pulsing  $R1$  between +2.5V and -2.5V

Figure 8. Receiver Propagation Delays

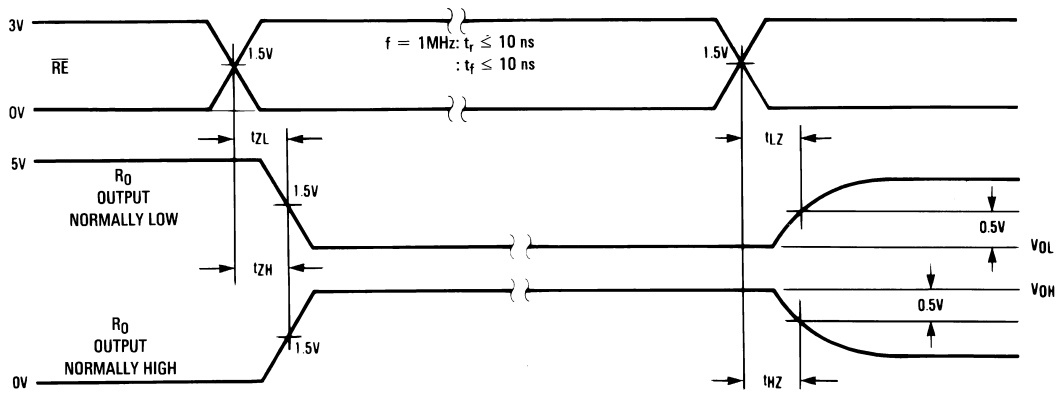


Figure 9. Receiver Enable and Disable Times

Function Tables

Table 1. DS75176B Transmitting<sup>(1)</sup>

Inputs			Line Condition	Outputs	
$\overline{RE}$	DE	DI		$\overline{DO}$	DO
X	1	1	No Fault	0	1
X	1	0	No Fault	1	0
X	0	X	X	Z	Z
X	1	X	Fault	Z	Z

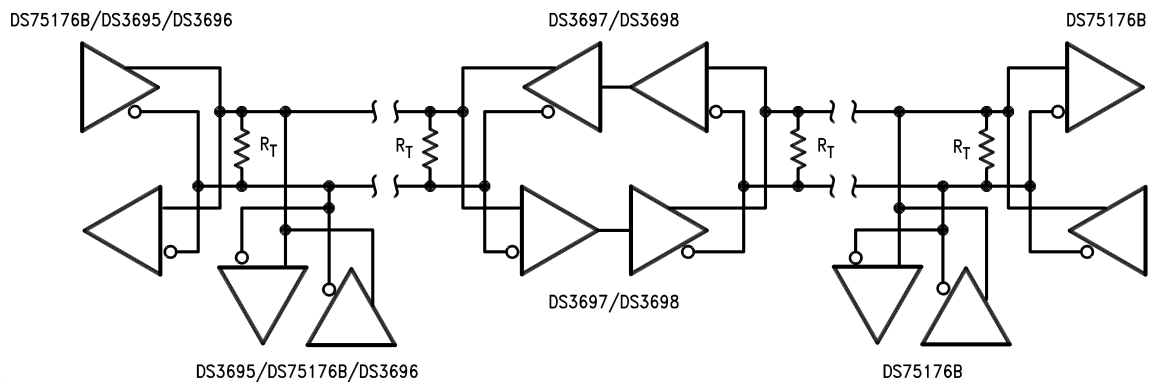
(1) X — Don't care condition  
 Z — High impedance state  
 Fault — Improper line conditions causing excessive power dissipation in the driver, such as shorts or bus contention situations  
 \*\*This is a fail safe condition

**Table 2. DS75176B Receiving<sup>(1)</sup>**

Inputs			Outputs
$\overline{RE}$	DE	RI- $\overline{RI}$	RO
0	0	$\geq +0.2V$	1
0	0	$\leq -0.2V$	0
0	0	Inputs Open**	1
1	0	X	Z

- (1) X — Don't care condition  
 Z — High impedance state  
 Fault — Improper line conditions causing excessive power dissipation in the driver, such as shorts or bus contention situations  
 \*\*This is a fail safe condition

**TYPICAL APPLICATION**



---

## REVISION HISTORY

Changes from Revision B (April 2013) to Revision C	Page
<ul style="list-style-type: none"><li>• Changed layout of National Data Sheet to TI format .....</li></ul>	<a href="#">6</a>

---

**PACKAGING INFORMATION**

Orderable Device	Status (1)	Package Type	Package Drawing	Pins	Package Qty	Eco Plan (2)	Lead/Ball Finish (6)	MSL Peak Temp (3)	Op Temp (°C)	Device Marking (4/5)	Samples
DS75176BM	NRND	SOIC	D	8	95	TBD	Call TI	Call TI	0 to 70	DS75176BM	
DS75176BM/NOPB	ACTIVE	SOIC	D	8	95	Green (RoHS & no Sb/Br)	CU SN	Level-1-260C-UNLIM	0 to 70	DS75176BM	<a href="#">Samples</a>
DS75176BMX	NRND	SOIC	D	8	2500	TBD	Call TI	Call TI	0 to 70	DS75176BM	
DS75176BMX/NOPB	ACTIVE	SOIC	D	8	2500	Green (RoHS & no Sb/Br)	CU SN	Level-1-260C-UNLIM	0 to 70	DS75176BM	<a href="#">Samples</a>
DS75176BN	LIFEBUY	PDIP	P	8	40	TBD	Call TI	Call TI	0 to 70	DS75176BN	
DS75176BN/NOPB	ACTIVE	PDIP	P	8	40	Green (RoHS & no Sb/Br)	CU SN	Level-1-NA-UNLIM	0 to 70	DS75176BN	<a href="#">Samples</a>
DS75176BTM	NRND	SOIC	D	8	95	TBD	Call TI	Call TI	-40 to 85	DS75176BTM	
DS75176BTM/NOPB	ACTIVE	SOIC	D	8	95	Green (RoHS & no Sb/Br)	CU SN	Level-1-260C-UNLIM	-40 to 85	DS75176BTM	<a href="#">Samples</a>
DS75176BTMX	NRND	SOIC	D	8	2500	TBD	Call TI	Call TI	-40 to 85	DS75176BTM	
DS75176BTMX/NOPB	ACTIVE	SOIC	D	8	2500	Green (RoHS & no Sb/Br)	CU SN	Level-1-260C-UNLIM	-40 to 85	DS75176BTM	<a href="#">Samples</a>
DS75176BTN	LIFEBUY	PDIP	P	8	40	TBD	Call TI	Call TI	-40 to 85	DS75176BTN	
DS75176BTN/NOPB	ACTIVE	PDIP	P	8	40	Green (RoHS & no Sb/Br)	CU SN	Level-1-NA-UNLIM	-40 to 85	DS75176BTN	<a href="#">Samples</a>

(1) The marketing status values are defined as follows:

**ACTIVE:** Product device recommended for new designs.

**LIFEBUY:** TI has announced that the device will be discontinued, and a lifetime-buy period is in effect.

**NRND:** Not recommended for new designs. Device is in production to support existing customers, but TI does not recommend using this part in a new design.

**PREVIEW:** Device has been announced but is not in production. Samples may or may not be available.

**OBSELETE:** TI has discontinued the production of the device.

(2) Eco Plan - The planned eco-friendly classification: Pb-Free (RoHS), Pb-Free (RoHS Exempt), or Green (RoHS & no Sb/Br) - please check <http://www.ti.com/productcontent> for the latest availability information and additional product content details.

**TBD:** The Pb-Free/Green conversion plan has not been defined.

**Pb-Free (RoHS):** TI's terms "Lead-Free" or "Pb-Free" mean semiconductor products that are compatible with the current RoHS requirements for all 6 substances, including the requirement that lead not exceed 0.1% by weight in homogeneous materials. Where designed to be soldered at high temperatures, TI Pb-Free products are suitable for use in specified lead-free processes.



---

**Pb-Free (RoHS Exempt):** This component has a RoHS exemption for either 1) lead-based flip-chip solder bumps used between the die and package, or 2) lead-based die adhesive used between the die and leadframe. The component is otherwise considered Pb-Free (RoHS compatible) as defined above.

**Green (RoHS & no Sb/Br):** TI defines "Green" to mean Pb-Free (RoHS compatible), and free of Bromine (Br) and Antimony (Sb) based flame retardants (Br or Sb do not exceed 0.1% by weight in homogeneous material)

<sup>(3)</sup> MSL, Peak Temp. - The Moisture Sensitivity Level rating according to the JEDEC industry standard classifications, and peak solder temperature.

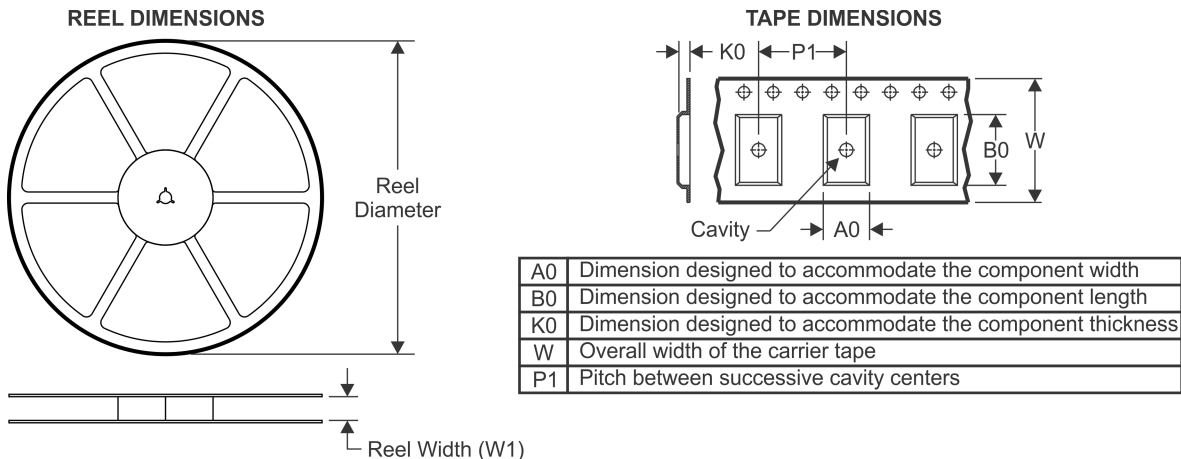
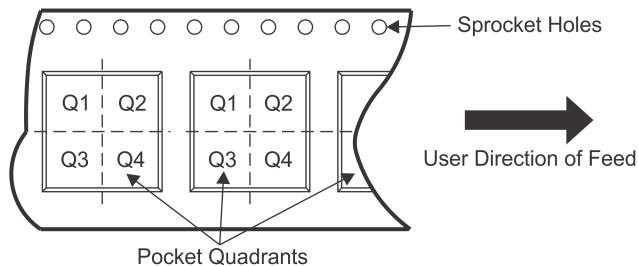
<sup>(4)</sup> There may be additional marking, which relates to the logo, the lot trace code information, or the environmental category on the device.

<sup>(5)</sup> Multiple Device Markings will be inside parentheses. Only one Device Marking contained in parentheses and separated by a "~" will appear on a device. If a line is indented then it is a continuation of the previous line and the two combined represent the entire Device Marking for that device.

<sup>(6)</sup> Lead/Ball Finish - Orderable Devices may have multiple material finish options. Finish options are separated by a vertical ruled line. Lead/Ball Finish values may wrap to two lines if the finish value exceeds the maximum column width.

**Important Information and Disclaimer:** The information provided on this page represents TI's knowledge and belief as of the date that it is provided. TI bases its knowledge and belief on information provided by third parties, and makes no representation or warranty as to the accuracy of such information. Efforts are underway to better integrate information from third parties. TI has taken and continues to take reasonable steps to provide representative and accurate information but may not have conducted destructive testing or chemical analysis on incoming materials and chemicals. TI and TI suppliers consider certain information to be proprietary, and thus CAS numbers and other limited information may not be available for release.

In no event shall TI's liability arising out of such information exceed the total purchase price of the TI part(s) at issue in this document sold by TI to Customer on an annual basis.

**TAPE AND REEL INFORMATION**

**QUADRANT ASSIGNMENTS FOR PIN 1 ORIENTATION IN TAPE**


\*All dimensions are nominal

Device	Package Type	Package Drawing	Pins	SPQ	Reel Diameter (mm)	Reel Width W1 (mm)	A0 (mm)	B0 (mm)	K0 (mm)	P1 (mm)	W (mm)	Pin1 Quadrant
DS75176BMX	SOIC	D	8	2500	330.0	12.4	6.5	5.4	2.0	8.0	12.0	Q1
DS75176BMX/NOPB	SOIC	D	8	2500	330.0	12.4	6.5	5.4	2.0	8.0	12.0	Q1
DS75176BTMX	SOIC	D	8	2500	330.0	12.4	6.5	5.4	2.0	8.0	12.0	Q1
DS75176BTMX/NOPB	SOIC	D	8	2500	330.0	12.4	6.5	5.4	2.0	8.0	12.0	Q1

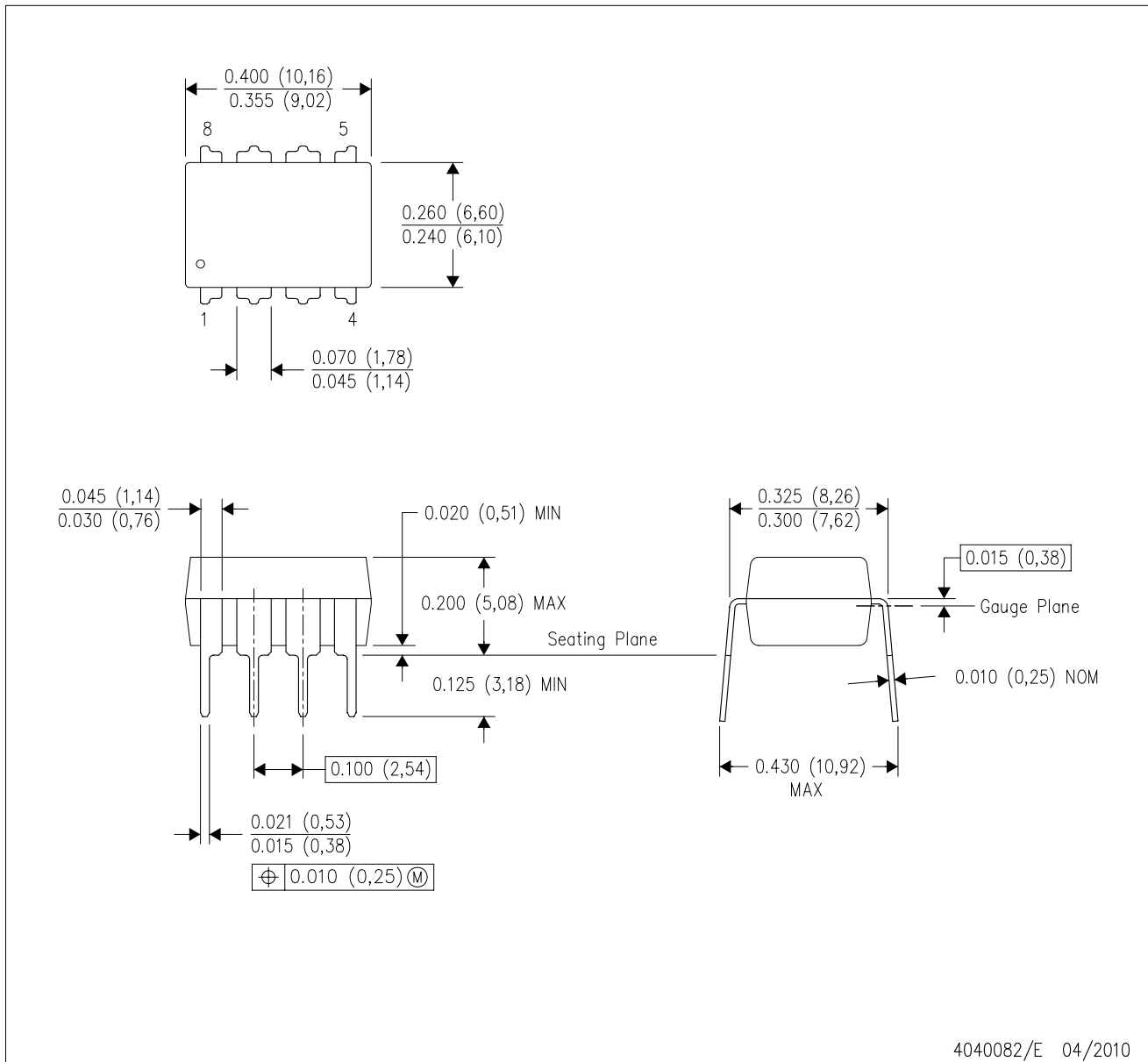
**TAPE AND REEL BOX DIMENSIONS**


\*All dimensions are nominal

Device	Package Type	Package Drawing	Pins	SPQ	Length (mm)	Width (mm)	Height (mm)
DS75176BMX	SOIC	D	8	2500	367.0	367.0	35.0
DS75176BMX/NOPB	SOIC	D	8	2500	367.0	367.0	35.0
DS75176BTMX	SOIC	D	8	2500	367.0	367.0	35.0
DS75176BTMX/NOPB	SOIC	D	8	2500	367.0	367.0	35.0

P (R-PDIP-T8)

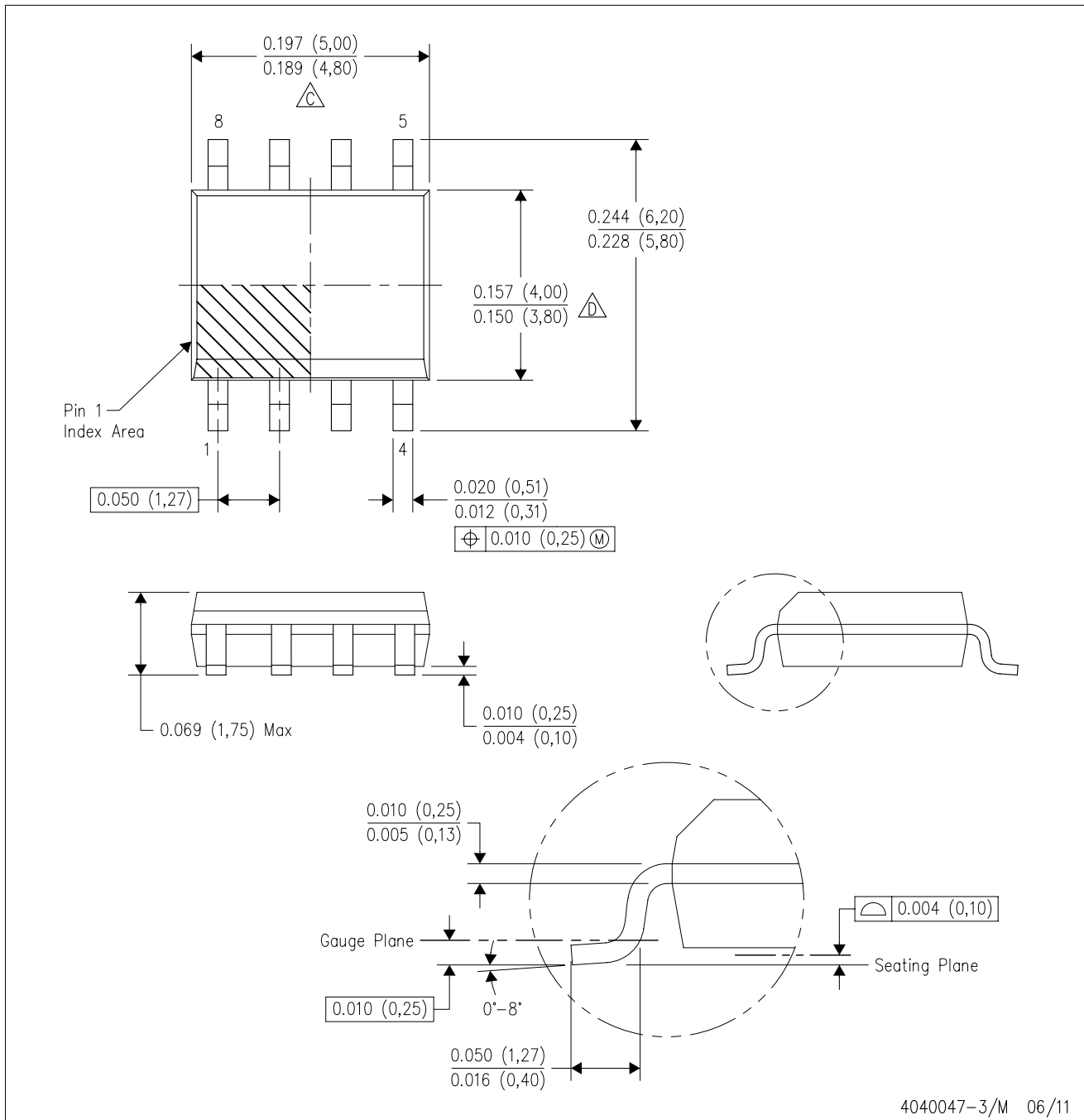
PLASTIC DUAL-IN-LINE PACKAGE



- NOTES:
- A. All linear dimensions are in inches (millimeters).
  - B. This drawing is subject to change without notice.
  - C. Falls within JEDEC MS-001 variation BA.

D (R-PDSO-G8)

PLASTIC SMALL OUTLINE



4040047-3/M 06/11

## IMPORTANT NOTICE

Texas Instruments Incorporated and its subsidiaries (TI) reserve the right to make corrections, enhancements, improvements and other changes to its semiconductor products and services per JESD46, latest issue, and to discontinue any product or service per JESD48, latest issue. Buyers should obtain the latest relevant information before placing orders and should verify that such information is current and complete. All semiconductor products (also referred to herein as "components") are sold subject to TI's terms and conditions of sale supplied at the time of order acknowledgment.

TI warrants performance of its components to the specifications applicable at the time of sale, in accordance with the warranty in TI's terms and conditions of sale of semiconductor products. Testing and other quality control techniques are used to the extent TI deems necessary to support this warranty. Except where mandated by applicable law, testing of all parameters of each component is not necessarily performed.

TI assumes no liability for applications assistance or the design of Buyers' products. Buyers are responsible for their products and applications using TI components. To minimize the risks associated with Buyers' products and applications, Buyers should provide adequate design and operating safeguards.

TI does not warrant or represent that any license, either express or implied, is granted under any patent right, copyright, mask work right, or other intellectual property right relating to any combination, machine, or process in which TI components or services are used. Information published by TI regarding third-party products or services does not constitute a license to use such products or services or a warranty or endorsement thereof. Use of such information may require a license from a third party under the patents or other intellectual property of the third party, or a license from TI under the patents or other intellectual property of TI.

Reproduction of significant portions of TI information in TI data books or data sheets is permissible only if reproduction is without alteration and is accompanied by all associated warranties, conditions, limitations, and notices. TI is not responsible or liable for such altered documentation. Information of third parties may be subject to additional restrictions.

Resale of TI components or services with statements different from or beyond the parameters stated by TI for that component or service voids all express and any implied warranties for the associated TI component or service and is an unfair and deceptive business practice. TI is not responsible or liable for any such statements.

Buyer acknowledges and agrees that it is solely responsible for compliance with all legal, regulatory and safety-related requirements concerning its products, and any use of TI components in its applications, notwithstanding any applications-related information or support that may be provided by TI. Buyer represents and agrees that it has all the necessary expertise to create and implement safeguards which anticipate dangerous consequences of failures, monitor failures and their consequences, lessen the likelihood of failures that might cause harm and take appropriate remedial actions. Buyer will fully indemnify TI and its representatives against any damages arising out of the use of any TI components in safety-critical applications.

In some cases, TI components may be promoted specifically to facilitate safety-related applications. With such components, TI's goal is to help enable customers to design and create their own end-product solutions that meet applicable functional safety standards and requirements. Nonetheless, such components are subject to these terms.

No TI components are authorized for use in FDA Class III (or similar life-critical medical equipment) unless authorized officers of the parties have executed a special agreement specifically governing such use.

Only those TI components which TI has specifically designated as military grade or "enhanced plastic" are designed and intended for use in military/aerospace applications or environments. Buyer acknowledges and agrees that any military or aerospace use of TI components which have **not** been so designated is solely at the Buyer's risk, and that Buyer is solely responsible for compliance with all legal and regulatory requirements in connection with such use.

TI has specifically designated certain components as meeting ISO/TS16949 requirements, mainly for automotive use. In any case of use of non-designated products, TI will not be responsible for any failure to meet ISO/TS16949.

### Products

Audio	<a href="http://www.ti.com/audio">www.ti.com/audio</a>
Amplifiers	<a href="http://amplifier.ti.com">amplifier.ti.com</a>
Data Converters	<a href="http://dataconverter.ti.com">dataconverter.ti.com</a>
DLP® Products	<a href="http://www.dlp.com">www.dlp.com</a>
DSP	<a href="http://dsp.ti.com">dsp.ti.com</a>
Clocks and Timers	<a href="http://www.ti.com/clocks">www.ti.com/clocks</a>
Interface	<a href="http://interface.ti.com">interface.ti.com</a>
Logic	<a href="http://logic.ti.com">logic.ti.com</a>
Power Mgmt	<a href="http://power.ti.com">power.ti.com</a>
Microcontrollers	<a href="http://microcontroller.ti.com">microcontroller.ti.com</a>
RFID	<a href="http://www.ti-rfid.com">www.ti-rfid.com</a>
OMAP Applications Processors	<a href="http://www.ti.com/omap">www.ti.com/omap</a>
Wireless Connectivity	<a href="http://www.ti.com/wirelessconnectivity">www.ti.com/wirelessconnectivity</a>

### Applications

Automotive and Transportation	<a href="http://www.ti.com/automotive">www.ti.com/automotive</a>
Communications and Telecom	<a href="http://www.ti.com/communications">www.ti.com/communications</a>
Computers and Peripherals	<a href="http://www.ti.com/computers">www.ti.com/computers</a>
Consumer Electronics	<a href="http://www.ti.com/consumer-apps">www.ti.com/consumer-apps</a>
Energy and Lighting	<a href="http://www.ti.com/energy">www.ti.com/energy</a>
Industrial	<a href="http://www.ti.com/industrial">www.ti.com/industrial</a>
Medical	<a href="http://www.ti.com/medical">www.ti.com/medical</a>
Security	<a href="http://www.ti.com/security">www.ti.com/security</a>
Space, Avionics and Defense	<a href="http://www.ti.com/space-avionics-defense">www.ti.com/space-avionics-defense</a>
Video and Imaging	<a href="http://www.ti.com/video">www.ti.com/video</a>

### TI E2E Community

[e2e.ti.com](http://e2e.ti.com)