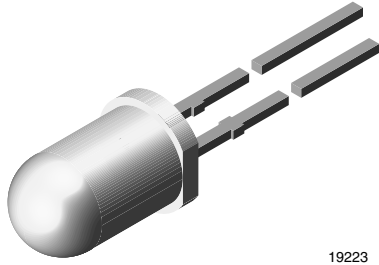




# Ultrabright LED, Ø 5 mm Untinted Non-Diffused Package



19223

## DESCRIPTION

The TLC.58.. series is a clear, non-diffused 5 mm LED for high end applications where supreme luminous intensity required.

These lamps with clear untinted plastic case utilize the highly developed ultrabright AllnGaP (AS).

The lens and the viewing angle is optimized to achieve best performance of light output and visibility.

## PRODUCT GROUP AND PACKAGE DATA

- Product group: LED
- Package: 5 mm
- Product series: power
- Angle of half intensity:  $\pm 4^\circ$

## FEATURES

- Untinted non-diffused lens
- Utilizing ultrabright AllnGaP (AS)
- High luminous intensity
- High operating temperature:  $T_j$  (chip junction temperature) up to 125 °C for AllnGaP devices
- Luminous intensity and color categorized for each packing unit
- ESD-withstand voltage: up to 2 kV according to JESD22-A114-B
- Material categorization: for definitions of compliance please see [www.vishay.com/doc?99912](http://www.vishay.com/doc?99912)



## APPLICATIONS

- Interior and exterior lighting
- Outdoor LED panels
- Instrumentation and front panel indicators
- Central high mounted stop lights (CHMSL) for motor vehicles
- Replaces incandescent lamps
- Traffic signals
- Light guide design

| PARTS TABLE   |        |                          |        |      |               |                 |      |      |               |                     |      |      |               |                 |
|---------------|--------|--------------------------|--------|------|---------------|-----------------|------|------|---------------|---------------------|------|------|---------------|-----------------|
| PART          | COLOR  | LUMINOUS INTENSITY (mcd) |        |      | at $I_F$ (mA) | WAVELENGTH (nm) |      |      | at $I_F$ (mA) | FORWARD VOLTAGE (V) |      |      | at $I_F$ (mA) | TECHNOLOGY      |
|               |        | MIN.                     | TYP.   | MAX. |               | MIN.            | TYP. | MAX. |               | MIN.                | TYP. | MAX. |               |                 |
| TLCR5800      | Red    | 7500                     | 35 000 | -    | 50            | 611             | 616  | 622  | 50            | -                   | 2.1  | 2.7  | 50            | AllnGaP on GaAs |
| TLCR5800-AS21 | Red    | 7500                     | 35 000 | -    | 50            | 611             | 616  | 622  | 50            | -                   | 2.1  | 2.7  | 50            | AllnGaP on GaAs |
| TLCY5800      | Yellow | 5750                     | 25 000 | -    | 50            | 585             | 590  | 597  | 50            | -                   | 2.1  | 2.7  | 50            | AllnGaP on GaAs |

| ABSOLUTE MAXIMUM RATINGS ( $T_{amb} = 25^\circ\text{C}$ , unless otherwise specified)<br>TLCR5800, TLCY5800 |                                       |            |             |      |
|---|---------------------------------------|------------|-------------|------|
| PARAMETER   | TEST CONDITION                        | SYMBOL     | VALUE       | UNIT |
| Reverse voltage <sup>(1)</sup>  |                                       | $V_R$      | 5           | V    |
| DC forward current  | $T_{amb} \leq 85^\circ\text{C}$       | $I_F$      | 50          | mA   |
| Surge forward current   | $t_p \leq 10 \mu\text{s}$             | $I_{FSM}$  | 1           | A    |
| Power dissipation   |                                       | $P_V$      | 135         | mW   |
| Junction temperature  |                                       | $T_j$      | 125         | °C   |
| Operating temperature range   |                                       | $T_{amb}$  | -40 to +100 | °C   |
| Storage temperature range   |                                       | $T_{stg}$  | -40 to +100 | °C   |
| Soldering temperature   | $t \leq 5 \text{ s}$ , 2 mm from body | $T_{sd}$   | 260         | °C   |
| Thermal resistance junction/ambient   |                                       | $R_{thJA}$ | 300         | K/W  |

### Note

<sup>(1)</sup> Driving the LED in reverse direction is suitable for a short term application



| OPTICAL AND ELECTRICAL CHARACTERISTICS (T <sub>amb</sub> = 25 °C, unless otherwise specified) |                        |          |                             |      |        |      |      |
|---|------------------------|----------|-----------------------------|------|--------|------|------|
| TLCR5800, RED   |                        |          |                             |      |        |      |      |
| PARAMETER   | TEST CONDITION         | PART     | SYMBOL                      | MIN. | TYP.   | MAX. | UNIT |
| Luminous intensity <sup>(1)</sup>   | I <sub>F</sub> = 50 mA | TLCR5800 | I <sub>v</sub>              | 7500 | 35 000 | -    | mcd  |
| Dominant wavelength   | I <sub>F</sub> = 50 mA |          | λ <sub>d</sub>              | 611  | 616    | 622  | nm   |
| Peak wavelength   | I <sub>F</sub> = 50 mA |          | λ <sub>p</sub>              | -    | 622    | -    | nm   |
| Spectral bandwidth at 50 % I <sub>rel max.</sub>  | I <sub>F</sub> = 50 mA |          | Δλ                          | -    | 18     | -    | nm   |
| Angle of half intensity   | I <sub>F</sub> = 50 mA |          | φ                           | -    | ± 4    | -    | deg  |
| Forward voltage   | I <sub>F</sub> = 50 mA |          | V <sub>F</sub>              | -    | 2.1    | 2.7  | V    |
| Reverse voltage   | I <sub>R</sub> = 10 μA |          | V <sub>R</sub>              | 5    | -      | -    | V    |
| Temperature coefficient of V <sub>F</sub>   | I <sub>F</sub> = 50 mA |          | TC <sub>V<sub>F</sub></sub> | -    | -3.5   | -    | mV/K |
| Temperature coefficient of λ <sub>d</sub>   | I <sub>F</sub> = 50 mA |          | TCλ <sub>d</sub>            | -    | 0.05   | -    | nm/K |

**Note**

<sup>(1)</sup> In one packing unit I<sub>Vmin.</sub>/I<sub>Vmax.</sub> ≤ 0.5

| OPTICAL AND ELECTRICAL CHARACTERISTICS (T <sub>amb</sub> = 25 °C, unless otherwise specified) |                        |          |                             |      |        |      |      |
|---|------------------------|----------|-----------------------------|------|--------|------|------|
| TLCY5800, YELLOW  |                        |          |                             |      |        |      |      |
| PARAMETER   | TEST CONDITION         | PART     | SYMBOL                      | MIN. | TYP.   | MAX. | UNIT |
| Luminous intensity <sup>(1)</sup>   | I <sub>F</sub> = 50 mA | TLCY5800 | I <sub>v</sub>              | 5750 | 25 000 | -    | mcd  |
| Dominant wavelength   | I <sub>F</sub> = 50 mA |          | λ <sub>d</sub>              | 585  | 590    | 597  | nm   |
| Peak wavelength   | I <sub>F</sub> = 50 mA |          | λ <sub>p</sub>              | -    | 593    | -    | nm   |
| Spectral bandwidth at 50 % I <sub>rel max.</sub>  | I <sub>F</sub> = 50 mA |          | Δλ                          | -    | 17     | -    | nm   |
| Angle of half intensity   | I <sub>F</sub> = 50 mA |          | φ                           | -    | ± 4    | -    | deg  |
| Forward voltage   | I <sub>F</sub> = 50 mA |          | V <sub>F</sub>              | -    | 2.1    | 2.7  | V    |
| Reverse voltage   | I <sub>R</sub> = 10 μA |          | V <sub>R</sub>              | 5    | -      | -    | V    |
| Temperature coefficient of V <sub>F</sub>   | I <sub>F</sub> = 50 mA |          | TC <sub>V<sub>F</sub></sub> | -    | -3.5   | -    | mV/K |
| Temperature coefficient of λ <sub>d</sub>   | I <sub>F</sub> = 50 mA |          | TCλ <sub>d</sub>            | -    | 0.1    | -    | nm/K |

**Note**

<sup>(1)</sup> In one packing unit I<sub>Vmin.</sub>/I<sub>Vmax.</sub> ≤ 0.5

| LUMINOUS INTENSITY CLASSIFICATION |                       |         |
|-----------------------------------|-----------------------|---------|
| GROUP                             | LIGHT INTENSITY (mcd) |         |
|                                   | MIN.                  | MAX.    |
| FF                                | 1350                  | 2700    |
| GG                                | 1800                  | 3600    |
| HH                                | 2400                  | 4800    |
| II                                | 3200                  | 6400    |
| KK                                | 4300                  | 8600    |
| LL                                | 5750                  | 11 500  |
| MM                                | 7500                  | 15 000  |
| NN                                | 10 000                | 20 000  |
| PP                                | 13 500                | 27 000  |
| QQ                                | 18 000                | 36 000  |
| RR                                | 24 000                | 48 000  |
| SS                                | 32 000                | 64 000  |
| TT                                | 43 000                | 86 000  |
| UU                                | 57 500                | 115 000 |

**Note**

- Luminous intensity is tested at a current pulse duration of 25 ms and an accuracy of ± 11 %.
- The above type numbers represent the order groups which include only a few brightness groups. Only one group will be shipped on each bag (there will be no mixing of two groups on each bag).
- In order to ensure availability, single brightness groups will not be orderable.
- In a similar manner for colors where wavelength groups are measured and binned, single wavelength groups will be shipped in any one bag.
- In order to ensure availability, single wavelength groups will not be orderable.

| COLOR CLASSIFICATION |                      |      |      |      |
|----------------------|----------------------|------|------|------|
| GROUP                | DOM. WAVELENGTH (nm) |      |      |      |
|                      | YELLOW               |      | RED  |      |
|                      | MIN.                 | MAX. | MIN. | MAX. |
| 0                    | 585                  | 588  |      |      |
| 1                    | 587                  | 591  | 611  | 618  |
| 2                    | 589                  | 594  | 614  | 622  |
| 3                    | 592                  | 597  |      |      |

**Note**

- Wavelengths are tested at a current pulse duration of 25 ms and an accuracy of ± 1 nm.

**TYPICAL CHARACTERISTICS** ( $T_{amb} = 25\text{ }^{\circ}\text{C}$ , unless otherwise specified)

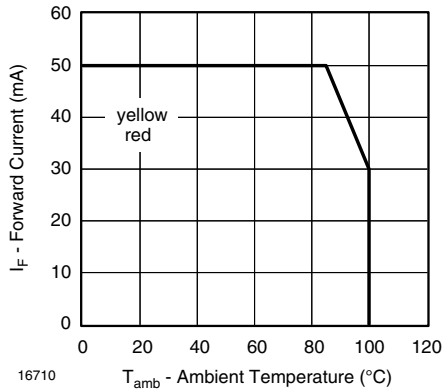


Fig. 1 - Forward Current vs. Ambient Temperature

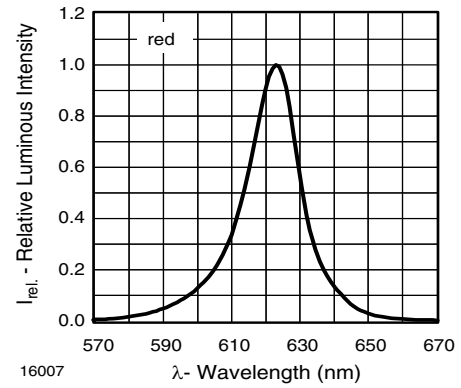


Fig. 4 - Relative Intensity vs. Wavelength

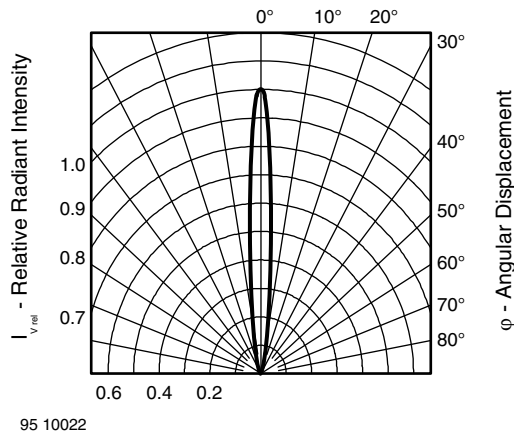


Fig. 2 - Relative Luminous Intensity vs. Angular Displacement

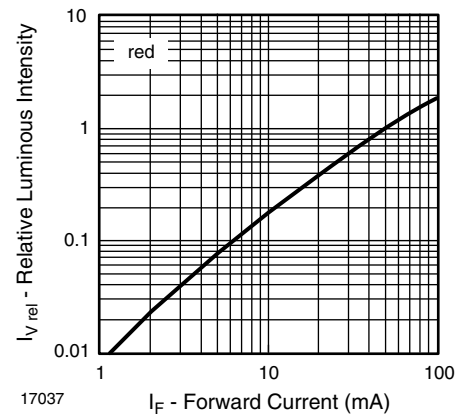


Fig. 5 - Relative Luminous Flux vs. Forward Current

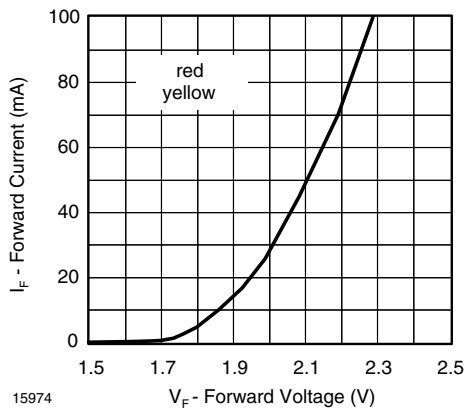


Fig. 3 - Forward Current vs. Forward Voltage

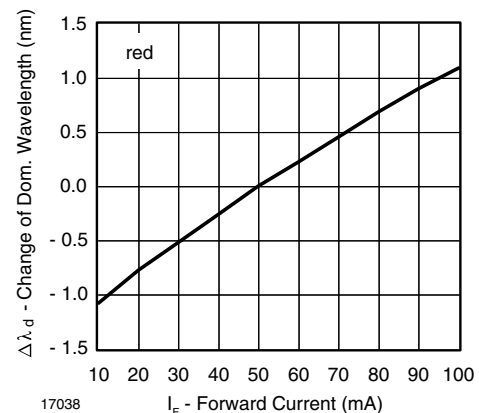


Fig. 6 - Changes of Dominant Wavelength vs. Forward Current

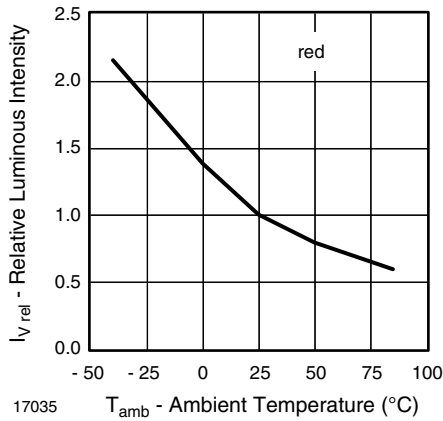


Fig. 7 - Relative Luminous Intensity vs. Ambient Temperature

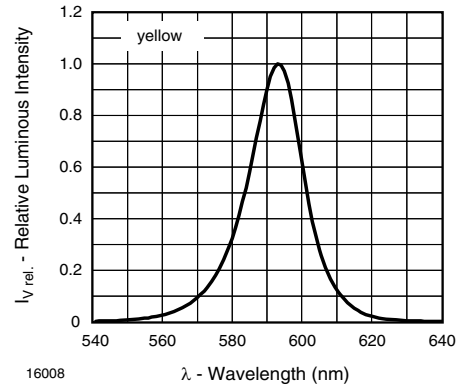


Fig. 10 - Relative Intensity vs. Wavelength

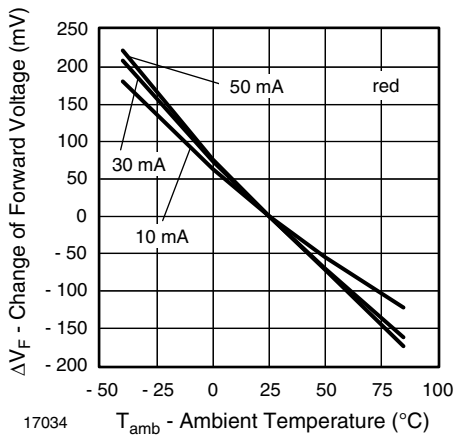


Fig. 8 - Change of Forward Voltage vs. Ambient Temperature

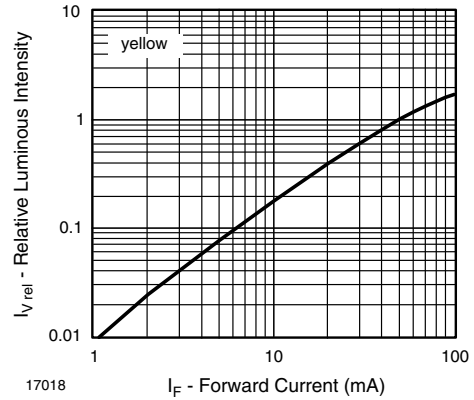


Fig. 11 - Relative Luminous Flux vs. Forward Current

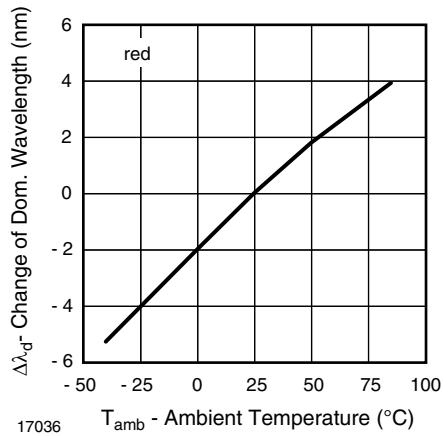


Fig. 9 - Change of Dominant Wavelength vs. Ambient Temperature

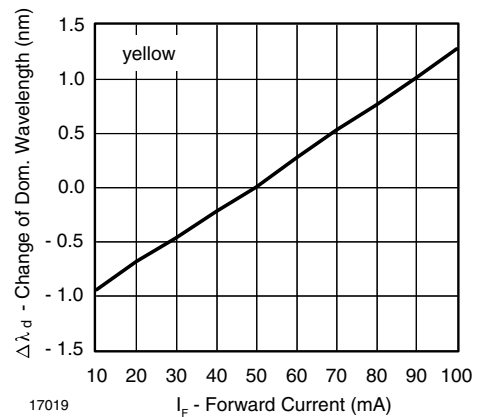


Fig. 12 - Change of Dominant Wavelength vs. Forward Current

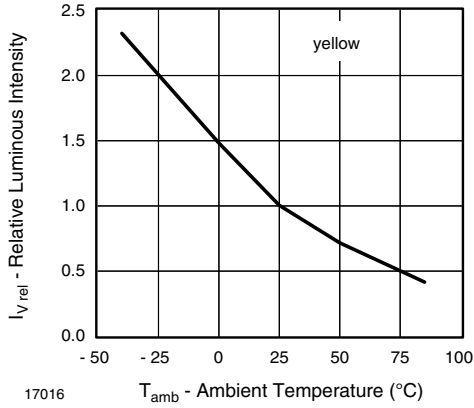


Fig. 13 - Relative Luminous Intensity vs. Ambient Temperature

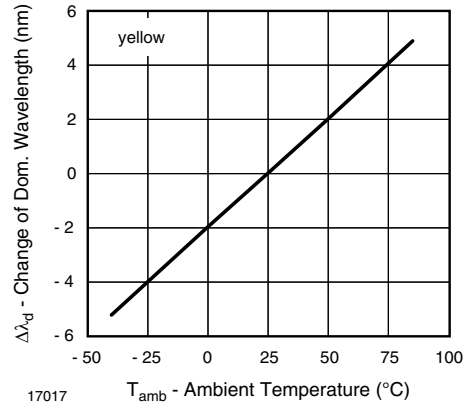


Fig. 15 - Change of Dominant Wavelength vs. Ambient Temperature

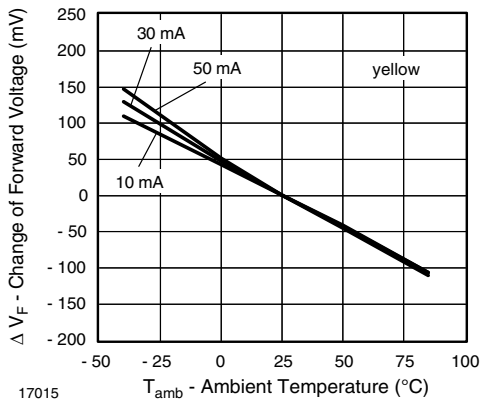
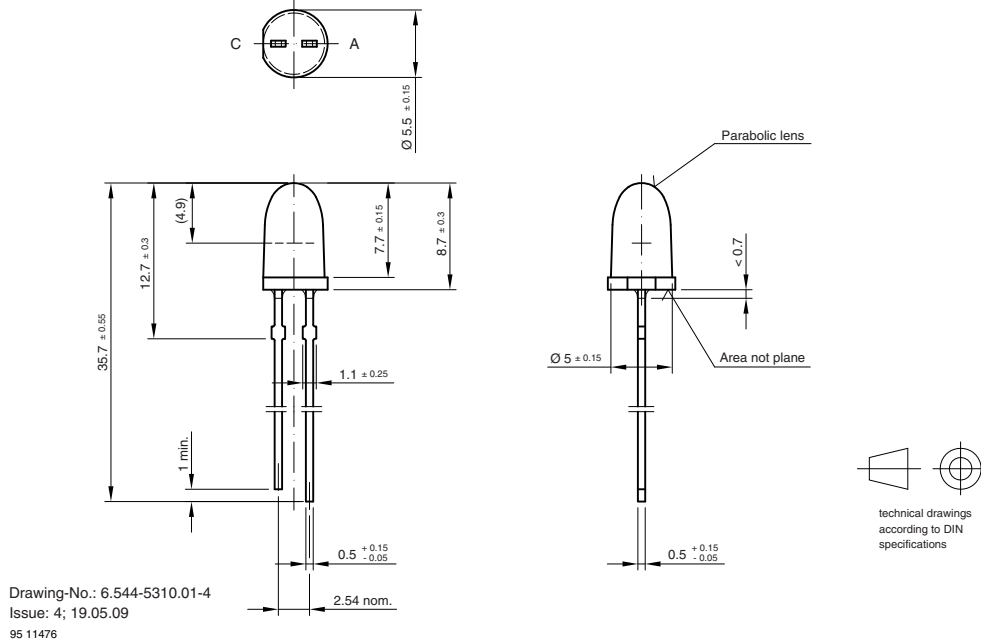


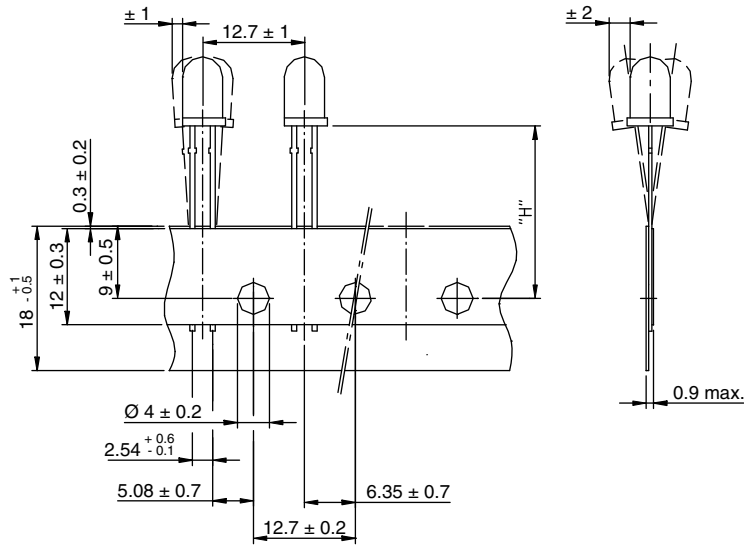
Fig. 14 - Change of Forward Voltage vs. Ambient Temperature

## PACKAGE DIMENSIONS in millimeters





**TAPE DIMENSIONS** in millimeters



Measure limit over 20 index-holes: ± 1

|               |                         |
|---------------|-------------------------|
| Quantity per: | Reel<br>(Mat.-no. 1764) |
|               | 1000                    |

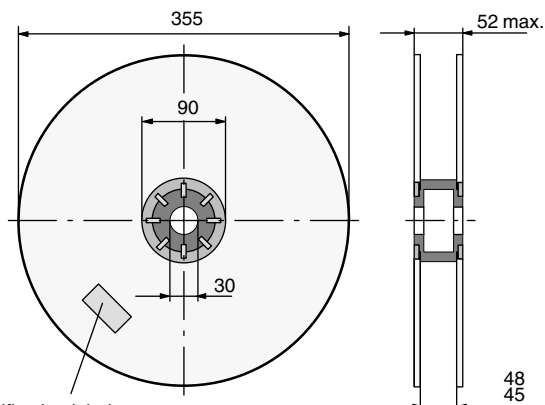
94 8172

|        |                   |
|--------|-------------------|
| Option | Dim. "H" ± 0.5 mm |
| AS     | 17.3              |

**Explanation**

- 12 - cathode leaves first
- 21 - anode leaves first

**REEL**

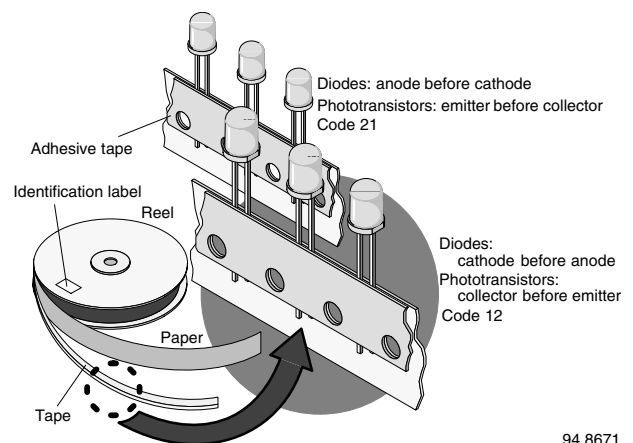


Identification label:  
Vishay/type/group/tape code/production code/quantity

948641

Fig. 16 - Reel Dimensions

**TAPE**



94 8671

Fig. 17 - LED in Tape



## Disclaimer

ALL PRODUCT, PRODUCT SPECIFICATIONS AND DATA ARE SUBJECT TO CHANGE WITHOUT NOTICE TO IMPROVE RELIABILITY, FUNCTION OR DESIGN OR OTHERWISE.

Vishay Intertechnology, Inc., its affiliates, agents, and employees, and all persons acting on its or their behalf (collectively, "Vishay"), disclaim any and all liability for any errors, inaccuracies or incompleteness contained in any datasheet or in any other disclosure relating to any product.

Vishay makes no warranty, representation or guarantee regarding the suitability of the products for any particular purpose or the continuing production of any product. To the maximum extent permitted by applicable law, Vishay disclaims (i) any and all liability arising out of the application or use of any product, (ii) any and all liability, including without limitation special, consequential or incidental damages, and (iii) any and all implied warranties, including warranties of fitness for particular purpose, non-infringement and merchantability.

Statements regarding the suitability of products for certain types of applications are based on Vishay's knowledge of typical requirements that are often placed on Vishay products in generic applications. Such statements are not binding statements about the suitability of products for a particular application. It is the customer's responsibility to validate that a particular product with the properties described in the product specification is suitable for use in a particular application. Parameters provided in datasheets and/or specifications may vary in different applications and performance may vary over time. All operating parameters, including typical parameters, must be validated for each customer application by the customer's technical experts. Product specifications do not expand or otherwise modify Vishay's terms and conditions of purchase, including but not limited to the warranty expressed therein.

Except as expressly indicated in writing, Vishay products are not designed for use in medical, life-saving, or life-sustaining applications or for any other application in which the failure of the Vishay product could result in personal injury or death. Customers using or selling Vishay products not expressly indicated for use in such applications do so at their own risk. Please contact authorized Vishay personnel to obtain written terms and conditions regarding products designed for such applications.

No license, express or implied, by estoppel or otherwise, to any intellectual property rights is granted by this document or by any conduct of Vishay. Product names and markings noted herein may be trademarks of their respective owners.

## Material Category Policy

**Vishay Intertechnology, Inc. hereby certifies that all its products that are identified as RoHS-Compliant fulfill the definitions and restrictions defined under Directive 2011/65/EU of The European Parliament and of the Council of June 8, 2011 on the restriction of the use of certain hazardous substances in electrical and electronic equipment (EEE) - recast, unless otherwise specified as non-compliant.**

**Please note that some Vishay documentation may still make reference to RoHS Directive 2002/95/EC. We confirm that all the products identified as being compliant to Directive 2002/95/EC conform to Directive 2011/65/EU.**

**Vishay Intertechnology, Inc. hereby certifies that all its products that are identified as Halogen-Free follow Halogen-Free requirements as per JEDEC JS709A standards. Please note that some Vishay documentation may still make reference to the IEC 61249-2-21 definition. We confirm that all the products identified as being compliant to IEC 61249-2-21 conform to JEDEC JS709A standards.**